



Fall Protection



EN795.2012
Type B

CE Type Test

No. 2797
BSI
The Netherlands B.V.
Say Building
John M. Keynesplein 9
1066 EP
Amsterdam
Netherlands

CE Product Quality Control

No. 2797
BSI
The Netherlands B.V.
Say Building
John M. Keynesplein 9
1066 EP
Amsterdam
Netherlands

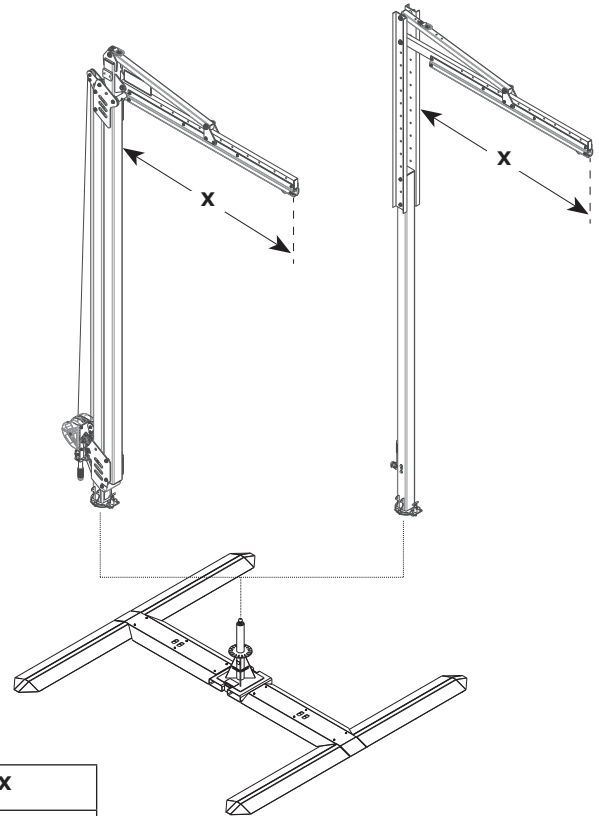
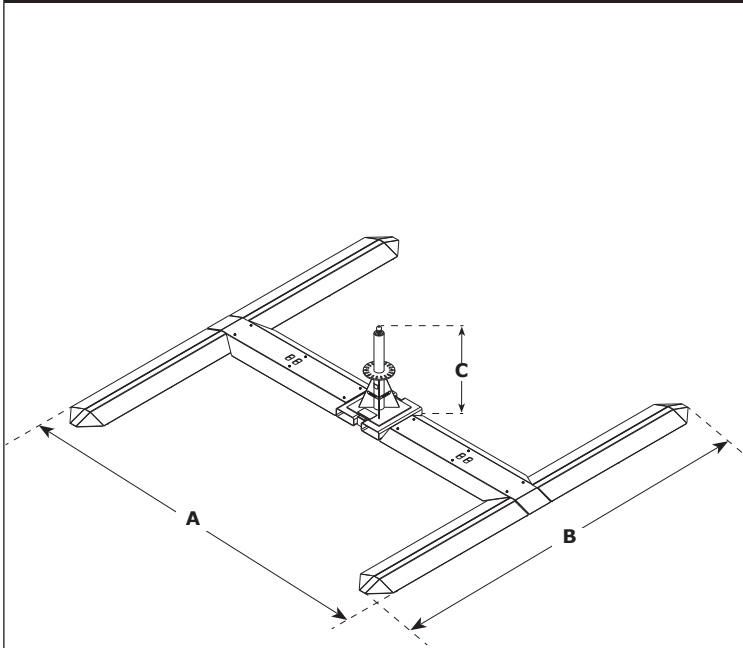
OSHA 1910.140

OSHA 1926.502

**3M™ DBI-SALA®
FLEXIGUARD™
Modular Jib System M100
H-Base**

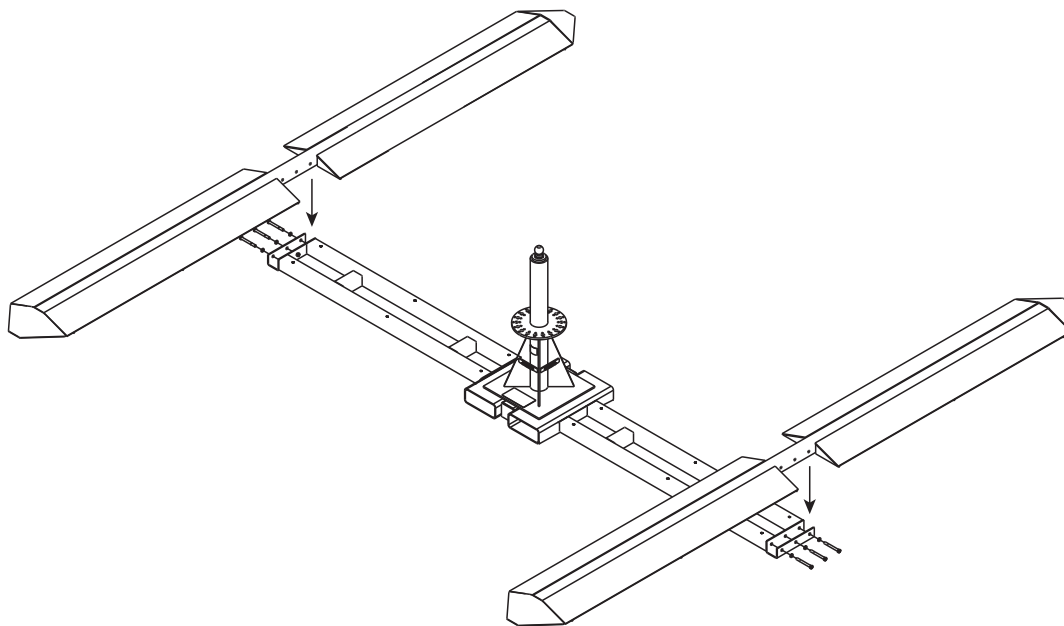
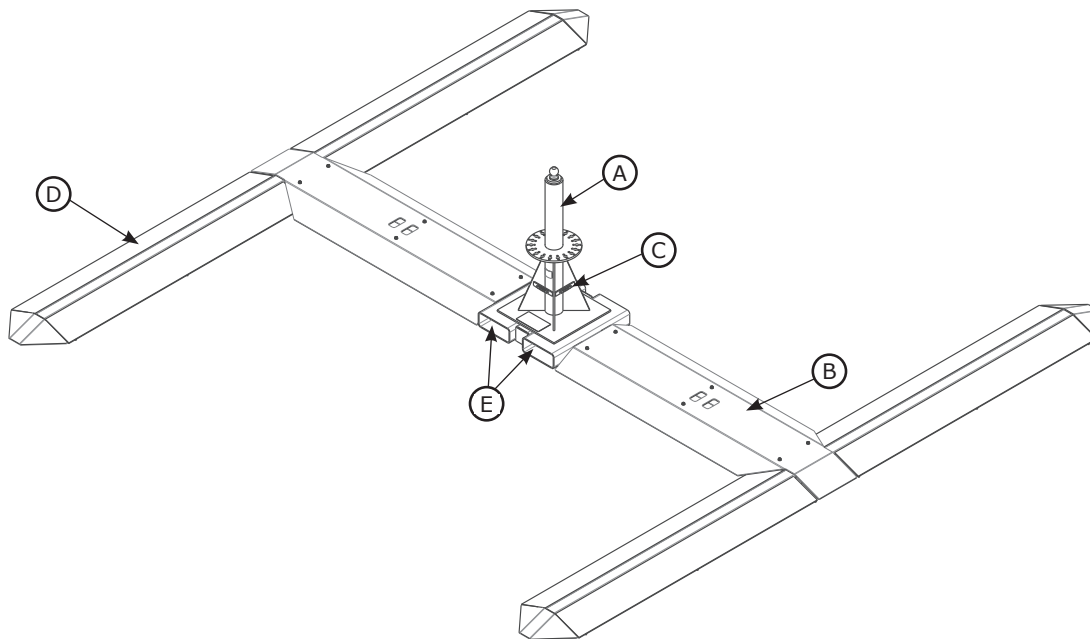
**USER INSTRUCTIONS
5908377 Rev. D**

1

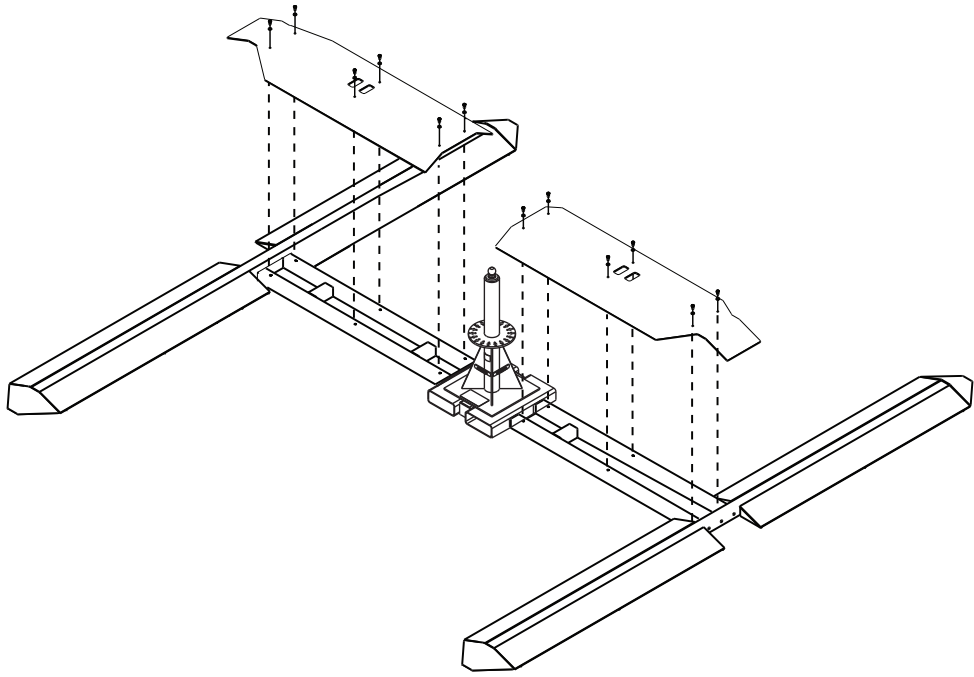


	A	B	C
8530873	15 ft. (4.6 m)	15 ft. (4.6 m)	3.6 ft. (1.1 m)

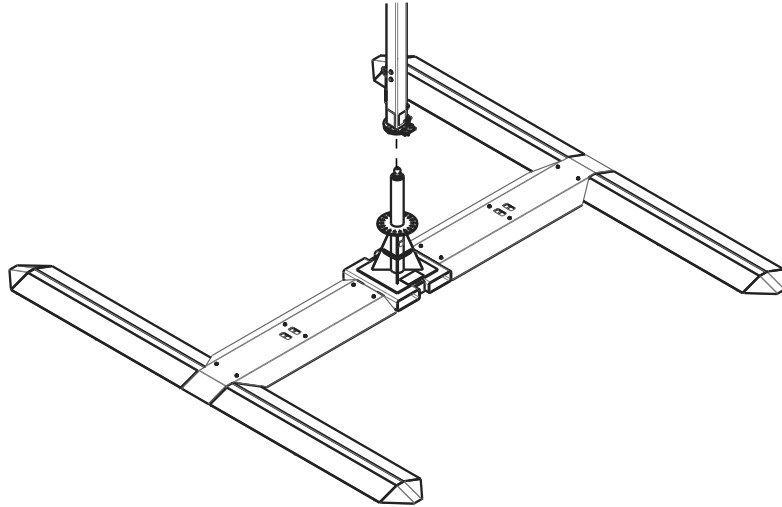
X
≤ 7.5 ft. (2.3 m)



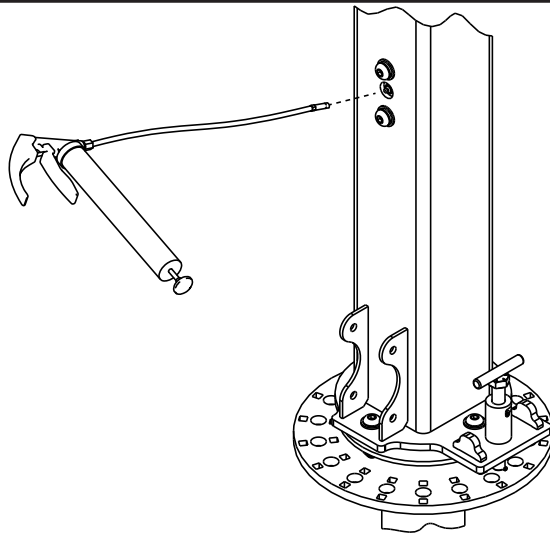
4



5

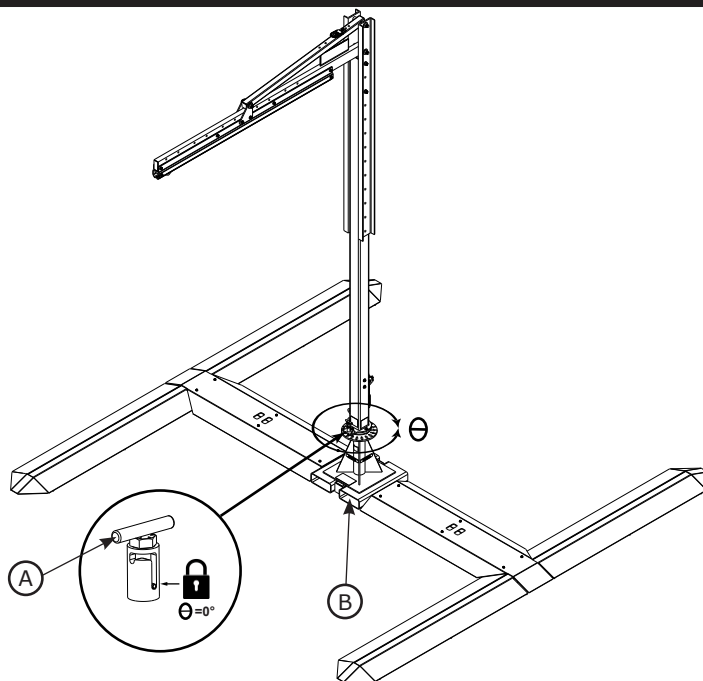


6

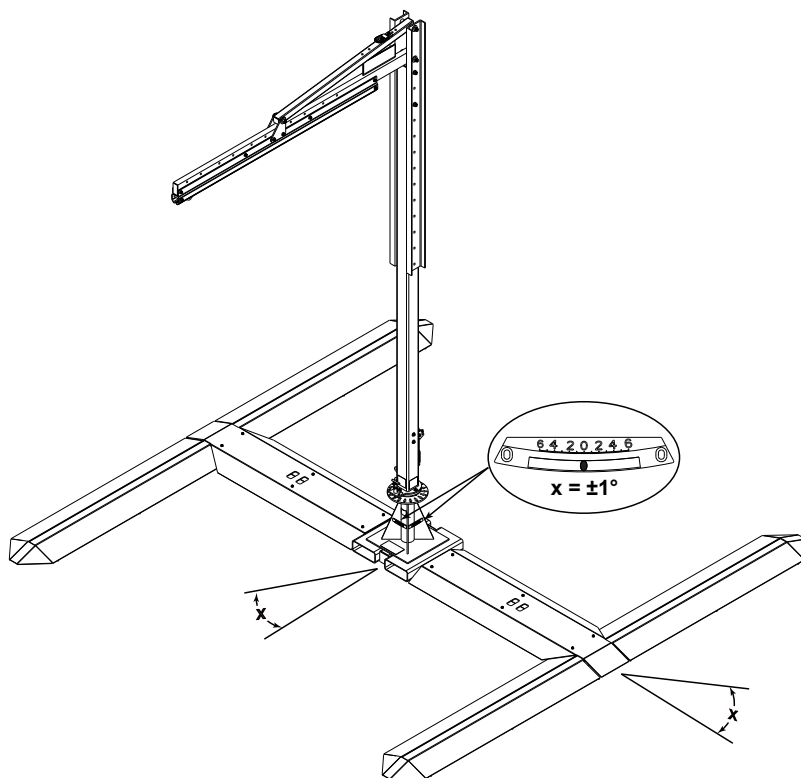


3

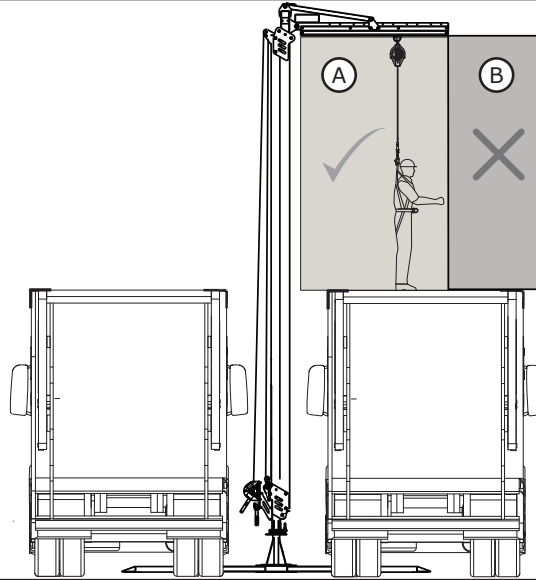
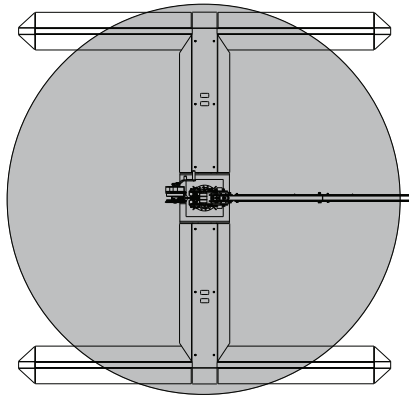
7



8



9



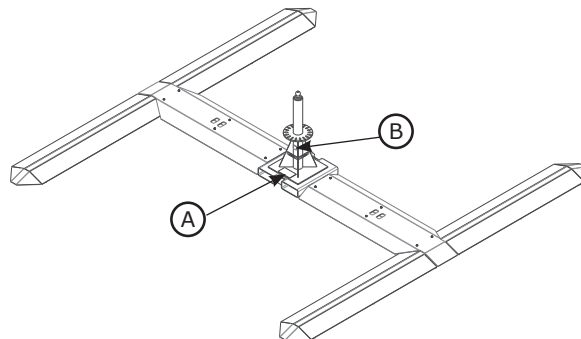
10

A

B

		3
1	4	2
CE 2797		5
<small>EN795:2012 "TYPE B" OSHA 1926.502 / 1910.140</small>		
6	7	8
<p>1,335 lbs. (605 kg)</p>	<p>≤ 805 lbs. (365 kg)</p>	<p>≤ 2,140 lbs. (970 kg)</p>
		<p>9515116 REV. B</p>
<p>± 1°</p>		

4	2
1	2
Mfrd. (yr, mo) Fabr. (aa, mm)	Model No.: N° de Modelo:
<div style="background-color: black; width: 100%; height: 40px;"></div>	
3M.com/FallProtection Red Wing, MN 55066, USA	
3	3
Serial no / N° de serie:	9514429 Rev. B



5

SAFETY INFORMATION

Please read, understand, and follow all safety information contained in these instructions prior to the use of this Flexiguard System. **FAILURE TO DO SO COULD RESULT IN SERIOUS INJURY OR DEATH.**

These instructions must be provided to the user of this equipment. Retain these instructions for future reference.

Intended Use:

This Flexiguard System is intended for use as part of a complete fall protection or rescue system.

Use in any other application including, but not limited to, material handling, recreational or sports related activities, or other activities not described in the User Instructions, is not approved by 3M and could result in serious injury or death.

This system is only to be used by trained users in workplace applications.

WARNING

This Flexiguard System is part of a personal fall protection or rescue system. It is expected that all users be fully trained in the safe installation and operation of the complete system. **Misuse of this system could result in serious injury or death.** For proper selection, operation, installation, maintenance, and service, refer to all Product Instructions and all manufacturer recommendations, see your supervisor, or contact 3M Technical Service.

- **To reduce the risks associated with transporting a Flexiguard system which, if not avoided, could result in serious injury or death:**
 - Ensure the system is properly secured or configured prior to transport. Refer to the User Instructions for detailed transportation requirements.
 - Only transport below 5 mph (8 km/h) and at inclines of 10° or less, or as outlined in the User Instructions.
 - Ensure the system will not contact overhead objects or electrical hazards while transporting or in use.
- **To reduce the risks associated with working with a Flexiguard system which, if not avoided, could result in serious injury or death:**
 - Inspect all components of the system before each use, at least annually, and after any fall event, in accordance with the User Instructions.
 - If inspection reveals an unsafe or defective condition, remove the system from service and repair or replace according to the User Instructions.
 - Any system that has been subject to fall arrest or impact force must be immediately removed from service. Refer to the User Instructions or contact 3M Fall Protection.
 - The substrate or structure on which the system is attached/positioned must be able to sustain the static loads specified for the system in the orientations permitted in the User Instructions or Installation Instructions.
 - Do not exceed the number of allowable users as per the User Instructions.
 - Never attach to a system until it is fully assembled, positioned, adjusted, and installed. Do not adjust the system while a user is attached.
 - Never work outside the safe work area as defined by the User Instructions.
 - Do not connect to the system while it is being transported or installed.
 - Always maintain 100% tie-off when transferring between anchor points on the system.
 - Use caution when installing, using, and moving the system as moving parts may create potential pinch points.
 - Ensure proper lockout/tagout procedures have been followed when applicable.
 - Only connect fall protection subsystems to the designated anchorage connection point on the system.
 - When drilling holes for assembly or installation of the system, ensure no electric lines, gas lines, or other critical materials or equipment will be contacted by the drill.
 - Ensure that fall protection systems/subsystems assembled from components made by different manufacturers are compatible and meet the requirements of applicable standards, including the ANSI Z359 or other applicable fall protection codes, standards, or requirements. Always consult a Competent or Qualified Person before using these systems.
- **To reduce the risks associated with working at heights which, if not avoided, could result in serious injury or death:**
 - Ensure your health and physical condition allow you to safely withstand all of the forces associated with working at height. Consult with your doctor if you have any questions regarding your ability to use this equipment.
 - Never exceed allowable capacity of your fall protection equipment.
 - Never exceed maximum free fall distance of your fall protection equipment.
 - Do not use any fall protection equipment that fails pre-use or other scheduled inspections, or if you have concerns about the use or suitability of the equipment for your application. Contact 3M Technical Services with any questions.
 - Some subsystem and component combinations may interfere with the operation of this equipment. Only use compatible connections. Consult 3M prior to using this equipment in combination with components or subsystems other than those described in the User Instructions.
 - Use extra precautions when working around moving machinery (e.g. top drive of oil rigs) electrical hazards, extreme temperatures, chemical hazards, explosive or toxic gases, sharp edges, or below overhead materials that could fall onto you or the fall protection equipment.
 - Use Arc Flash or Hot Works devices when working in high heat environments.
 - Avoid surfaces and objects that can damage the user or equipment.
 - Ensure there is adequate fall clearance when working at height.
 - Never modify or alter your fall protection equipment. Only 3M or parties authorized in by 3M may make repairs to the equipment.
 - Prior to use of fall protection equipment, ensure a rescue plan is in place which allows for prompt rescue if a fall incident occurs.
 - If a fall incident occurs, immediately seek medical attention for the fallen worker.
 - Do not use a body belt for fall arrest applications. Use only a Full Body Harness.
 - Minimize swing falls by working as directly below the anchorage point as possible.
 - If training with this device, a secondary fall protection system must be utilized in a manner that does not expose the trainee to an unintended fall hazard.
 - Always wear appropriate personal protective equipment when installing, using, or inspecting the device/system.

Before using this equipment, record the product identification information from the ID label in the "Inspection and Maintenance Log" at the back of this manual.

Always ensure you are using the latest revision of your 3M instruction manual. Visit the 3M website or contact 3M Technical Services for updated instruction manuals.

PRODUCT DESCRIPTION:

Figure 1 illustrates the 3M™ Flexiguard™ Modular Jib System M100 H-Base. The H-Base is designed to be used with approved Flexiguard Modular Jib System M100 Masts. The system is free standing and does not require any additional counterweight. The H-Base allows for vehicles to drive over the Outrigger Legs to get them closer to the Mast so the user can work on top of vehicles.

Figure 2 illustrates components of the H-Base. See Table 1 for Component Specifications. The Hitch Ball Post (A) is the receiver to mount the approved 3M Flexiguard M100 Mast. The Outrigger Legs (D) provide support for the H-Base and are connected by the Main Center Base (B) where the Level Indicators (C) are located. Use the Level Indicators to check that the system is within the +/- 1° of allowable slope. The Lifting Channels (E) are used to transport the H-Base with a forklift, pallet jack, crane, etc.

Table 1 – Specifications

System Specifications:		
Compatibility:	The H-Base covered in this instruction are compatible with 3M™ DBI-SALA® Flexiguard™ Modular Jib System M100.	
Standards:	Designed and tested to meet the requirements of EN795:2012 (Type B), OSHA 1926.502, and OSHA 1910.140.	
Capacity:	See 3M DBI-SALA Flexiguard Modular Jib System M100 instructions 5908371.	
Product Weight:	1335 lb. (605 kg)	
Resting Structure Requirements:	Structure supporting the Fall Arrest System must withstand a 4,035 lb. (1,830 kg) + weight of jib vertical load.	
Maximum Deflection:	Refer to the instruction manual for the M100 Jib Boom (5908371) for more information on maximum system deflection.	
Maximum Arresting Force:	All connecting subsystems (SRD, Energy Absorbing Lanyards, etc.) used with the system must limit the maximum arresting force to 1,350 lbf (6 kN).	
Component Specifications:		
Figure 2 Reference	Component	Materials
(A)	Hitch Ball Post	Steel
(B)	Main Center Base	Steel
(C)	Level Indicators	Plastic
(D)	Outrigger Legs	Steel
(E)	Lifting Channels	Steel

1.0 PRODUCT APPLICATION

- 1.1 PURPOSE:** The H-Base is designed for use as a component of a Fall Arrest System.
- 1.2 DESCRIPTION:** The Floor Mount Base (Figure 1) is designed to rest on flat ground and be used as a mounting point for 3M™ DBI-SALA® Flexiguard™ Modular Jib System M100.
- 1.3 STANDARDS:** The H-Base conforms to the national or regional standar(s) identified on the front cover of these instructions. If this product is resold outside the original country of destination, the re-seller must provide these instructions in the language of the country in which the product will be used.
- 1.4 SUPERVISION:** Installation of this equipment must be supervised by a Qualified Person¹. Use of this equipment must be supervised by a Competent Person².
- 1.5 TRAINING:** It is the responsibility of users of this equipment to understand these instructions and be trained in correct installation, use, and maintenance of this equipment. Users must be aware of the consequences of improper installation or use of this equipment. This instruction manual is not a substitute for a training program. Training must be provided on a periodic basis to ensure user proficiency.
- 1.6 RESCUE PLAN:** When using this equipment and connecting subsystems, the employer must have a rescue plan and the means at hand to implement and communicate that plan to users, authorized persons³, and rescuers⁴. A trained, onsite rescue team is recommended. Team members should be provided with the equipment and techniques to perform a successful rescue. Training should be provided on a periodic basis to ensure rescuer proficiency.

1 Qualified Person: A person with a recognized degree, certificate, or professional standing, or who by extensive knowledge, training, and experience has successfully demonstrated their ability to solve or resolve problems relating to fall protection and rescue system to the extent required by applicable national, regional, and local regulations.

2 Competent Person: One who is capable of identifying existing and predictable hazards in the surroundings or working conditions which are unsanitary, hazardous, or dangerous to employees, and who has authorization to take prompt corrective measures to eliminate them.

3 Authorized Person: A person assigned by the employer to perform duties at a location where the person will be exposed to a fall hazard.

4 Rescuer: A person using the Rescue system to perform an assisted rescue.

1.7 AFTER A FALL: If this equipment is subjected to fall arrest or impact force, remove it from service immediately. Clearly tag it "DO NOT USE". See Section 4 for more information.

2.0 INSTALLATION

2.1 PLANNING: Plan your Fall Protection system prior to installation of the H-Base. Account for all factors that may affect your safety before, during, and after a fall. Consider all requirements, limitations, and specifications defined in these instructions.

2.2 ASSEMBLE STEEL OUTRIGGER BASE: See Figure 3. Position the Main Center Base in the desired location. Set the two Outrigger Legs in place and attach with the supplied 1/2" hardware. Torque hardware to 60 ft-lb (81 N-m).

2.3 INSTALL DRIVE OVER GUARDS: See Figure 4. Position the drive over guards. Attach with the supplied 3/8" hardware. Torque hardware to 45 ft-lb (61 N-m).

2.4 INSTALL THE M100 JIB BOOM ON THE BASE: See Figure 5. Lower the M100 Jib Boom onto the Hitch Ball Post of the H-Base.

1. Lubricating the mast: See Figure 6. Apply grease to the grease fitting located on the Mast.

2.5 TRANSPORTING THE SYSTEM: See Figure 7. The system may be transported using the Lifting Channels (B) located at the bottom of the base. Before transporting, position the upright in the desired angle. Lower the Locking Pin (A) to lock the rotation of the Jib Boom during transport.

Do not transport the system without the Rotation Lock Pin inserted.

Do not transport at speeds exceeding 5 mph (8 kph).

When transporting the System, be aware of overhead obstructions and electrical hazards which may result in serious injury or death.

3.0 USE

3.1 BEFORE EACH USE: Verify that your work area and Fall Protection system meet all criteria defined in these instructions. Verify that a formal Rescue Plan is in place. Inspect the system per the 'User' inspection points defined in the "Inspection and Maintenance Log" (Table 2). If inspection reveals an unsafe or defective condition, or if there is any doubt about its condition for safe use, remove the system from service immediately. Clearly tag the system "DO NOT USE". See Section 4 for more information.

3.2 POSITIONING THE SYSTEM: See Figure 8. Place the H-Base on a level resting structure meeting the strength requirements called out in Table 1. Using the Level Indicators, check that the resting structure slope is within plus or minus 1° from vertical in both directions of the base.

3.3 SAFE WORKING AREA: The safe working radius of the Jib Base does not extend beyond the length of the Jib Base itself. See Figure 9 for reference. When using the M100 Jib System, the user should remain within the indicated Safe Working Area (A). Leaving the Safe Working Area to an Outside Location (B) is dangerous and could result in serious injury or death. When working on either side of the M100 Jib System, keep the anchor point as close overhead as possible. If a rotation stop is in place on the jib mount, never work past that rotation stop. See the instruction manual for the M100 Jib Boom (5908371) for more information.

4.0 INSPECTION

After product has been removed from service, it may not be returned to service until a Competent Person confirms in writing that it is acceptable to do so.

4.1 INSPECTION FREQUENCY: The product shall be inspected by the user before each use and, additionally, by a Competent Person other than the user at intervals of no longer than one year. A higher frequency of equipment use and harsher conditions may require increasing the frequency of Competent Person inspections. The frequency of these inspections should be determined by the Competent Person per the specific conditions of the worksite.

4.2 INSPECTION PROCEDURES: Inspect this product per the procedures listed in the "Inspection and Maintenance Log". Documentation of each inspection should be maintained by the owner of this equipment. An inspection and maintenance log should be placed near the product or be otherwise easily accessible to users. It is recommended that the product is marked with the date of next or last inspection.

4.3 DEFECTS: If the H-Base cannot be returned to service because of an existing defect or unsafe condition, then either destroy the system or contact 3M or a 3M-authorized service center about possible repair.

4.4 PRODUCT LIFE: The functional life of the H-Base is determined by work conditions and maintenance. As long as the product passes inspection criteria, it may remain in service.

5.0 MAINTENANCE, SERVICE, and STORAGE

Equipment that is in need of maintenance or scheduled for maintenance should be tagged "DO NOT USE". These equipment tags should not be removed until maintenance is performed.

5.1 CLEANING: Periodically clean the H-Base with a soft brush, warm water, and a mild soap solution. Ensure parts are thoroughly rinsed with clean water.

5.2 SERVICE: Only 3M or parties authorized in writing by 3M may make repairs to this equipment.

5.3 STORAGE: If applicable, store the H-Base and associated Fall Protection equipment in a cool, dry, clean environment out of direct sunlight. Avoid areas where chemical vapors may exist. Thoroughly inspect components after extended storage.

6.0 LABELS and MARKINGS

6.1 LABELS: Figure 10 illustrates labels on the H-Base. Labels must be replaced if they are not fully legible. Information provided on each label is as follows:

<p>Ⓐ</p>	<p>Warning Label: 1) CE Certification 2) Read Instructions 3) Company Logo 4) CE Certification and OSHA Certification 5) Safe Working Radius 6) Maximum Weights of H-Base = less than or equal to symbol 1,335 lb. (605 kg) 7) Maximum Weight of M100 Jib Boom = less than or equal to symbol 805 lb. (365 kg) 8) Maximum Weight of H-Base + M100 Jib Boom = less than or equal to symbol 2,140 lb. (970 kg) 9) Maximum Supporting Surface Slope = +/- 1°</p>
<p>Ⓑ</p>	<p>Identification Label: 1) Manufactured (Year/Month) 2) Model Number 3) Serial Number 4) Company Logo</p>

Læs alle sikkerhedsoplysninger i denne brugsanvisning, og sørg for, at du forstår og følger disse, før du bruger dette Flexiguard-system. UNDLADELSE HERAF KAN MEDFØRE ALVORLIG PERSONSKADE ELLER DØDSFALD.

Disse anvisninger skal udleveres til brugeren af udstyret. Opbevar denne vejledning til senere brug.

Anvendelsesformål:

Dette Flexiguard-system er beregnet til brug som en del af et komplet personligt faldsikrings- eller redningssystem.

Enhver anden brug end denne, herunder eksempelvis materialehåndtering, rekreative eller sportslige aktiviteter eller andre aktiviteter, der ikke er beskrevet i brugs- eller installationsvejledningen, er ikke godkendt af 3M og kan medføre alvorlig skade eller død.

Dette system må kun benyttes af uddannede brugere til anvendelse på arbejdspladsen.

ADVARSEL

Dette Flexiguard-system er en del af et personligt faldsikrings- eller redningssystem. Det forventes, at alle brugere er fuldt uddannet i sikker installation og drift af hele systemet. **Misbrug af dette system kan medføre alvorlig skade eller død.** Jævnfør alle produktvejledninger samt alle producentens anbefalinger, tal med din vejleder eller kontakt 3M's tekniske service vedrørende korrekt valg, drift, installation, vedligeholdelse og servicering.

- **For at reducere risici i forbindelse med transport af et Flexiguard-system, som, hvis de ikke undgås, kan medføre alvorlig skade eller død:**
 - Sørg for, at systemet er korrekt sikret og konfigureret inden transport. Der henvises til brugervejledningerne for detaljerede transportkrav.
 - Transporter kun under 8 km/t (5 mph) og på stigninger på 10° eller mindre, som anført i brugervejledningen.
 - Sørg for, at systemet ikke kommer i kontakt med overhængende genstande eller elektrisk fare under transport eller ved brug.
- **For at reducere risiciene ved at arbejde med et Flexiguard-system, som, hvis de ikke undgås, kan medføre alvorlig skade eller død:**
 - Efterse alle komponenter i systemet før hver brug, mindst én gang om året og efter et eventuelt fald. Efterse systemet i overensstemmelse med brugervejledningen.
 - Hvis eftersynet afslører usikre eller defekte tilstande, skal systemet tages ud af drift og repareres eller udskiftes i overensstemmelse med brugervejledningen.
 - Enhver anordning, som har været udsat for faldstandsning eller kraftpåvirkninger, skal straks tages ud af brug. Se brugervejledningen, eller kontakt 3M Fall Protection.
 - Det grundlag eller den bygning, som dette system fastgøres til, skal være i stand til at modstå de statiske belastninger, der er specificeret for systemet i de retninger, der er tilladt i brugervejledningen eller installationsvejledningen.
 - Overstig ikke antallet af tilladte brugere i henhold til brugervejledningen.
 - Tilslut aldrig til et system før det er fuldt samlet, positioneret, justeret og installeret. Juster ikke systemet, mens en bruger er tilkoblet.
 - Arbejd aldrig uden for det sikre arbejdsområde, som det er defineret i brugervejledningen.
 - Forbind ikke til systemet, mens det er ved at blive transporteret eller monteret.
 - Bevar altid 100 % afsnøring, når der skiftes mellem systemets forankringspunkter.
 - Vær forsigtig ved installation, brug og flytning af systemet, da bevægelige dele kan skabe potentielle klemmepunkter.
 - Sørg for at korrekte lockout/tagout-procedurer bliver fulgt som foreskrevet.
 - Man må kun tilkoble faldsikringsundersystemer til det angivne forankringsforbindelsespunkt på systemet.
 - Ved boring af huller til fastgørelse eller installation af systemet, skal det sikres, at ingen elledninger, gasledninger eller andre kritiske materialer eller udstyr kommer i kontakt med boret.
 - Sørg for, at faldsikringsystemer/-undersystemer, der er samlet fra komponenter, der er fremstillet af forskellige fabrikanter, er kompatible og opfylder kravene i relevante standarder, inklusive ANSI Z359 eller andre gældende regulativer, standarder for eller krav til faldbekyttelse. Opsøg altid en kompetent eller kvalificeret person, før du anvender disse systemer.
- **For at reducere risici i forbindelse med højdearbejde, som, hvis de ikke undgås, kan medføre alvorlig skade eller død:**
 - Sørg for, at dit helbred og din kondition gør dig i stand til sikkert at kunne modstå alle de kræfter, der er forbundet med højdearbejde. Rådfør dig med din læge, hvis du har spørgsmål vedrørende din evne til at bruge dette udstyr.
 - Overstig aldrig den tilladte kapacitet for dit faldsikringsudstyr.
 - Overstig aldrig den maksimale faldafstand fra dit faldsikringsudstyr.
 - Brug ikke faldsikringsudstyr, som ikke virker ved forudgående brug eller planlagte inspektioner, eller hvis du er bekymret for udstyrets brug eller egnethed til det tilsigtede formål. Kontakt 3M's tekniske service med eventuelle spørgsmål.
 - Kombinationer med visse delsystemer og komponenter kan forstyrre driften af dette udstyr. Brug kun kompatible forbindelser. Rådfør dig med 3M, før du bruger dette udstyr sammen med andre komponenter eller delsystemer end dem, der er beskrevet i brugervejledningen.
 - Vær særligt forsigtig, når du arbejder i nærheden af maskiner, som bevæger sig (f.eks. øverste drev på olieplatforme), elektriske stødfare, ekstreme temperaturer, kemiske farer, eksplosive eller giftige gasser, skarpe kanter eller under overliggende materialer, som kan falde ned på dig eller faldsikringsudstyret.
 - Brug Arc Flash eller Hot Works (dvs. passende beskyttelses-)anordninger, når du arbejder i miljøer med ekstrem varme.
 - Undgå overflader og genstande, som kan beskadige brugeren eller udstyret.
 - Sørg for tilstrækkelig faldafstand ved højdearbejde.
 - Faldsikringsudstyret må aldrig modificeres eller ændres. Kun 3M eller parter, som 3M skriftligt har bemyndiget må foretage reparationer på udstyret.
 - Før brug af faldsikringsudstyret skal du sørge for at have en redningsplan, som muliggør hurtig redning i tilfælde af fald.
 - Hvis der sker et fald, så søg straks lægehjælp for den faldne arbejdstager.
 - Brug ikke et kropsbælte til anvendelser, der involverer faldsikring. Må kun benyttes med komplet kropssele.
 - Svingfald kan minimeres ved så vidt muligt at arbejde lige under forankringspunktet.
 - Hvis der øves med denne anordning, skal der benyttes sekundært faldbeskyttelsesudstyr på en sådan måde, at lærlingen ikke udsættes for utilsigtet faldrisiko.
 - Brug altid passende personlige værnemidler under installation, brug eller inspektion af enheden/systemet.

Inden udstyret tages i brug, skal produktidentifikationsoplysningerne fra ID-mærkatet noteres i "Inspektions- og vedligeholdelseslog" på bagsiden af denne vejledning.

Sørg altid for, at du bruger den seneste udgave af din 3M-brugervejledning. Besøg 3M-webstedet, eller kontakt 3M's tekniske service for at få opdaterede brugervejledninger.

PRODUKTBEKRIVELSE:

Figur 1 viser H-basen til 3M™ Flexiguard™ moduludliggersystemet M100. H-basen er udviklet til brug sammen med godkendte master til Flexiguard moduludliggersystemet M100. Systemet er fritstående og kræver ingen yderligere kontravægt. Med H-basen kan køretøjer køre over støttebenene for at placere dem tættere på masten, så brugeren kan arbejde oven på køretøjer.

Figur 2 viser komponenterne i H-basen. Se tabel 1 for at få komponentspecifikationer. Tilkoblingskuglestolpen (A) er modtageren, som den godkendte 3M Flexiguard M100-mast skal monteres på. Støttebenene (D) understøtter H-basen og er forbundet med hovedmidterbasen (B), hvor niveauidikatorerne (C) er placeret. Brug niveauidikatorerne til at kontrollere, at systemet befinder sig inden for den tilladte hældning på +/-1°. Løftekanalerne (E) bruges til at transportere H-basen med en gaffeltruck, palledonkraft, kran osv.

Tabel 1 – Specifikationer

Systemspecifikationer:		
Kompatibilitet:	H-basen der er dækket af denne vejledning, er kompatibel med 3M™ DBI-SALA® Flexiguard™ moduludliggersystemet M100.	
Standarder:	Udviklet og testet til at opfylde kravene i EN795:2012 (type B), OSHA 1926.502 og OSHA 1910.140.	
Kapacitet:	Se vejledning 5908371 til 3M DBI-SALA Flexiguard moduludliggersystemet M100.	
Produktvægt:	1335 lb. (605 kg)	
Krav til hvilestruktur:	Konstruktioner, der understøtter faldstandsningssystemet, skal kunne modstå en vægt på 4.035 lb. (1.830 kg) + vægten af udliggerens lodrette belastning.	
Maksimal afbøjning:	Se brugervejledningen til M100-udliggerbommen (5908371) for at få flere oplysninger om maksimal afbøjning af systemet.	
Maksimal standsekraft:	Alle tilsluttede systemer (SRD, energiabsorberende taljereb osv.), der bruges sammen med systemet, skal begrænse den maksimale standsekraft til 1.350 lbf (6 kN).	
Komponentspecifikationer:		
Figur 2 Reference	Komponent	Materialer
(A)	Tilkoblingskuglestolpe	Stål
(B)	Hovedmidterbase	Stål
(C)	Niveauidikatorer	Plastik
(D)	Støtteben	Stål
(E)	Løftekanaler	Stål

1.0 PRODUKTANVENDELSE

1.1 FORMÅL: H-basen er udviklet til brug som en komponent i et faldstandsningssystem.

1.2 BESKRIVELSE: Gulvmonteringsbasen (figur 1) er udviklet til at hvile på et fladt underlag til brug som et monteringspunkt til 3M™ DBI-SALA® Flexiguard™ moduludliggersystemet M100.

1.3 STANDARDER: H-basen overholder de nationale eller regionale standarder, der er angivet på forsiden af denne vejledning. Hvis dette produkt videresælges uden for det oprindelige modtagerland, skal den person, der videresælger, sørge for vejledning i brug, vedligeholdelse, regelmæssig inspektion og reparation på sproget i det land, hvor produktet skal bruges.

1.4 OPSYN: Montering af dette udstyr skal udføres under vejledning af en kvalificeret person.¹ Anvendelse af dette udstyr skal foregå under en kompetent persons opsyn².

1.5 OPLÆRING: Brugere af dette udstyr er ansvarlige for at forstå denne vejledning og at modtage undervisning i korrekt montering, anvendelse og vedligeholdelse af udstyret. Brugere skal kende konsekvenserne af forkert montering eller brug af udstyret. Denne brugervejledning er ikke en erstatning af et undervisningsforløb. Brugere skal undervises med jævne mellemrum for at sikre, at de har de fornødne færdigheder.

1.6 REDNINGSPLAN: Når dette udstyr og tilsluttede delsystemer anvendes, skal arbejdsgiveren have en redningsplan på plads samt midlerne til at implementere den, og vedkommende skal informere brugere, autoriserede personer³ og

1 Kvalificeret person: En person med en anerkendt uddannelse, et anerkendt certifikat eller professionel status, eller som ved omfattende viden, uddannelse og erfaring har påvist sin evne til at løse problemer i forbindelse med faldsikring og redningssystemer i det omfang, der kræves af gældende nationale, regionale og lokale bestemmelser.

2 Kompetent person: En person, som er i stand til at identificere eksisterende og forudsigelige risici i omgivelserne eller arbejdsbetingelser, som er usunde, skadelige eller farlige for medarbejderne, og som har bemyndigelse til at træffe øjeblikkelige korrigerende forholdsregler for at eliminere dem.

3 Autoriseret person: En person, der er udpeget af arbejdsgiveren til at udføre opgaver på et sted, hvor personen vil være udsat for en faldrisiko.

reddere⁴ om planen. Det anbefales at have et redningshold på stedet. Reddere skal forsynes med udstyr og teknikker til gennemførelse af en vellykket redning. Undervisning skal gennemføres med jævne mellemrum for at sikre, at redderne har de fornødne færdigheder.

- 1.7 EFTER ET FALD:** Hvis udstyret udsættes for faldstandsning eller kraftpåvirkninger fra stød, skal det tages ud af brug med det samme. Mærk det tydeligt "MÅ IKKE ANVENDES". Se afsnit 4 for at få flere oplysninger.

2.0 MONTERING

- 2.1 PLANLÆGNING:** Planlæg dit faldsikringsystem før montering af kontravægtbasen. Tag højde for alle faktorer, der kan påvirke din sikkerhed inden, under og efter et fald. Tag hensyn til alle krav, begrænsninger og specifikationer angivet i denne vejledning.

- 2.2 MONTER UDRIGGERBASEN AF STÅL:** Se figur 3. Placer hovedmidterbasen på det ønskede sted. Sæt de to støtteben på plads, og fastgør dem med de leverede fastgørelsesanordninger på 1/2". Tilspænd fastgørelsesanordningerne med et moment på 60 ft-lb (81 Nm).

- 2.3 MONTER OVERKØRSELSBESKYTTERNE:** Se figur 4. Placer overkørselsbeskytterne. Fastgør de medfølgende fastgørelsesanordninger på 3/8". Tilspænd fastgørelsesanordningerne med et moment på 45 ft-lb (61 Nm).

- 2.4 MONTER M100-UDLIGGERBOMMEN PÅ BASEN:** Se figur 5. Sænk M100-udliggerbommen ned på H-basens tilkoblingskuglestolpe.

1. SMØRING AF MASTEN: Se figur 6. Påfør fedt på smøreniplen, der er placeret på masten.

- 2.5 TRANSPORT AF SYSTEMET:** Se figur 7. Systemet kan transporteres ved at bruge løftekanalerne (B), der er placeret i bunden af basen. Før transport skal udliggerbommen placeres i den ønskede vinkel. Sænk låsestiften (A) for at forhindre, at udliggerbommen roterer under transport.

Transportér ikke systemet uden at rotationslåsestiften er monteret.

Transportér ikke ved hastigheder over 8 km/t.

Når systemet transporteres, skal du være opmærksom på overhængende forhindringer og elektriske farer, som kan forårsage alvorlig personskade eller død.

3.0 BRUG

- 3.1 FØR HVER IBRUGTAGNING:** Kontrollér, at dit arbejdsområde og faldsikringsystem opfylder alle kriterier, der er angivet i denne brugervejledning. Sørg for, at der forefindes en formaliseret redningsplan. Efterse systemet i henhold til inspektionspunkterne under "Bruger", der er angivet i "Inspektions- og vedligeholdelseslog" (tabel 2). Hvis inspektionen påviser en usikker eller defekt tilstand, eller hvis der er tvivl om, hvorvidt systemet er intakt eller sikkert at bruge, skal det omgående tages ud af drift. Mærk tydeligt systemet "MÅ IKKE ANVENDES". Se afsnit 4 for at få flere oplysninger.

- 3.2 PLACERING AF SYSTEMET:** Se figur 8. Placer H-basen på en plan hvilestruktur, som opfylder de styrkekrav, der er beskrevet i tabel 1. Brug niveauindikatorerne til at kontrollere, at hvilestrukturens hældning befinder sig inden for plus eller minus 1° fra lodret i begge retninger af basen.

- 3.3 SIKKERT ARBEJDSOMRÅDE:** Udliggerbasens sikre arbejdsradius strækker sig ikke ud over selve udliggerbasens længde. Få flere oplysninger i figur 9. Når du anvender M100-udliggersystemet, skal brugeren forblive inden for den angivne sikre arbejdszone (A). At forlade den sikre arbejdszone til et sted udenfor (B) er farligt og kan resultere i alvorlig personskade eller død. Når du arbejder på den ene eller anden side af M100-udliggersystemet, skal du holde forankringspunktet så tæt over hovedet som muligt. Hvis et drejestop er på plads på udliggermonteringen, må du aldrig arbejde forbi dette drejestop. Se brugervejledningen til M100-udliggerbommen (5908371) for at få flere oplysninger.

4.0 INSPEKTION

Når produktet er taget ud af drift, må det ikke tages i brug igen, før en kompetent person skriftligt bekræfter, at det er godkendt til brug.

- 4.1 INSPEKTIONSHYPPIGHED:** Produktet skal inspiceres af brugeren før hver anvendelse og desuden af en anden kompetent person end brugeren mindst én gang om året. Hyppigere brug af udstyret og udfordrende anvendelsesforhold kan kræve hyppigere inspektioner fortaget af en kompetent person. Hyppigheden af disse inspektioner skal fastsættes af den kompetente person efter hensyntagen til arbejdsstedets specifikke forhold.

- 4.2 INSPEKTIONSPROCEDURER:** Efterse dette produkt i henhold til procedurerne anført i "Inspektions- og vedligeholdelseslog". Ejeren af dette udstyr skal føre dokumentation for hver inspektion. En inspektions- og vedligeholdelseslog skal placeres i nærheden af produktet eller på anden vis være let tilgængelig for brugerne. Det anbefales, at produktet markeres med datoen for næste eller sidste inspektion.

- 4.3 DEFEKTER:** Hvis H-basen ikke kan tages i brug igen på grund af en eksisterende defekt eller usikker tilstand, skal systemet enten destrueres, eller du skal kontakte 3M eller et 3M-autoriseret servicecenter angående mulig reparation.

- 4.4 PRODUKTETS LEVETID:** Den driftsmæssige levetid for H-basen afhænger af arbejdsbetingelserne og den konkrete vedligeholdelse. Så længe produktet godkendes ved inspektionen, må det fortsat bruges.

4 Redder: En person, der anvender redningssystemet til at udføre en assisteret undsætning.

5.0 VEDLIGEHOLDELSE, SERVICE OG OPBEVARING

Udstyr, der har brug for vedligeholdelse, eller der skal udføres vedligeholdelse af, skal mærkes "MÅ IKKE ANVENDES". Disse udstyrmærkater må ikke fjernes, før der er udført vedligeholdelse af udstyret.

- 5.1 RENGØRING:** Rengør jævnligt H-basen med en blød børste, varmt vand og en mild sæbeopløsning. Sørg for, at delene skylles grundigt med rent vand.
- 5.2 SERVICE:** Kun 3M eller parter med skriftlig bemyndigelse fra 3M må foretage reparationer på dette udstyr.
- 5.3 OPBEVARING:** Hvis det er relevant, skal H-basen og det tilhørende faldsikringsudstyr opbevares på et tørt, køligt, rent sted, hvor det ikke udsættes for direkte sollys. Undgå steder, hvor der kan være kemikaliedampe. Inspicer komponenterne efter længere tids opbevaring.

6.0 MÆRKATER og MÆRKER

- 6.1 MÆRKATER:** Figur 10 viser mærkater på H-basen. Mærkater skal udskiftes, hvis de ikke kan læses.

A	Advarselsmærkat: 1) CE-certificering 2) Læs anvisningerne 3) Firmaets logo 4) CE-certificering og OSHA-certificering 5) Sikker arbejdsradius 6) Maksimalvægt for H-basen = mindre end eller lig med symbolet 1.335 lb. (605 kg) 7) Maksimalvægt for M100-udliggerbommen = mindre end eller lig med symbolet 805 lb. (365 kg) 8) Maksimalvægt for H-basen og M100-udliggerbommen = mindre end eller lig med symbolet 2.140 lb. (970 kg) 9) Maksimal hældning på den understøttende overflade = +/-1°
B	Identifikationsmærkat: 1) Fremstillet (år/måned) 2) Modelnummer 3) Serienummer 4) Firmaets logo

SICHERHEITSHINWEISE

Vor der Verwendung dieses Flexiguard Systems müssen die Sicherheitsinformationen in diesen Anweisungen gelesen, verstanden und befolgt werden. **NICHTBEACHTUNG KANN ERNSTE VERLETZUNGEN ODER DEN TOD ZUR FOLGE HABEN.**

Diese Anweisungen müssen dem Benutzer dieser Ausrüstung zur Verfügung gestellt werden. Bewahren Sie diese Anweisungen für den späteren Gebrauch auf.

Verwendungszweck:

Dieses Flexiguard System ist für den Gebrauch als Teil eines kompletten Absturzsicherungs- oder Rettungssystems vorgesehen.

Die Verwendung in anderen Anwendungen, u. a. bei Materialtransport, Freizeitaktivitäten, Sportaktivitäten oder anderen, nicht in der Bedienungsanleitung oder in den Installationsanweisungen beschriebenen Aktivitäten, wird nicht durch 3M genehmigt und kann zu schweren Verletzungen oder zum Tod führen.

Dieses System darf nur von Personen verwendet werden, die in der Verwendung des Geräts am Arbeitsplatz geschult sind.



WARNUNG

Dieses Flexiguard System ist Teil eines persönlichen Absturzsicherungs- oder Rettungssystems. Es wird erwartet, dass alle Benutzer vollständig in der sicheren Installation und Bedienung des kompletten Systems geschult werden. **Der unsachgemäße Gebrauch dieses Systems kann ernste Verletzungen oder den Tod zur Folge haben.** Informationen zur richtigen Auswahl, Bedienung, Installation, Wartung und Instandhaltung sind allen Produkthanweisungen und Herstellerempfehlungen zu entnehmen, oder wenden Sie sich an Ihren Vorgesetzten oder an den technischen Service von 3M.

- **Maßnahmen zur Reduzierung der Risiken (die, wenn sie nicht vermieden werden, zu schweren Verletzungen oder zum Tod führen können) im Zusammenhang mit dem Transport eines Flexiguard Systems:**
 - Stellen Sie sicher, dass das System vor dem Transport richtig gesichert und eingestellt ist. Ausführliche Transportanforderungen entnehmen Sie den Benutzeranweisungen.
 - Nur Transporte unterhalb von 8 km/h (5 mph) und einer Steigung von maximal 10° sind zulässig oder wie in den Benutzeranweisungen angegeben ist.
 - Stellen Sie sicher, dass das System während des Transports bzw. während des Betriebs nicht in Kontakt mit über dem Kopf befindlichen Gegenständen oder elektrischen Gefahrenherden gerät.
- **Maßnahmen zur Reduzierung der Risiken (die, wenn sie nicht vermieden werden, zu schweren Verletzungen oder zum Tod führen können) im Zusammenhang mit einem Flexiguard System:**
 - Überprüfen Sie alle Komponenten des Systems vor jeder Verwendung, mindestens aber jährlich und nach jedem Absturz. Überprüfen Sie gemäß den Benutzeranweisungen.
 - Falls bei der Überprüfung eine Gefahr oder ein Mängelzustand festgestellt wird, nehmen Sie das System außer Betrieb und reparieren oder ersetzen Sie es gemäß den Benutzeranweisungen.
 - Jedes System, das einer Absturzsicherung oder Aufprallkräften ausgesetzt war, muss sofort aus dem Betrieb genommen werden. Sehen Sie in den Benutzeranweisungen nach oder kontaktieren Sie 3M Fall Protection.
 - Das Trägermaterial oder die Struktur, an die das System befestigt/positioniert ist, muss die statischen Belastungen tragen können, die für das System in den zulässigen Vorgaben angegeben sind. Diese sind in den Benutzeranweisungen oder in den Installationsanweisungen zu finden.
 - Die Anzahl der zulässigen Benutzer gemäß Benutzeranweisungen nicht überschreiten.
 - Niemals mit einem System verbinden, das nicht vollständig aufgebaut, positioniert, angepasst und installiert ist. Das System nicht einstellen, wenn eine Person im Gurt hängt.
 - Niemals außerhalb des sicheren Arbeitsbereichs arbeiten, wie in den Benutzeranweisungen definiert.
 - Stellen Sie keine Verbindung mit dem System her, während es gerade transportiert oder installiert wird.
 - Beim Transfer zwischen Verankerungspunkten am System halten Sie stets eine 100%ige Verbindung aufrecht.
 - Vorsicht beim Installieren, Verwenden und Bewegen des Systems, da durch bewegliche Teile potentielle Quetschpunkte entstehen können.
 - Stellen Sie sicher, dass angemessene Verfahren zur Absperrung und Sicherung eingehalten wurden, soweit anwendbar.
 - Nur Untersysteme der Absturzsicherung mit dem gekennzeichneten Verankerungspunkt am System verbinden.
 - Vergewissern Sie sich beim Bohren von Löchern für die Montage oder Installation des Systems, dass keine elektrischen Leitungen, Gasleitungen oder andere kritische Materialien oder Ausrüstungsgegenstände durch den Bohrer berührt werden.
 - Stellen Sie sicher, dass Absturzsicherungssysteme/Teilsysteme, die aus Komponenten von verschiedenen Herstellern zusammengebaut werden, zueinander passen und den Anforderungen von geltenden Normen, einschließlich ANSI Z359 oder anderen gültigen Absturzsicherungsrichtlinien, Standards oder Anforderungen entsprechen. Ziehen Sie stets einen Sachkundigen oder eine qualifizierte Person zurate, bevor Sie diese Systeme verwenden.
- **Maßnahmen zur Reduzierung der Risiken (die, wenn sie nicht vermieden werden, zu schweren Verletzungen oder zum Tod führen können) im Zusammenhang mit Arbeiten in der Höhe:**
 - Stellen Sie sicher, dass Ihre gesundheitliche und körperliche Verfassung allen Kräften im Zusammenhang mit Arbeiten in der Höhe sicher standhalten kann. Konsultieren Sie Ihren Arzt, wenn Sie Fragen bezüglich Ihrer Fähigkeit haben, diese Ausrüstung zu verwenden.
 - Niemals die zulässige Belastbarkeit für Ihre Absturzsicherungsausrüstung überschreiten.
 - Niemals die maximale Strecke des Absturzes Ihrer Absturzsicherungsausrüstung überschreiten.
 - Verwenden Sie keine Absturzsicherungsausrüstung, die die Prüfung vor dem Einsatz oder andere geplante Prüfungen nicht bestanden haben, oder wenn Sie Bedenken über die Verwendung oder Tauglichkeit dieser Ausrüstung für Ihren Anwendungsbereich haben. Bei allen Fragen wenden Sie sich an den technischen Kundendienst von 3M.
 - Manche Kombinationen mit Teilsystemen und Komponenten können die Funktionsweise dieser Ausrüstung beeinträchtigen. Nur kompatible Verbindungselemente verwenden. Konsultieren Sie 3M, bevor Sie diese Ausrüstung in Kombination mit anderen Komponenten oder Untersystemen verwenden als denen, die in dieser Bedienungsanleitung beschrieben sind.
 - Bei der Arbeit in der Nähe von beweglichen Maschinen (z. B. Kraftdrehknopf von Ölplattformen), elektrischen Gefahrenherden, extremen Temperaturen, chemischen Gefahren, explosiven oder toxischen Gasen, scharfen Kanten oder unterhalb von über dem Kopf befindlichen Materialien, die auf Sie oder die Absturzsicherung fallen könnten, besonders vorsichtig vorgehen.
 - Bei Arbeiten in Umgebungen mit hohen Temperaturen Vorrichtungen für Schweißlichtbogen oder Heißarbeiten verwenden.
 - Oberflächen und Gegenstände vermeiden, die dem Benutzer oder der Ausrüstung schaden könnten.
 - Stellen Sie bei Arbeiten in der Höhe einen angemessenen Fallraum sicher.
 - Niemals versuchen, die Absturzsicherung zu modifizieren. Nur 3M oder Dritte, die hierzu schriftlich von 3M autorisiert sind, dürfen Reparaturen an der Ausrüstung vornehmen.
 - Vergewissern Sie sich vor dem Einsatz der Absturzsicherung, dass ein Rettungsplan vorliegt, durch dessen Mittel eine unverzügliche Rettung bei einem Absturz ermöglicht wird.
 - Wenn es zu einem Absturz kommt, muss für den abgestürzten Arbeiter sofort ein Arzt hinzugezogen werden.
 - Verwenden Sie für Absturzsicherungsanwendungen keinen Haltegurt. Verwenden Sie nur einen Ganzkörper-Auffanggurt.
 - Minimieren Sie Pendelstürze, indem Sie so nahe wie möglich am Verankerungspunkt arbeiten.
 - Beim Training mit dieser Vorrichtung muss ein zweites Absturzsicherungssystem in der Weise angewendet werden, dass der Trainingsteilnehmer keiner unbeabsichtigten Absturzgefahr ausgesetzt wird.
 - Beim Zusammenbau, der Verwendung oder Prüfung der Vorrichtung stets eine entsprechende persönliche Schutzausrüstung tragen.

Übertragen Sie die Angaben zur Produktidentifikation vor Verwendung dieser Ausrüstung vom ID-Etikett in das „Inspektions- und Wartungsprotokoll“ am Ende dieses Handbuchs.

Stellen Sie immer sicher, dass Sie die neueste Version Ihres 3M-Handbuchs verwenden. Aktualisierte Handbücher erhalten Sie auf der 3M-Website oder über den technischen Kundendienst von 3M.

PRODUKTBESCHREIBUNG:

Abbildung 1 zeigt die H-Basis für das modulare 3M™ Flexiguard™ Klüversystem M100. Die H-Basis ist für die Verwendung mit zugelassenen Pfosten für das modulare Flexiguard Klüversystem M100 ausgelegt. Das System ist freistehend und benötigt kein zusätzliches Gegengewicht. Die H-Basis ermöglicht es Fahrzeugen, über die Auslegerbeine zu fahren, um sie näher an den Pfosten zu bringen, sodass der Anwender auf den Fahrzeugen arbeiten kann.

Abbildung 2 zeigt Komponenten der H-Basis. Komponentenspezifikationen siehe Tabelle 1. Der Pfosten mit Kugelkopf (A) ist die Aufnahme zur Montage des zugelassenen 3M Flexiguard M100 Pfostens. Die Auslegerbeine (D) unterstützen die H-Basis und sind mit der mittleren Hauptbasis (B) verbunden, wo sich die Nivellieranzeigen (C) befinden. Verwenden Sie die Nivellieranzeigen, um zu überprüfen, ob das System innerhalb der zulässigen Neigung von +/- 1° liegt. Die Hebeführungen (E) werden zum Transport der H-Basis mit einem Gabelstapler, Palettenheber, Kran usw. verwendet.

Tabelle 1 – Spezifikationen

Systemspezifikationen:		
Kompatibilität:	Die H-Basis in dieser Anleitung behandelten sind mit dem modularen 3M™ DBI-SALA® Flexiguard™ Klüversystem M100 kompatibel.	
Normen:	Entwickelt und getestet, um die Anforderungen von EN795: 2012 (Typ B), OSHA 1926.502 und OSHA 1910.140 zu erfüllen.	
Traglast:	Siehe Handbuch für das modulare 3M DBI- SALA Flexiguard Klüversystem M100 (5908371).	
Produktgewicht:	605 kg	
Stützstrukturanforderungen:	Die Struktur, die das Absturzschutzsystem trägt, muss 1.830 kg + Gewicht der vertikalen Klüverlast standhalten.	
Maximale Durchbiegung:	Weitere Informationen zur maximalen Systemdurchbiegung finden Sie in der Bedienungsanleitung für den M100-Klüverbaum (5908371).	
Maximale Krafteinwirkung:	Alle verbindenden Teilsysteme (HSGs, energieabsorbierende Verbindungsmittel usw.), die mit der Gegengewichtsbasis verwendet werden, müssen die maximale Auffangkraft auf 6 kN (1.350 lbf) begrenzen.	
Komponentenspezifikationen:		
Abbildung 2 Referenzen	Komponente	Werkstoffe
Ⓐ	Pfosten mit Kugelkopf	Stahl
Ⓑ	Mittlere Hauptbasis	Stahl
Ⓒ	Nivellieranzeigen	Kunststoff
Ⓓ	Auslegerbeine	Stahl
Ⓔ	Hebeführungen	Stahl

1.0 PRODUKTANWENDUNG

1.1 ZWECK: Die H-Basis ist als Bestandteil eines Absturzschutzsystems konzipiert.

1.2 BESCHREIBUNG: Die Bodenmontagebasis (Abbildung 1) ist so ausgelegt, dass sie auf ebenem Boden ruht und als Montagepunkt für das modulare 3M™ DBI-SALA® Flexiguard™ Klüversystem M100 verwendet wird.

1.3 NORMEN: Die H-Basis entspricht der/den nationalen oder regionalen Norm(en), die auf der Vorderseite dieses Handbuchs angegeben ist/sind. Wenn dieses Produkt außerhalb des ursprünglichen Bestimmungslandes wiederverkauft wird, muss der Wiederverkäufer diese Anweisungen in der Sprache des Landes zur Verfügung stellen, in dem das Produkt verwendet werden wird.

1.4 AUFSICHT: Die Installation dieser Ausrüstung muss durch eine sachkundige Person überwacht werden.¹ Die Verwendung dieser Ausrüstung muss durch eine befähigte Person überwacht werden.²

1.5 SCHULUNG: Der Anwender dieser Ausrüstung ist dafür verantwortlich, diese Anweisungen zu verstehen, und muss bezüglich der richtigen Montage, Verwendung und Wartung dieser Ausrüstung trainiert werden. Der Anwender muss sich der Folgen einer unsachgemäßen Montage oder Verwendung dieser Ausrüstung bewusst sein. Dieses Benutzerhandbuch ersetzt nicht das Schulungsprogramm. Regelmäßige Schulungen sind erforderlich, damit eine fachgerechte Verwendung durch den Anwender stets gewährleistet ist.

1 Sachkundige Person: Eine Person mit einem anerkannten Abschluss, Zertifikat oder beruflichen Status, oder die durch umfangreiches Wissen, Ausbildung und Erfahrung erfolgreich ihre Fähigkeit nachgewiesen hat, Probleme im Zusammenhang mit Absturzschutz- und Rettungssystemen in dem von einschlägigen nationalen, regionalen und lokalen Vorschriften geforderten Umfang zu lösen oder zu beheben.

2 Befähigte Person: Eine Person, die in der Lage ist, bestehende und vorhersehbare Risiken in der Umgebung oder bei Arbeitsbedingungen zu erkennen, die für Mitarbeiter gesundheitsgefährdend, gefährlich oder risikoreich sind, und die befugt ist, sofort korrigierende Maßnahmen zu ergreifen, um diese Risiken und Gefährdungen zu beseitigen.

- 1.6 RETTUNGSPLAN:** Beim Verwenden dieser Ausrüstung und dem Anschließen der Teilsysteme muss der Arbeitgeber über einen Rettungsplan und die Mittel zu dessen Durchführung verfügen. Außerdem muss er den Plan Anwendern, zuständigen Fachkräften und Rettungskräften übermitteln.³, und Retter⁴ Ein ausgebildetes internes Rettungsteam wird empfohlen. Die Teammitglieder sind mit den nötigen Geräten und Techniken für eine erfolgreiche Rettung auszustatten. Ein regelmäßiges Training ist erforderlich, damit die Befähigung des Rettungsteams stets gewährleistet ist.
- 1.7 NACH EINEM ABSTURZ:** Wenn die Ausrüstung Auffang- oder Aufprallkräften ausgesetzt ist, nehmen Sie diese sofort außer Betrieb. Markieren Sie deutlich mit „NICHT VERWENDEN“. Weitere Informationen finden Sie in Abschnitt 4.

2.0 MONTAGE

- 2.1 PLANUNG:** Planen Sie Ihr Absturzschutzsystem vor der Montage der Gegengewichtsbasis. Berücksichtigen Sie alle Faktoren, die Ihre Sicherheit vor, während und nach einem Absturz beeinträchtigen könnten. Sie alle in diesen Anweisungen beschriebenen Anforderungen, Einschränkungen und Spezifikationen.
- 2.2 ZUSAMMENBAU DER STAHL-AUSLEGERBASIS:** Siehe Abbildung 3. Positionieren Sie die mittlere Hauptbasis an der gewünschten Stelle. Setzen Sie die beiden Auslegerbeine ein und befestigen Sie sie mit dem mitgelieferten 1/2-Zoll-Befestigungsmaterial. Befestigungsmaterial mit 81 N-m (60 ft-lb) festziehen.
- 2.3 DEN ÜBERFAHRSCHUTZ MONTIEREN:** Siehe Abbildung 4. Den Überfahrerschutz positionieren. Befestigen Sie diese mit dem mitgelieferten 3/8-Zoll-Befestigungsmaterial. Befestigungsmaterial mit 61 N-m (45 ft-lb) festziehen.
- 2.4 DEN M100 KLÜVERBAUM AUF DER BASIS MONTIEREN:** Siehe Abbildung 5. Senken Sie den M100 Klüverbaum auf den Pfosten mit Kugelkopf der H-Basis ab.
- 1. DEN PFOSTEN SCHMIEREN:** Siehe Abbildung 6. Schmieren Sie den Schmiernippel am Pfosten mit Fett.
- 2.5 TRANSPORT DES SYSTEMS:** Siehe Abbildung 7. Das System kann mithilfe der Hebeführungen (B) transportiert werden, die sich unten an der Basis befinden. Positionieren Sie den Ständer vor dem Transport im gewünschten Winkel. Senken Sie den Sperrstift (A) ab, um die Drehung des Klüverarms während des Transports zu blockieren.

Transportieren Sie das System nicht ohne eingeführten Drehsperstift.

Die Transportgeschwindigkeit darf 8 km/h nicht überschreiten.

Beachten Sie beim Transport des Systems etwaige Hindernisse oberhalb der Kopfhöhe und elektrische Gefahren, die zu schweren Verletzungen oder zum Tod führen können.

3.0 VERWENDUNG

- 3.1 VOR JEDEM EINSATZ:** Stellen Sie sicher, dass Ihr Arbeitsbereich und Ihr Absturzschutzsystem alle in diesen Anweisungen definierten Kriterien erfüllen. Stellen Sie sicher, dass ein formeller Rettungsplan vorhanden ist. Überprüfen Sie das System anhand der im „Inspektions- und Wartungsprotokoll“ (Tabelle 2) definierten „Anwender“-Inspektionpunkte. Wenn bei der Überprüfung ein unsicherer oder mangelhafter Zustand festgestellt wird oder Zweifel hinsichtlich des Zustands für die sichere Verwendung bestehen, muss das System sofort außer Betrieb genommen werden. Markieren Sie das System deutlich mit „NICHT VERWENDEN“. Weitere Informationen finden Sie in Abschnitt 4.
- 3.2 POSITIONIERUNG DES SYSTEMS:** Siehe Abbildung 8. Stellen Sie die H-Basis auf eine ebene Unterlage, die den in Tabelle 1 genannten Festigkeitsanforderungen entspricht. Überprüfen Sie mithilfe der Nivellieranzeigen, ob die Neigung der ruhenden Struktur innerhalb von plus oder minus 1° von der Vertikalen in beiden Richtungen der Basis liegt.
- 3.3 SICHERER ARBEITSBEREICH:** Der sichere Arbeitsradius der Klüverbasis erstreckt sich nicht über die Länge der Klüverbasis selbst hinaus. Siehe Abbildung 9 als Referenz. Bei Verwendung des M100-Klüversystems sollte der Benutzer innerhalb der angegebenen sicheren Arbeitszone (A) bleiben. Das Verlassen der sicheren Arbeitszone zu einem außerhalb dieser liegenden Ort (B) ist gefährlich und kann zu schweren oder tödlichen Verletzungen führen. Wenn Sie auf beiden Seiten des M100 Klüversystems arbeiten, halten Sie den Verankerungspunkt so nah wie möglich über Kopf. Wenn ein Rotationsstopp an der Klüverhalterung angebracht ist, arbeiten Sie nie außerhalb des Bereichs dieses Rotationsstopps. Weitere Informationen finden Sie in der Bedienungsanleitung für den M100 Klüverbaum (5908371).

4.0 INSPEKTION

Nach der Außerbetriebnahme kann das Produkt erst dann wieder in Betrieb genommen werden, wenn ein Sachkundiger schriftlich bestätigt, dass dies zulässig ist.

- 4.1 INSPEKTIONSHÄUFIGKEIT:** Das Produkt muss vom Anwender vor jeder Benutzung und zusätzlich mindestens jährlich von einem Sachkundigen inspiziert werden, die nicht der Anwender ist. Eine höhere Einsatzhäufigkeit des Geräts und rauer Bedingungen können es erforderlich machen, die Häufigkeit der Inspektionen durch einen Sachkundigen zu erhöhen. Die Häufigkeit dieser Inspektionen sollte von der zuständigen Person je nach den spezifischen Bedingungen des Einsatzortes festgelegt werden.
- 4.2 INSPEKTIONSVERFAHREN:** Inspizieren Sie dieses Produkt gemäß den im „Inspektions- und Wartungsprotokoll“ aufgeführten Verfahren. Der Eigentümer dieser Ausrüstung sollte eine Dokumentation jeder Inspektion führen. Ein Inspektions- und Wartungsprotokoll sollte in der Nähe des Produkts angebracht oder anderweitig für Benutzer leicht zugänglich sein. Es wird empfohlen, dieses Produkt mit dem Datum der nächsten oder letzten Inspektion zu kennzeichnen.
- 4.3 SCHÄDEN:** Wenn die H-Basis aufgrund eines vorhandenen Defekts oder eines unsicheren Zustands nicht in Betrieb genommen werden kann, zerstören Sie entweder das System oder wenden Sie sich an 3M oder ein von 3M autorisiertes Servicezentrum bezüglich einer möglichen Reparatur.

3 Autorisierte Person: Eine Person, die vom Arbeitgeber dazu bestimmt ist, Aufgaben an einem Ort auszuführen, an dem sie einer Absturzgefahr ausgesetzt ist.

4 Retter: Eine Person, die das Rettungssystem benutzt, um eine assistierte Rettung durchzuführen.

4.4 PRODUKTLEBENSDAUER: Die Haltbarkeit der H-Basis wird von den Arbeitsbedingungen und der Wartung bestimmt. Solange das Produkt die Inspektionskriterien erfüllt, kann es in Betrieb bleiben.

5.0 WARTUNG, REPARATUR und AUFBEWAHRUNG

Ausrüstung, die gewartet werden muss oder für die eine Wartung geplant ist, sollte mit „NICHT VERWENDEN“ gekennzeichnet werden. Diese Gerätekennzeichnungen sollten bis zur Durchführung von Wartungsarbeiten nicht entfernt werden.

5.1 REINIGUNG: Reinigen Sie die Metallbauteile der H-Basis regelmäßig mit einer weichen Bürste, warmen Wasser und einer milden Seifenlösung. Vergewissern Sie sich, dass die Teile sorgfältig mit viel klarem Wasser gespült werden.

5.2 SERVICE: Nur 3M oder Dritte, die hierzu von 3M schriftlich autorisiert sind, dürfen Reparaturen an dieser Ausrüstung vornehmen.

5.3 LAGERUNG: Lagern Sie die H-Basis und die dazugehörige Absturzsicherungs-ausrüstung bei Nichtgebrauch in einer trockenen, sauberen Umgebung, in der es vor direkter Sonneneinstrahlung geschützt ist. Setzen Sie das Produkt keinen chemischen Dämpfen aus. Prüfen Sie die Komponenten nach langer Lagerung gründlich.

6.0 ETIKETTEN und MARKIERUNGEN

6.1 ETIKETTEN: Abbildung 10 zeigt die Etiketten auf der H-Basis. Etiketten müssen ersetzt werden, wenn sie nicht vollständig lesbar sind. Folgende Angaben sind auf jedem Etikett enthalten:

(A)	Warnetikett: 1) CE-Zertifizierung 2) Lesen Sie die Anleitung 3) Firmenlogo 4) CE-Zertifizierung und OSHA-Zertifizierung 5) Sicherer Arbeitsradius 6) Maximales Gewichte der H-Basis = kleiner oder gleich Symbol 605 kg 7) Maximales Gewicht des M100-Klüverbaums = kleiner oder gleich dem Symbol 365 kg 8) Maximales Gewicht von H-Basis + M100 Klüverbaum = kleiner oder gleich Symbol 970 kg 9) Maximale Neigung der Stützfläche = +/- 1°
(B)	Identifikationsetikett: 1) Herstellungsdatum (Jahr/Monat) 2) Modellnummer 3) Seriennummer 4) Firmenlogo

INFORMACIÓN DE SEGURIDAD

ES

Lea, comprenda y cumpla con todo lo dispuesto en la información de seguridad contenida en estas instrucciones antes de utilizar este sistema Flexiguard. **SI NO LO HACE, PUEDE SUFRIR GRAVES LESIONES O LA MUERTE.**

Estas instrucciones deben entregarse al usuario de este equipo. Conserve las instrucciones para futuras consultas.

Uso previsto:

Este sistema Flexiguard está pensado para ser utilizado como parte de un sistema completo de protección contra caídas o de rescate.

El empleo en cualquier otra aplicación, entre otras, la manipulación de materiales, actividades de recreo o deportivas, u otras actividades no descritas en las instrucciones para el usuario o en las instrucciones de instalación, no está aprobado por 3M y puede provocar lesiones graves o la muerte.

Este sistema solo deben usarlo usuarios formados en su utilización en aplicaciones dentro del lugar de trabajo.



ADVERTENCIA

Este sistema Flexiguard es parte de un sistema personal de protección contra caídas o de rescate. Se espera que todos los usuarios se hayan formado completamente en la instalación y uso seguro del sistema completo. **El mal uso de este sistema puede provocar lesiones graves o la muerte.** Para una adecuada selección, uso, instalación mantenimiento, inspección y reparación, consulte las instrucciones del producto y todas las recomendaciones del fabricante, contacte con su supervisor o con el servicio técnico de 3M.

- **Para reducir los peligros asociados con el transporte de un sistema Flexiguard, si no se evitan, pueden provocar lesiones graves o la muerte:**
 - Asegúrese de que el sistema está bien asegurado o configurado antes del transporte. Consulte las instrucciones del usuario para ver los requisitos de transporte detallados.
 - Transpórtelo solo a una velocidad de no más de 8 km/h (5 mph), y con una inclinación de 10° o menos, o tal y como se describe en las instrucciones del usuario.
 - Asegúrese de que el sistema no entre en contacto con objetos que se encuentren por encima, o con tendido eléctrico, durante su transporte o su uso.
- **Para reducir los riesgos asociados con trabajar con un sistema Flexiguard que, si no se evitan, pueden provocar lesiones graves o la muerte:**
 - Inspeccione todos los componentes del sistema antes de cada uso, al menos, con una periodicidad anual, y después de que el sistema haya soportado una caída. Realice la inspección según las instrucciones del producto.
 - Si la inspección revela una situación poco segura o algún defecto, retire el sistema del servicio, repárelo o reemplácelo, según se indique en estas instrucciones.
 - Cualquier sistema que haya estado sometido a una fuerza de detención de caídas o impacto deberá retirarse inmediatamente del servicio. Consulte las Instrucciones para el usuario o póngase en contacto con 3M Fall Protection.
 - El substrato o la estructura a la que se fije/donde se posicione el sistema debe poder soportar las cargas estáticas especificadas para el sistema en las orientaciones permitidas en las instrucciones del usuario o en las instrucciones de instalación.
 - No exceda el número de usuarios permitido según las instrucciones de uso.
 - No se conecte nunca a un sistema hasta que esté totalmente montado, posicionado, ajustado e instalado. No ajuste el sistema cuando haya un usuario conectado.
 - Nunca trabaje fuera del área segura de trabajo definida en las instrucciones del usuario.
 - No establezca una conexión con el sistema mientras se transporta o instala.
 - Mantenga siempre un amarre del 100 % cuando realice transferencias entre los puntos de anclaje del sistema.
 - Tenga precaución al instalar, usar y trasladar el sistema, ya que las partes móviles pueden crear posibles puntos de enganche.
 - Asegúrese de que se han seguido los procedimientos de bloqueo/etiquetado aplicables adecuados.
 - Conecte solo subsistemas de protección contra caídas en el punto conector de anclaje designado del sistema.
 - Cuando taladre orificios para el ensamblaje o la instalación del sistema, asegúrese de que el taladro no entre en contacto con cableado eléctrico, tuberías de gas u otros materiales o equipo críticos.
 - Asegúrese de que los sistemas/subsistemas de protección contra caídas conectados con componentes hechos por distintos fabricantes son compatibles y cumplen los requisitos de las normas aplicables, incluyendo los ANSI Z359 u otros códigos, normas o requisitos de protección contra caídas aplicables. Consulte siempre con personal cualificado o competente antes de usar estos sistemas.
- **Para reducir los peligros asociados con el trabajo en altura que, si no se evitan, pueden provocar lesiones graves o la muerte:**
 - Asegúrese de que su salud y condición física le permiten resistir con seguridad todas las fuerzas asociadas con el trabajo en altura. Consulte con su médico si tiene alguna pregunta con respecto a su capacidad para utilizar este equipo.
 - Nunca exceda la capacidad de carga de su equipo de protección contra caídas.
 - Nunca exceda la distancia máxima de caída libre de su equipo de protección contra caídas.
 - No utilice ningún equipo de protección contra caídas que haya fallado antes de usarse o no haya pasado otras inspecciones programadas, o si tiene dudas sobre el uso o la idoneidad del equipo para su aplicación. Póngase en contacto con los servicios técnicos de 3M si tiene cualquier pregunta.
 - Algunas combinaciones de subsistemas y componentes pueden perjudicar el funcionamiento del equipo. Use solo conectores compatibles. Consulte con 3M antes de emplear este equipo con componentes o subsistemas distintos de los descritos en las instrucciones para el usuario.
 - Extrema la precaución cuando se encuentre alrededor de maquinaria en movimiento (p. ej., mecanismos de activación superiores de plataformas petrolíferas), cuando existan riesgos eléctricos, temperaturas extremas, peligros químicos, gases explosivos o tóxicos, bordes afilados o materiales que se encuentren por encima de usted y que podrían caer sobre usted o sobre el equipo de protección contra caídas.
 - Use dispositivos para trabajos en caliente o arco eléctrico cuando trabaje en ambientes a altas temperaturas.
 - Evite superficies y objetos que puedan dañar al usuario o al equipo.
 - Asegúrese de que haya una distancia de caída adecuada cuando trabaje en altura.
 - Nunca modifique o altere su equipo de protección contra caídas. Sólo 3M o las partes autorizadas por escrito por 3M pueden reparar el equipo.
 - Antes de usar el equipo de protección contra caídas, asegúrese de que existe un plan de rescate que permita un rápido rescate si se produce un incidente de caída.
 - Si se produce un incidente de caída, busque atención médica inmediatamente para el trabajador que se haya caído.
 - No utilice un cinturón corporal para las aplicaciones de detención de caídas. Use sólo un arnés de cuerpo completo.
 - Trabaje en un lugar situado lo más directamente posible por debajo del punto de anclaje para minimizar la posibilidad de caídas con balanceo.
 - Si se está formando con este dispositivo, se debe utilizar un sistema de protección contra caídas secundario de manera que no exponga al aprendiz a un riesgo de caída involuntaria.
 - Lleve siempre el equipo de protección individual apropiado cuando instale, use o inspeccione el dispositivo/sistema.

Antes de utilizar este equipo, registre la información de identificación del producto indicada en la etiqueta de identificación en el «Registro de inspección y mantenimiento» al final de este manual.

Asegúrese siempre de estar utilizando la última revisión de su manual de instrucciones de 3M. Visite el sitio web de 3M o póngase en contacto con el Servicio Técnico de 3M para obtener los manuales de instrucciones actualizados.

DESCRIPCIÓN DEL PRODUCTO:

En la figura 1, se muestra la base en H del sistema de brazo modular Flexiguard™ M100 de 3M™. La base en H está diseñada para usarse con mástiles M100 aprobados para el sistema de pluma modular Flexiguard. El sistema es independiente y no precisa ningún contrapeso adicional. La base en H permite que los vehículos pasen sobre las patas estabilizadoras para acercarse al mástil y que el usuario pueda trabajar encima de los vehículos.

En la figura 2, se muestran los componentes de la base en H. Consulte la tabla 1 para comprobar las especificaciones de los componentes. El poste de bola de enganche (A) es el receptor para montar el mástil M100 aprobado para el sistema Flexiguard de 3M. Las patas estabilizadoras (D) proporcionan soporte para la base en H y están conectadas por la base central principal (B), donde se encuentran los indicadores de nivel (C). Use los Indicadores de nivel para comprobar que el sistema se encuentra dentro de +/- 1° de pendiente permitida. Los canales de elevación (E) se utilizan para transportar la base en H con una carretilla elevadora, transpaleta, grúa, etc.

Tabla 1 – Especificaciones

Especificaciones del sistema:		
Compatibilidad:	La base en H en suelo cubiertas en estas instrucciones son compatibles con el sistema de pluma modular DBI-SALA® Flexiguard™ M100 de 3M™.	
Normas:	Diseñado y probado para cumplir con EN795:2012 (tipo B), OSHA 1926.502 y OSHA 1910.140.	
Capacidad:	Consulte las instrucciones del sistema de pluma modular DBI-SALA® Flexiguard™ M100 de 3M™ (5908371).	
Peso del producto:	605 kg (1335 lb)	
Requisitos de la estructura de descanso:	La estructura que soporta el sistema de detención de caídas debe soportar una carga vertical de la pluma de 1830 kg (4035 lb) más el peso.	
Desviación máxima:	Consulte el manual de instrucciones del brazo de pluma M100 (5908371) para obtener más información sobre la desviación máxima del sistema.	
Fuerza máxima de detención:	Todos los subsistemas de conexión (SRD, eslingas de absorción de energía, etc.) utilizados con la base de contrapeso deben limitar la fuerza de detención máxima a 6 kN (1350 lbf).	
Especificaciones de componentes:		
Referencia de la figura 2	Componente	Materiales
(A)	Mástil de bola de enganche	Acero
(B)	Base central principal	Acero
(C)	Indicadores de nivel	Plástico
(D)	Patas estabilizadoras	Acero
(E)	Canales de elevación	Acero

1.0 APLICACIÓN DEL PRODUCTO

- 1.1 OBJETIVO:** La base en H está diseñada para usarse como parte de un sistema de detención de caídas.
- 1.2 DESCRIPCIÓN:** La base de montaje en el suelo (figura 1) está diseñada para llenarse de hormigón y utilizarse como punto de montaje para el sistema de pluma modular DBI-SALA® Flexiguard™ M100 de 3M™.
- 1.3 NORMAS:** La base en H cumple las normas nacionales o regionales identificadas en la cubierta de estas instrucciones. Si se revende este producto fuera del país de destino original, el revendedor deberá proporcionar estas instrucciones en el idioma del país en donde se vaya a utilizar el producto.
- 1.4 SUPERVISIÓN:** La instalación de este equipo la debe supervisar personal cualificado¹. El uso de este equipo lo debe supervisar una persona competente.²
- 1.5 FORMACIÓN:** Es responsabilidad de los usuarios de este equipo comprender estas instrucciones y recibir formación sobre la instalación, el uso y el mantenimiento adecuados de este equipo. Los usuarios deben conocer las consecuencias de una instalación o un uso inapropiado de este equipo. Este manual de instrucciones no sirve como sustituto de un programa de formación. Es necesario proporcionar formación a los usuarios de forma periódica para garantizar que sean competentes en el uso del equipo.
- 1.6 PLAN DE RESCATE:** Al utilizar este equipo y los subsistemas de conexión, la empresa deberá contar con un plan de rescate y los medios necesarios para llevarlo a término e informar de dicho plan a los usuarios, las personas autorizadas

1 Persona cualificada: Una persona con título, certificado o prestigio profesional reconocido, o que con un amplio conocimiento, formación y experiencia haya demostrado con éxito su capacidad para solucionar o resolver problemas relacionados con la protección contra caídas y sistemas de rescate en la medida requerida por regulaciones nacionales, regionales y locales aplicables.

2 Persona competente: Persona capaz de identificar peligros existentes y predecibles en el entorno o condiciones de trabajo insalubres, nocivas o peligrosas para los empleados y que cuenta con autorización para tomar medidas correctivas rápidas conducentes a su supresión.

y los responsables del rescate.³ y rescatadores⁴. Se recomienda tener en el centro un equipo de rescate con formación. Se deben proporcionar a los miembros del equipo las técnicas y el equipo para llevar a cabo un rescate con éxito. Se debe proporcionar de forma periódica formación a los responsables del rescate para garantizar su competencia.

- 1.7 DESPUÉS DE UNA CAÍDA:** Si el producto se ha utilizado para tener una caída o se sometido a una fuerza de impacto, retire el dispositivo del servicio de inmediato. Márquelo claramente con «NO UTILIZAR». Consulte la sección 4 para obtener más información.

2.0 INSTALACIÓN

- 2.1 PLANIFICACIÓN:** Planifique su sistema de protección contra caídas antes de instalar la base de contrapeso. Tenga en cuenta todos los factores que podrían afectar a su seguridad antes, durante y después de una caída. Tenga en cuenta todos los requisitos, limitaciones y especificaciones definidos en estas instrucciones.
- 2.2 MONTE LA BASE DEL ESTABILIZADOR DE ACERO:** Consulte la figura 3. Coloque la base central principal en la ubicación deseada. Coloque las dos patas estabilizadoras en su lugar y fíjelas con la tornillería de (1,27) 0,5 in suministrada. Apriete la tornillería a 81 N-m (60 ft-lb).
- 2.3 INSTALE LA PROTECCIONES PARA PASO DE VEHÍCULO:** consulte la figura 4. Coloque las protecciones para paso de vehículo. Fijar con la tornillería de 1 cm (0,37 in) suministrado. Apriete la tornillería a 61 N-m (45 ft-lb).
- 2.4 INSTALACIÓN DEL BRAZO DE PLUMA M100 EN LA BASE:** Consulte la figura 5. Baje el brazo de pluma M100 sobre el poste de la bola de enganche de la base en H.
- 1. LUBRICACIÓN DEL MÁSTIL:** consulte la figura 6. Aplique grasa al engrasador ubicado en el mástil.
- 2.5 TRANSPORTE DEL SISTEMA:** Consulte la figura 7. El sistema puede transportarse utilizando los canales de elevación (B) ubicados en la parte inferior de la base. Antes del transporte, coloque el conjunto vertical en el ángulo deseado. Baje el pasador de bloqueo (A) para bloquear la rotación del brazo de pluma durante el transporte.

No transporte el sistema sin el pasador de bloqueo de rotación insertado.

No realice el transporte a velocidades superiores a 8 km/h (5 mph).

Al transportar el sistema, tenga en cuenta las obstrucciones aéreas y los riesgos eléctricos que pueden provocar lesiones graves o mortales.

3.0 USO

- 3.1 ANTES DE CADA USO:** Verifique que su área de trabajo y el sistema de protección contra caídas cumplan con todos los criterios definidos en estas instrucciones. Compruebe que exista un plan de rescate formal. Revise el sistema conforme a los puntos de inspección del *usuario* definidos en el «Registro de inspección y mantenimiento» (tabla 2). Si la inspección pone de manifiesto una condición insegura o defectuosa, o si hay alguna duda sobre su estado para un uso seguro, retire el sistema del servicio de inmediato. Marque claramente el sistema con «NO UTILIZAR». Consulte la sección 4 para obtener más información.
- 3.2 COLOCACIÓN DEL SISTEMA:** Consulte la figura 8. Coloque la base en H sobre una estructura de soporte nivelada que cumpla con los requisitos de resistencia mencionados en la tabla 1. Usando los indicadores de nivel, compruebe que la pendiente de la estructura de soporte en reposo esté dentro de +/- 1° respecto a la vertical en ambas direcciones de la base.
- 3.3 ÁREA DE TRABAJO SEGURA:** El radio de trabajo seguro de la base de pluma no se extiende más allá de la longitud de la propia base. Consulte la figura 9 como referencia. Al utilizar el sistema de pluma M100, el usuario debe permanecer dentro de la zona de trabajo segura (A) indicada. Salir de la zona de trabajo segura hacia un lugar externo (B) es peligroso y puede provocar lesiones graves o mortales. Cuando trabaje a ambos lados del sistema de pluma M100, mantenga el punto de anclaje lo más cerca posible de la parte superior. Si hay un tope de rotación en el soporte de la pluma, nunca trabaje más allá de ese tope de rotación. Para obtener más información, consulte las Instrucciones del usuario del brazo de pluma M100 (5908371).

4.0 INSPECCIÓN

Cuando el producto se haya retirado del servicio, no podrá volver a ponerse en servicio hasta que una persona cualificada confirme por escrito que es aceptable hacerlo.

- 4.1 FRECUENCIA DE LAS INSPECCIONES:** El producto debe ser revisado por el usuario antes de cada uso y, adicionalmente, por una persona competente que no sea el usuario en intervalos no superiores a un año. Una mayor frecuencia de uso del equipo y condiciones más severas pueden requerir aumentar la frecuencia de las inspecciones de la persona competente. La frecuencia de estas inspecciones debe ser determinada por la persona competente según las condiciones específicas del lugar de trabajo.
- 4.2 PROCEDIMIENTOS DE INSPECCIÓN:** Inspeccione el producto según los procedimientos definidos en «Registro de inspección y mantenimiento». El propietario de este equipo debe conservar la documentación de cada inspección. Se debe colocar un registro de inspección y mantenimiento cerca del producto o en otro punto que sea de fácil acceso para los usuarios. Se recomienda que este producto esté marcado con la fecha de la próxima o última inspección.
- 4.3 DEFECTOS:** Si la base en H no se puede devolver al servicio debido a un defecto existente o una condición insegura, destruya el sistema o póngase en contacto con 3M o con un centro de servicio autorizado por 3M para una posible reparación.

3 Persona autorizada: Una persona asignada por el empleador para realizar tareas en una ubicación donde estará expuesto a riesgo de caída.

4 Rescatador: Una persona que usa el sistema de rescate para realizar un rescate asistido.

4.4 VIDA ÚTIL DEL PRODUCTO: La vida útil de la base en H se determina según las condiciones de uso y mantenimiento. El producto podrá seguir utilizándose siempre que cumpla con los criterios de inspección.

5.0 MANTENIMIENTO, REPARACIONES y ALMACENAMIENTO

Cuando un equipo precise mantenimiento o esté programado para el mismo debe estar etiquetado como «NO UTILIZAR». Estas etiquetas de equipo no se deben quitar hasta que se realice el mantenimiento.

5.1 LIMPIEZA: Limpie periódicamente la base en H con un cepillo suave, agua templada y una solución jabonosa suave. Asegúrese de enjuagar perfectamente las piezas con agua limpia.

5.2 SERVICIO: Solo 3M o las personas autorizadas por escrito por 3M podrán reparar este equipo.

5.3 ALMACENAMIENTO: Si corresponde, guarde la base en H y el correspondiente equipo de protección contra caídas en un entorno fresco, seco y limpio, alejado de la luz solar directa. Evite las zonas donde pueda haber vapores químicos. Inspeccione exhaustivamente los componentes después de un periodo prolongado de almacenamiento.

6.0 ETIQUETAS y MARCAS

6.1 ETIQUETAS: En la figura 10, se muestran las etiquetas presentes en la base en H. Si las etiquetas no son totalmente legibles, deberán sustituirse. La información de las etiquetas es la siguiente:

(A)	Etiqueta de precaución: 1) Certificación CE 2) Lea las instrucciones 3) Logotipo de la empresa 4) Certificación CE y certificación OSHA 5) Radio de trabajo seguro 6) Peso máximo de la base en H = menor o igual que el símbolo 407 kg (1335 lb) 7) Peso máximo del brazo de pluma M100 = menor o igual al símbolo 365 kg (805 lb) 8) Peso máximo de la base en H + brazo de pluma M100 = menor o igual que el símbolo 970 kg (2140 lb) 9) Pendiente máxima de superficie de soporte = +/- 1°
(B)	Etiqueta de identificación: 1) Fecha de fabricación (año/mes) 2) Número de modelo 3) Número de serie 4) Logotipo de la empresa

TURVALLISUUSTIEDOT

Lue, ymmärrä ja noudata kaikkia näissä ohjeissa olevia turvallisuustietoja ennen Flexiguard-järjestelmän käyttöä. **EDELLÄ MAINITUN LAIMINLYÖNTI VOI JOHTAA VAKAAN LOUKKAANTUMISEEN TAI KUOLEMAAN.**

Nämä ohjeet tulee antaa näiden varusteiden käyttäjälle. Säilytä nämä ohjeet myöhempää tarvetta varten.

Käyttötarkoitus:

Tämä Flexiguard-järjestelmä on tarkoitettu käytettäväksi osana täyttä putoamisenesto- tai pelastusjärjestelmää.

Muihin tarkoituksiin käyttäminen mm. materiaalien käsittelyssä, virkistys- tai urheilutoimissa tai muissa toiminnoissa, joita ei kuvata käyttöohjeessa tai asennusohjeessa, ei ole 3M:n sallimaa ja saattaa johtaa vakavaan loukkaantumiseen tai kuolemaan.

Ainoastaan koulutetut käyttäjät saavat käyttää tätä järjestelmää työskentelytarkoituksiin.

VAROITUS

Tämä Flexiguard-järjestelmä on osa putoamisenesto- tai pelastusjärjestelmää. Kaikkien käyttäjien odotetaan olevan täysin koulutettuja koko järjestelmän turvallisen asentamisen ja käytön suhteen. **Tämän järjestelmän väärinkäyttö voi johtaa vakavaan loukkaantumiseen tai kuolemaan.** Tietoja asianmukaisesta valinnasta, käytöstä, asennuksesta, ylläpidosta ja huollosta saat tutkimalla kaikkia tuoteohjeita ja kaikkia valmistajan suosituksia, kysymällä esimieheltäsi tai ottamalla yhteyttä 3M:n tekniseen palveluun.

- **Vähentääksesi Flexiguard-järjestelmän kuljettamiseen liittyviä riskejä, jotka mahdollisesti voivat aiheuttaa vakavan loukkaantumisen tai kuoleman:**
 - Varmista, että järjestelmä on kunnolla kiinnitetty tai konfiguroitu ennen kuljetusta. Katso käyttöohjeesta lisätietoja kuljetusvaatimuksista.
 - Kuljeta järjestelmää alle 8 km/h nopeudella ja enintään 10°:n nousulla tai muuten käyttöohjeen määrittämällä tavalla.
 - Varmista, ettei järjestelmä pääse kosketuksiin sen yläpuolella olevien kohteiden kanssa tai ettei se aiheuta sähkövaaraa kuljetuksen tai käytön aikana.
- **Vähentääksesi Flexiguard-järjestelmän kanssa työskentelyyn liittyviä riskejä, jotka mahdollisesti voivat aiheuttaa vakavan loukkaantumisen tai kuoleman:**
 - Tarkasta kaikki järjestelmän komponentit ennen jokaista käyttökertaa, vähintään kerran vuodessa ja jokaisen putoamistapauksen jälkeen. Suorita tarkastus käyttöohjeiden mukaisesti.
 - Jos valtuutetussa tarkastuksessa ilmenee vaarallinen tai viallinen tila, poista järjestelmä käytöstä ja korjaa tai vaihda se käyttöohjeiden mukaisesti.
 - Kaikki järjestelmät, joita on käytetty putoamisen pysäyttämiseen tai joihin on kohdistunut putoamiseneston iskuvoima, on välittömästi poistettava käytöstä. Lisätietoja saa käyttöohjeista tai ottamalla yhteyttä 3M-putoamisenestoon.
 - Materiaalin tai rakenteen, johon järjestelmä kiinnitetään/asennetaan, tulee kannattaa käyttöohjeen tai asennusohjeen järjestelmälle salliman staattisen kuorman asianmukaisissa suunnissa.
 - Älä ylitä käyttöohjeessa määritettyä käyttäjien sallittua enimmäislukumäärää.
 - Älä koskaan kiinnitä järjestelmään ennen kuin se on täysin koottu, asetettu paikalleen, säädetty ja asennettu. Älä säädä järjestelmää käyttäjän ollessa kiinni.
 - Älä koskaan työskentele käyttöohjeessa määritetyn, turvallisen työskentelyalueen ulkopuolella.
 - Älä kytkeydy järjestelmään, kun sitä kuljetetaan tai asennetaan.
 - Ylläpidä aina sataprosenttinen sidonta järjestelmän ankkurointikohtien välillä siirrettäessä.
 - Ole varovainen asentaessasi, käyttäessäsi ja siirtäessäsi järjestelmää, sillä liikkuvat osat voivat aiheuttaa mahdollisia puristumisvaaroja.
 - Varmista, että asianmukaista vahinkokäynnistyksen estoa noudatetaan tarpeen mukaan.
 - Kytke putoamiseneston alijärjestelmät ainoastaan järjestelmän niille määrättyihin ankkurointikiinnityskohtiin.
 - Poratessasi asennusreikiä tai asentaessasi järjestelmää varmista, ettei sähköjohtoja, kaasujohtoja tai muita tärkeitä sisäisiä järjestelmiä tai laitteita pääse kosketuksiin poran kanssa.
 - Varmista, että muiden valmistajien komponenteista kootut putoamisenestojärjestelmät/alijärjestelmät ovat yhteensopivia ja täyttävät asianomaisten standardien vaatimukset, mukaan lukien ANSI Z359, tai muut sovellettavat putoamisenestokoodit, -standardit tai -vaatimukset. Ennen näiden järjestelmien käyttöä tulee aina kääntyä pätevän tai pätevoidyn henkilön puoleen.
- **Vähentääksesi korkealla työskentelyyn liittyviä riskejä, jotka mahdollisesti voivat aiheuttaa vakavan loukkaantumisen tai kuoleman:**
 - Varmista, että terveydentilasi ja fyysinen kuntosi on tarpeeksi hyvä, jotta pystyt kestämään kaikki korkealla työskentelyyn liittyvät voimat. Keskukselle lääkärisi kanssa, mikäli sinulla on kysyttävää näiden laitteiden käyttöön liittyvistä valmiuksista.
 - Älä koskaan ylitä putoamisenestolaitteiden sallittua kapasiteettia.
 - Älä koskaan ylitä putoamisenestolaitteiden vapaan pudotuksen enimmäisetäisyyttä.
 - Älä käytä putoamisenestolaitteita, jotka eivät läpäise ennen käyttöä tehtäviä tai muita suunniteltuja tarkastuksia tai jos olet huolissasi laitteiden käytöstä tai sopivuudesta käyttötarkoitukseen. Jos sinulla on kysyttävää, ota yhteyttä 3M:n tekniseen palveluun.
 - Jotkut alajärjestelmä- ja osayhdistelmät saattavat häiritä tämän laitteen toimintaa. Käytä vain yhteensopivia liitäntöjä. Ota yhteyttä 3M:ään ennen tämän laitteen käyttöä yhdessä sellaisten osien tai alajärjestelmien kanssa, joita ei kuvata tässä käyttöohjeessa.
 - Ota käyttöön ylimääräisiä varoimenpiteitä työskennellessäsi liikkuvien laitteiden (esim. öljynporaustormien koneistot), sähkövaarojen, korkeiden lämpötilojen, kemiallisten vaarojen, räjähtävien tai myrkyllisten kaasujen tai terävien reunojen läheisyydessä tai mikäli yläpuolellasi on mahdollisesti päällesi tai putoamisenestolaitteen päälle putoavia materiaaleja.
 - Käytä valokaari- tai kuumatyökaluita, kun työskentelet erittäin kuumissa ympäristöissä.
 - Vältä pintoja ja esineitä, jotka voivat vahingoittaa käyttäjää tai laitteita.
 - Varmista, että korkealla työskennellessä käytössä on riittävä putoamiskorkeus.
 - Älä koskaan muokkaa tai muuta putoamisenestolaitetta. Vain 3M tai sen kirjallisesti valtuuttamat tahot saavat tehdä korjauksia tähän laitteeseen.
 - Ennen putoamisenestolaitteiden käyttöä varmista, että käytössä on pelastussuunnitelma, jonka avulla voidaan toteuttaa nopea pelastus putoamistapaturman tapahtuessa.
 - Putoamistapaturman sattuessa tulee pudonneelle työntekijälle antaa välittömästi lääkinnällistä apua.
 - Älä käytä vartalovyötä putoamisenestosovelluksissa. Käytä ainoastaan kokovartalovaljaita.
 - Minimoi heilahtavan putoamisen mahdollisuus työskentelemällä niin suoraan ankkurointipisteen alla kuin mahdollista.
 - Mikäli laitteella harjoitellaan, on käytettävä toisijaista putoamisenestojärjestelmää tavalla, joka ei altista koulutettavaa henkilöä tahattomalle putoamiselle.
 - Käytä aina asianmukaisia henkilösuojaimia kun asennat, käytät tai tarkastat laitetta/järjestelmää.

Merkitse ennen tämän tuotteen käyttöä tuotteen tunnistustiedot sen tunnusmerkinnästä tämän käyttöoppaan takana olevaan tarkastus- ja kunnossapitolokiin.

Varmista aina, että käytössä on viimeisin versio 3M-käyttöoppaasta. Päivitetyt käyttöoppaan saa 3M-verkkosivustosta tai ottamalla yhteyden 3M:n teknisiin palveluihin.

TUOTEKUVAUS:

Kuvassa 1 on modulaarisen 3M™ Flexiguard™ -puomijärjestelmän M100-H-alusta. H-alusta on suunniteltu käytettäväksi modulaarisen Flexiguard-puomijärjestelmän hyväksytyjen M100-mastojen kanssa. Järjestelmä on vapaasti seisova eikä vaadi ylimääräistä vastapainoa. H-alusta mahdollistaa ajoneuvojen ajamisen tukijalkojen ylitse, jotta ne saadaan lähemmäksi mastoa ja jotta käyttäjä voi työskennellä ajoneuvojen päällä.

Kuvassa 2 on H-alustan osat. Katso osien tekniset tiedot taulukosta 1. Pallokiinnityspylväs (A) on laite, johon hyväksytty 3M Flexiguard M100 -masto asennetaan. Tukijalat (D) tukevat H-alustaa, ja ne on yhdistetty keskimmaisella pääalustalla (B), jossa vatupassit (C) sijaitsevat. Tarkista vatupasseista, että järjestelmä on +/- 1°:n sisällä sallitusta kaltevuudesta. Nostokanavia (E) käytetään H-alustan kuljettamiseen esimerkiksi trukilla, lavanostimella tai nosturilla.

Taulukko 1 – Tekniset tiedot

Järjestelmän tekniset tiedot:		
Yhteensopivuus:	H-alusta ohjeess kiinnitettävät ovat yhteensopivia 3M:n™ modulaarisen DBI-SALA® Flexiguard™ -puomijärjestelmän M100 kanssa.	
Standardit:	Suunniteltu ja testattu standardien EN 795:2012 (tyyppi B), OSHA 1926.502 ja OSHA 1910.140 vaatimusten mukaisesti.	
Enimmäiskantavuus:	Katso modulaarisen 3M DBI-SALA Flexiguard -puomijärjestelmän M100 ohjeet 5908371.	
Tuotteen paino:	605 kg (1 335 lb)	
Tukirakenteen vaatimukset:	Putoamissuojajärjestelmää tukevien rakenteiden on kestettävä 1 830 kg (4 035 lb) + puomin pystysuuntaisen kuorman paino.	
Suurin sallittu taipuma:	Katso lisätietoja järjestelmän suurimmasta sallitusta taipumasta M100-puomijärjestelmän (5908371) käyttöoppaasta.	
Suurin sallittu pysäytysvoima:	Kaikkien vastapainon alustan kanssa käytettävien toisiinsa kytkettävien osajärjestelmien (itsekelautuvat laitteet, energiaa vaimentavat turvahihnat jne.) on rajoitettava suurin sallittu pysäytysvoima tasolle 6 kN (1 350 lbf).	
Osien tekniset tiedot:		
Kuva 2, viite	Osa	Materiaalit
Ⓐ	Pallokiinnityspylväs	Teräs
Ⓑ	Keskimmäinen pääalusta	Teräs
Ⓒ	Vatupassit	Muovi
Ⓓ	Tukijalat	Teräs
Ⓔ	Nostokanavat	Teräs

1.0 TUOTTEEN KÄYTTÖKOHDE

1.1 TARKOITUS: H-alusta on suunniteltu käytettäväksi osana putoamissuojajärjestelmää.

1.2 KUVAUS: Lattiakiinnitysalue (kuva 1) on suunniteltu asetettavaksi tasaiselle alustalle ja käytettäväksi modulaarisen 3M™ DBI-SALA® Flexiguard™ -puomijärjestelmän M100 asennuspisteenä.

1.3 STANDARDIT: H-alusta täyttää kansalliset tai alueelliset standardit, jotka on merkitty näiden ohjeiden etukanteen. Jos tätä tuotetta jälleenmyydään alkuperäisen kohdemaan ulkopuolella, jälleenmyyjän on toimitettava nämä ohjeet tuotteen käyttömaan kielellä.

1.4 VALVONTA: Tämän laitteen asennuksen tulee tapahtua pätevyityneen henkilön valvonnassa¹. Tämän laitteen käytön tulee tapahtua pätevän henkilön valvonnassa².

1.5 KOULUTUS: Laitteen käyttäjien vastuulla on ymmärtää nämä ohjeet ja saada koulutusta tämän laitteen oikeasta asennuksesta, käytöstä ja kunnossapidosta. Käyttäjien on oltava tietoisia tämän laitteen virheellisen asennuksen tai käytön seurauksista. Tämä käyttöopas ei korvaa koulutusohjelmaa. Käyttäjien pätevyys tulee varmistaa antamalla koulutusta säännöllisin väliajoin.

1.6 PELASTUSSUUNNITELMA: Työnantajalla on laitetta ja siihen liitettyjä lisäjärjestelmiä käytettäessä oltava pelastussuunnitelma ja valmiudet sekä suunnitelman toteuttamiseen että siitä tiedottamiseen laitteen käyttäjille, valtuutetuille henkilöille³ ja pelastushenkilöille⁴. Koulutettua, paikan päällä olevaa pelastushenkilöstöä suositellaan.

1 Pätevyitynyt henkilö: Henkilö, jolla on hyväksytty tutkinto, sertifikaatti tai ammatilliset edellytykset tai joka on laajan tietämyksen, koulutuksen ja kokemuksen kautta osoittanut kykynsä ratkaista tai korjata putoamissuojaukseen ja pelastusjärjestelmiin liittyviä ongelmia asianmukaisten kansallisten, alueellisten tai paikallisten säädösten edellyttämällä tasolla.

2 Pätevä henkilö: Henkilö, joka pystyy tunnistamaan olemassa olevat ja ennustettavat vaaratekijät ympäristössä tai riskialttiit, epähygieeniset tai työntekijöille vaaralliset työolosuhteet ja jolla on valtuudet ryhtyä toimiin niiden poistamiseksi.

3 Valtuutettu henkilö: Työnantajan määräämä henkilö, joka suorittaa tehtäviä sellaisessa paikassa, jossa henkilö altistuu putoamisvaaralle.

4 Pelastushenkilö: Henkilö, joka suorittaa avustetun pelastuksen käyttäen pelastusjärjestelmää.

Pelastushenkilöstön jäsenillä tulisi olla hallussaan onnistuneeseen pelastamiseen tarvittavat laitteet ja tekniikka. Pelastushenkilöstön riittävä määrä tulee varmistaa antamalla koulutusta säännöllisin väliajoin.

- 1.7 PUTOAMISEN JÄLKEEN:** Jos laite altistuu putoamisenestolle tai iskuvoimille, poista se välittömästi käytöstä. Merkitse siihen selkeästi "EI SAA KÄYTTÄÄ". Lisätietoja on osiossa 4.

2.0 ASENUS

- 2.1 SUUNNITTELU:** Putoamissuojausjärjestelmä tulee suunnitella ennen vastapainon alustan asentamista. Ota huomioon kaikki tekijät, jotka voivat vaikuttaa turvallisuuteen ennen putoamista, sen aikana ja sen jälkeen. Ota huomioon kaikki näissä ohjeissa luetellut vaatimukset, rajoitukset ja tekniset tiedot.
- 2.2 KOKOA TERÄKSINEN TUKIALUSTA:** Katso kuvaa 3. Sijoita keskimäinen pääalusta haluttuun kohtaan. Aseta kaksi tukijalkaa paikalleen ja kiinnitä ne mukana toimitetuilla 1/2 tuuman kiinnittimillä. Kiristä kiinnittimet momenttiin 81 N·m (60 ft-lb).
- 2.3 ASENNA YLIAJOSUOJUKSET:** Katso kuvaa 4. Sijoita yliajosuojukset paikalleen. Kiinnitä ne mukana toimitetuilla 3/8 tuuman kiinnittimillä. Kiristä kiinnittimet momenttiin 61 N·m (45 ft-lb).
- 2.4 ASENNA M100-PUOMI ALUSTALLE:** Katso kuvaa 5. Laske M100-puomi H-alustan pallokiinnityspylväaseen.
- 1. MASTON VOITELU:** Katso kuvaa 6. Lisää rasvaa mastossa sijaitsevaan rasvanippaan.
- 2.5 JÄRJESTELMÄN KULJETUS:** Katso kuvaa 7. Järjestelmää voidaan kuljettaa alustan pohjassa olevien nostokanavien (B) avulla. Aseta puomi haluttuun kulmaan ennen kuljetusta. Lukitse puomin kääntö kuljetuksen ajaksi laskemalla lukitustappi (A).

Järjestelmää ei saa kuljettaa, jos käännön lukitustappia ei ole asetettu.

Ei saa kuljettaa yli 8 km/h:n (5 mi/h:n) nopeudella.

Järjestelmää kuljetettaessa on huomioitava yläpuolella olevat esteet ja sähkölinjat, jotka voivat johtaa vakavaan loukkaantumiseen tai kuolemaan.

3.0 KÄYTTÖ

- 3.1 ENNEN JOKAISTA KÄYTTÖKERTAA:** Varmista, että työskentelyalue ja putoamissuojausjärjestelmä täyttävät kaikki näissä ohjeissa määritetyt vaatimukset. Varmista, että virallinen pelastussuunnitelma on laadittu. Järjestelmä tulee tarkastaa tarkastus- ja kunnossapitolokissa lueteltujen käyttäjän tarkastuspisteiden mukaisesti (taulukko 2). Jos järjestelmä todetaan tarkastuksessa turvallisuudelle vaaralliseksi tai vialliseksi tai jos sen käyttöturvallisuuteen liittyy minkäänlaista epävarmuutta, poista järjestelmä käytöstä välittömästi. Merkitse järjestelmään selkeästi "EI SAA KÄYTTÄÄ". Lisätietoja on osiossa 4.
- 3.2 JÄRJESTELMÄN SIJOITTAMINEN:** Katso kuvaa 8. Aseta H-alusta tasaiselle tukirakenteelle, joka täyttää taulukossa 1 mainitut lujuusvaatimukset. Tarkista vatupasseista, että tukirakenteen pystysuuntainen kaltevuus on enintään +/- 1° alustan kummassakin suunnassa.
- 3.3 TURVALLINEN TYÖSKENTELYSÄDE:** Puomin alustan turvallinen työskentelysäde ei kata puomin alustan pituuden ulkopuolista aluetta. Katso mallia kuvasta 9. Käyttäjän tulee pysyä M100-puomijärjestelmän käytön aikana turvallisen työskentelyalueen (A) sisällä. Turvalliselta työskentelyalueelta poistuminen sen ulkopuolelle (B) on vaarallista ja voi aiheuttaa vakavan vamman tai kuoleman. Kun työskentelet M100-puomijärjestelmän sivulla, pidä ankkurikohta mahdollisimman lähellä pään yläpuolella. Jos käännön pysäytin on paikallaan puomin kiinnityskohdassa, älä koskaan työskentele sitä pidemmälle. Katso lisätietoja M100-puomin (5908371) käyttöohjeista.

4.0 TARKASTUS

Kun laitteisto on poistettu käytöstä, sitä ei saa palauttaa käyttöön ennen kuin pätevä henkilö on vahvistanut kirjallisesti, että näin saa tehdä.

- 4.1 TARKASTUSVÄLI:** Käyttäjän tulee tarkastaa tuote ennen jokaista käyttökertaa. Tämän lisäksi pätevän henkilön (joku muu kuin käyttäjä itse) tulee tarkastaa se vähintään vuoden välein. Laitteiden tiheampi käyttö ja vaativat olosuhteet saattavat edellyttää pätevän henkilön suorittamia tarkastuksia useammin. Pätevän henkilön on määritettävä näiden tarkastusten väli kyseisten työolosuhteiden mukaan.
- 4.2 TARKASTUSTOIMENPITEET:** Tarkasta tämä tuote tarkastus- ja kunnossapitolokissa lueteltujen toimenpiteiden mukaisesti. Tuotteen omistajan tulee säilyttää jokaisen tarkastuksen asiakirjat. Tarkastus- ja kunnossapitoloki tulee sijoittaa tuotteen lähelle tai sen tulee olla muulla tavalla helposti käyttäjän saatavilla. On suositeltavaa, että tuotteeseen merkitään seuraavan tai edellisen tarkastuksen päivämäärä.
- 4.3 VIAT:** Jos H-alustaa ei voida palauttaa käyttöön vian tai vaarallisen tilan vuoksi, tuhoa järjestelmä tai ota yhteyttä 3M:n huoltokeskukseen tai 3M:n valtuuttamaan huoltokeskukseen korjausmahdollisuuden selvittämistä varten.
- 4.4 TUOTTEEN KÄYTTÖIKÄ:** H-alustan toiminnallinen ikä määräytyy käyttöolosuhteiden ja huollon mukaan. Tuotetta voidaan käyttää niin kauan kuin se läpäisee tarkastuskriteerit.

5.0 HUOLTO, KUNNOSSAPITO ja SÄILYTYS

Laitteet, jotka vaativat huoltoa tai joille on tehtävä suunniteltu huolto, on varustettava merkinnällä "EI SAA KÄYTTÄÄ". Näitä merkintöjä ei saa poistaa, ennen kuin huolto on suoritettu.

- 5.1 PUHDISTUS:** Vastapainon alustan metalliosat tulee puhdistaa säännöllisesti pehmeällä harjalla, lämpimällä vedellä ja miedolla saippualliuoksella. Varmista, että osat huuhdellaan huolellisesti puhtaalla vedellä.
- 5.3 HUOLTO:** Vain 3M tai 3M:n kirjallisesti valtuuttamat tahot saavat tehdä korjauksia tähän laitteeseen.
- 5.4 SÄILYTYS:** Säilytä H-alustaa ja siihen liittyviä putoamissuojaimia viileässä, kuivassa ja puhtaassa ympäristössä suojassa suoralta auringonvalolta. Vältä alueita, joilla saattaa esiintyä kemiallisia höyryjä. Tarkasta osat huolellisesti pitkän säilytysajan jälkeen.

6.0 MERKINNÄT

- 6.1 MERKINNÄT:** Kuvassa 10 on H-alustan merkinnät. Merkinnät pitää uusia, jos ne eivät ole täysin luettavissa. Kaikissa merkinnöissä on seuraavat tiedot:

(A)	Varoitustarra: 1) CE-sertifiointi 2) Lue ohjeet 3) Yrityksen logo 4) CE-sertifiointi ja OSHA-sertifiointi 5) Turvallinen työskentelysäde 6) H-alustan enimmäispainot = pienempi tai yhtä suuri kuin -symboli 605 kg (1 335 lb) 7) M100-puomin enimmäispaino = pienempi tai yhtä suuri kuin -symboli 365 kg (805 lb) 8) H-alustan + M100-puomin enimmäispaino = pienempi tai yhtä suuri kuin -symboli 970 kg (2 140 lb) 9) Tukipinnan kaltevuus enintään = +/- 1°
(B)	Tunnistustarra: 1) Valmistettu (vuosi/kuukausi) 2) Mallinumero 3) Sarjanumero 4) Yrityksen logo

CONSIGNES DE SÉCURITÉ

Veillez lire, comprendre et suivre toutes les consignes de sécurité contenues dans ces instructions avant d'utiliser ce système Flexiguard. LE NON-RESPECT DE CES INSTRUCTIONS PEUT CAUSER DES BLESSURES GRAVES OU LA MORT.

Ces instructions doivent être transmises à l'utilisateur de cet équipement. Conservez ces instructions pour vous y référer ultérieurement.

Utilisation prévue :

Ce système FlexiGuard est conçu pour être utilisé comme élément d'un système antichute ou d'un équipement de sauvetage complet.

Toute utilisation pour d'autres applications, y compris, mais sans s'y limiter, la manutention de matériaux, des activités de loisirs ou sportives, ou d'autres activités non décrites dans le mode d'emploi ou le manuel d'installation, n'est pas approuvée par 3M et pourrait entraîner des blessures graves ou mortelles. Ce système ne doit être utilisé que par des utilisateurs formés pour des applications sur le lieu de travail.



AVERTISSEMENT

Ce système FlexiGuard fait partie d'un système antichute ou d'un équipement de sauvetage individuel. Tous les utilisateurs doivent être solidement formés à l'installation et au fonctionnement sécurisé du système complet. **Une mauvaise utilisation de cet équipement peut entraîner des blessures graves ou mortelles.** Pour ne faire aucune erreur dans la sélection, le fonctionnement, l'installation, la maintenance et l'entretien, suivez toutes les instructions fournies avec le produit et toutes les recommandations du fabricant, consultez votre superviseur ou contactez le service technique 3M.

- **Pour réduire les risques associés au transport d'un système FlexiGuard qui, faute de protection, pourrait entraîner des blessures graves ou mortelles :**
 - Vérifiez que le système est correctement fixé ou configuré avant son transport. Consultez le mode d'emploi pour connaître les exigences détaillées relatives au transport.
 - Le transport doit se faire à une vitesse inférieure à 8 km/h et à une inclinaison de 10° ou moins, ou conformément aux instructions d'utilisation.
 - Vérifiez que le système ne rentrera pas en contact avec des objets placés en hauteur ou présentant un danger électrique durant son transport ou son utilisation.
- **Pour réduire les risques associés au travail avec un système Flexiguard qui, en l'absence de protection, pourraient entraîner des blessures graves ou mortelles :**
 - Inspectez tous les composants du système avant chaque utilisation, au moins une fois par an, et après chaque chute. Procédez à l'inspection conformément aux instructions d'utilisation.
 - Si l'inspection effectuée fait apparaître un défaut ou un danger, mettez immédiatement le système hors service et réparez-le ou remplacez-le en respectant les instructions d'utilisation.
 - Si le système a été soumis à des forces antichute ou d'impact, il doit être immédiatement mis hors service. Consultez les instructions d'utilisation ou contactez le service de Protection antichute 3M.
 - Le substrat sur lequel ou la structure sur laquelle le système est fixé/placé doit être capable de résister aux charges statiques spécifiées pour le système dans les orientations autorisées indiquées dans le mode d'emploi ou les instructions d'installation.
 - Ne dépassez pas le nombre d'utilisateurs autorisés conformément aux instructions d'utilisation.
 - Ne fixez jamais le dispositif à un système avant qu'il ne soit entièrement assemblé, positionné, ajusté et installé. N'ajustez pas le système lorsqu'un utilisateur y est attaché.
 - Ne travaillez jamais hors de la zone de travail sécurisée, telle que définie par le mode d'emploi.
 - Ne vous connectez pas au système pendant qu'il est transporté ou installé.
 - Maintenez toujours une connexion à 100 % lors du transfert entre des points d'ancrage sur le système.
 - Soyez vigilant(e) au cours de l'installation, de l'utilisation et du déplacement du système, car les pièces en mouvement peuvent créer des points de pincement potentiels.
 - Vérifiez que les procédures adéquates de verrouillage/d'étiquetage ont été appliquées, le cas échéant.
 - Ne reliez que les sous-systèmes de protection antichute au point du connecteur d'ancrage désigné sur le système.
 - Lorsque vous percez des trous pour l'assemblage ou l'installation du système, vérifiez qu'aucune ligne électrique, aucune conduite de gaz ou aucun autre matériau ou équipement ne sera touché par la perceuse.
 - Assurez-vous que les systèmes/sous-systèmes antichute assemblés avec des composants provenant de divers fabricants sont compatibles et respectent les exigences des normes applicables, y compris la norme ANSI Z359 ou d'autres codes, normes ou contraintes de protection contre les chutes. Consultez systématiquement une personne compétente ou qualifiée avant l'utilisation de ces systèmes.
- **Pour réduire les risques associés au travail en hauteur qui, faute de protection, peuvent entraîner des blessures graves ou mortelles :**
 - Assurez-vous que votre santé et votre condition physique vous permettent de supporter en toute sécurité les forces associées au travail en hauteur. Consultez votre médecin si vous avez des questions concernant votre aptitude à utiliser cet équipement.
 - Ne dépassez jamais les limites autorisées pour votre équipement antichute.
 - Ne dépassez jamais la distance de chute libre maximale de votre équipement antichute.
 - N'utilisez aucun équipement antichute qui n'a pas satisfait aux inspections avant utilisation ou aux autres inspections programmées, ou si vous avez des préoccupations concernant l'utilisation ou la compatibilité de l'équipement avec votre application. Contactez les services techniques de 3M si vous avez des questions.
 - Certaines combinaisons de sous-systèmes et de composants peuvent gêner le fonctionnement de cet équipement. Utilisez uniquement des raccords compatibles. Consultez 3M avant d'utiliser cet équipement conjointement avec des composants ou des sous-systèmes autres que ceux décrits dans les instructions d'utilisation.
 - Soyez particulièrement vigilant(e) lorsque vous travaillez autour de machines en mouvement (par exemple, les mécanismes d'entraînement par le haut des plates-formes pétrolières), en cas de risques électriques, de températures extrêmes, de risques chimiques, en présence de gaz explosifs ou toxiques, d'arêtes vives, ou de matériaux suspendus pouvant chuter sur vous ou sur l'équipement de protection antichute.
 - Utilisez des dispositifs de protection contre les arcs électriques ou conçus pour le travail à température élevée dans les environnements à chaleur intense.
 - Évitez les surfaces et les objets qui peuvent endommager l'utilisateur ou l'équipement.
 - Vérifiez que vous disposez d'une distance d'arrêt adaptée lorsque vous travaillez en hauteur.
 - Ne modifiez ni n'altérez jamais votre équipement antichute. Seul 3M ou les parties agréées par écrit par 3M peuvent réparer cet équipement.
 - Avant l'utilisation d'un équipement antichute, vérifiez qu'un plan de sauvetage est mis en place et qu'il permettra d'effectuer un sauvetage rapide si une chute se produit.
 - En cas de chute, faites immédiatement intervenir un médecin auprès du travailleur qui est tombé.
 - N'utilisez pas de ceinture de travail pour les applications de prévention antichute. Utilisez uniquement un harnais intégral.
 - Réduisez le risque d'effets pendulaires en travaillant autant que possible directement sous le point d'ancrage.
 - Lors de la formation à l'utilisation de ce dispositif, vous devez utiliser un système antichute secondaire afin de ne pas exposer la personne formée à un risque de chute involontaire.
 - Portez toujours un équipement de protection individuelle approprié lors de l'installation, de l'utilisation ou de l'examen du dispositif/système.

Avant d'utiliser cet équipement, consigner les informations d'identification du produit indiquées sur l'étiquette d'identification dans le « Journal d'inspection et d'entretien » qui se trouve au dos du présent manuel.

Toujours s'assurer d'utiliser la dernière version de votre manuel d'utilisation 3M. Visiter le site Web ou contacter le service technique de 3M pour obtenir les manuels d'instructions mis à jour.

DESCRIPTION DU PRODUIT :

La figure 1 illustre la base en H M100 du système de potence modulaire 3M™ Flexiguard™. La base en H est conçue pour être utilisée avec les mâts M100 du système de potence modulaire Flexiguard agréés. Le système est autonome et ne nécessite aucun contrepoids supplémentaire. La base en H permet aux véhicules de passer par-dessus les pieds stabilisateurs pour les rapprocher du mât afin que l'utilisateur puisse travailler sur les véhicules.

La figure 2 illustre les composants de la base en H. Les caractéristiques des composants figurent dans le Tableau 1. Le poteau de la boule d'attache (A) est le récepteur qui permet de monter le mât M100 Flexiguard de 3M agréé. Les pieds stabilisateurs (D) soutiennent la base en H et sont reliés par la base centrale principale (B) où se situent les indicateurs de niveau (C). Utiliser les indicateurs de niveau pour vérifier que le système se trouve dans la plage de +/- 1° de la pente autorisée. Les guides de levage (E) permettent de transporter la base en H avec un chariot élévateur, un transpalette, une grue, etc.

Tableau 1 – Caractéristiques

Caractéristiques du système :		
Compatibilité :	La base en H au sol présentées dans ces instructions sont compatibles avec le système de potence modulaire M100 3M™ DBI-SALA® Flexiguard™.	
Normes :	Conçue et testée pour répondre aux exigences des normes EN795:2012 (Type B), OSHA 1926.502 et OSHA 1910.140.	
Capacité :	Se reporter aux instructions 5908371 du système de potence modulaire M100 3M DBI-SALA Flexiguard.	
Poids du produit :	605 kg (1335 lb)	
Exigences pour la structure d'appui :	La structure supportant le dispositif antichute doit pouvoir résister à une charge verticale de 1 830 kg (4 035 lb) + le poids de la charge verticale.	
Déviation maximale :	Reportez-vous au manuel d'instructions de la flèche M100 (5908371) pour plus d'informations sur la déviation maximale du système.	
Force d'arrêt maximale :	Tous les sous-systèmes de raccordement (SRD, longues amortissantes, etc.) utilisés avec la base à contrepoids doivent limiter la force d'arrêt maximale à 6 kN (1 350 lbf).	
Caractéristiques des composants :		
Référence de la Figure 2	Composant	Matériaux
(A)	Poteau de la boule d'attache	Acier
(B)	Base centrale principale	Acier
(C)	Indicateurs de niveau	Plastique
(D)	Pieds stabilisateurs	Acier
(E)	Guides de levage	Acier

1.0 TYPE D'UTILISATION

- 1.1 OBJECTIF :** la base en H est conçue pour être utilisée comme composant d'un dispositif antichute.
- 1.2 DESCRIPTION :** la base de montage au sol (Figure 1) est conçue pour reposer sur un sol plat et servir de point de montage pour le système de potence modulaire M100 3M™ DBI-SALA® Flexiguard™.
- 1.3 NORMES :** la base en H est conforme aux normes nationales ou régionales présentées sur la page de couverture de ces instructions. Si ce produit est revendu en dehors du pays de destination d'origine, le revendeur doit fournir ces instructions dans la langue du pays où il sera utilisé.
- 1.4 SUPERVISION :** l'installation de cet équipement doit être supervisée par une personne qualifiée¹. L'utilisation de cet équipement doit être supervisée par une personne compétente².
- 1.5 FORMATION :** tous les utilisateurs de cet équipement sont tenus de comprendre ces instructions et de suivre une formation pour installer, utiliser et entretenir correctement cet équipement. Ils doivent connaître les conséquences d'une installation ou d'une utilisation inappropriée de cet équipement. Ce manuel d'instructions ne saurait remplacer un programme de formation. La formation devra être répétée sur une base régulière afin d'assurer l'efficacité des utilisateurs.
- 1.6 PLAN DE SAUVETAGE :** avant d'utiliser cet équipement et de raccorder les sous-systèmes, l'employeur devra disposer d'un plan de sauvetage et de moyens disponibles permettant sa mise en œuvre, et le communiquer aux utilisateurs,

1 Personne qualifiée : personne possédant un diplôme, un certificat ou un statut professionnel reconnu, ou qui, par ses connaissances, sa formation et son expérience, a démontré avec succès sa capacité à résoudre des problèmes relatifs aux systèmes de protection antichute dans la mesure requise par l'OSHA ou d'autres réglementations régionales, locales ou nationales applicables.

2 Personne compétente : personne capable de détecter des dangers existants et prévisibles dans les milieux de travail ou des conditions de travail non hygiéniques, ou dangereuses pour les employés, et ayant l'autorisation de prendre des mesures correctives rapides pour les éliminer.

aux personnes agréées³ et aux sauveteurs⁴. Il est recommandé de mettre en place une équipe, adéquatement formée, de sauvetage sur site. Il conviendra de mettre à la disposition des membres de l'équipe l'équipement et les moyens techniques nécessaires à la bonne exécution d'une opération de sauvetage. La formation devra être dispensée sur une base régulière afin de garantir le niveau de compétence des sauveteurs.

1.7 APRÈS UNE CHUTE : Si cet équipement est soumis à des forces antichute ou d'impact, il doit être immédiatement mis hors service. Indiquer clairement « NE PAS UTILISER » Pour plus d'informations, se reporter à la Section 4.

2.0 INSTALLATION

2.1 PRÉPARATION : préparer votre système de protection antichute avant d'installer la base à contrepoids. Prendre en compte tous les facteurs susceptibles d'affecter votre sécurité avant, pendant et après une chute. rendre en considération toutes les exigences, spécifications et limites définies dans ces instructions.

2.2 ASSEMBLER LE STABILISATEUR EN ACIER : voir Figure 3. Positionner la base centrale principale à l'endroit souhaité. Placer les deux pieds stabilisateurs, puis les fixer avec le matériel fourni. Serrer le matériel à un couple de serrage de 81 N-m (60 ft-lb).

2.3 INSTALLER DES PROTECTIONS DU DISPOSITIF D'ENTRAÎNEMENT : voir Figure 4. Positionner les protections du dispositif d'entraînement. Les fixer avec le matériel 3/8 po fourni. Serrer le matériel à un couple de serrage de 61 N-m (45 ft-lb).

2.4 INSTALLER LA PERCHE M100 SUR LA BASE : voir Figure 5. Abaisser la perche M100 sur le poteau de la boule d'attache de la base en H.

1. LUBRIFIER LE MÂT : voir Figure 6. Appliquer de la graisse sur le raccord graisseur situé sur le mât.

2.5 TRANSPORTER LE SYSTÈME : voir Figure 7. Le système peut être transporté à l'aide des guides de levage (B) situés en bas de la base. Avant le transport, positionner le montant dans l'angle souhaité. Abaisser la goupille de verrouillage (A) pour empêcher la rotation de la perche pendant le transport.

Ne pas transporter le système sans avoir inséré la goupille de verrouillage de rotation.

Ne pas transporter à des vitesses supérieures à 8 km/h (5 mi/h).

Lors du transport du système, prendre garde aux obstacles en hauteur et aux dangers électriques pouvant entraîner des blessures graves, voire mortelles.

3.0 UTILISATION

3.1 AVANT CHAQUE UTILISATION : vérifier que votre zone de travail et votre système de protection antichute répondent à tous les critères définis dans les présentes instructions. Vérifier qu'un plan de sauvetage officiel est en place. Inspecter le système conformément aux consignes d'inspection « Utilisateur » figurant dans le « Journal d'inspection et d'entretien » (Tableau 2). Si l'inspection révèle la présence de conditions dangereuses ou défectueuses, ou s'il y a un doute quant à son état pour permettre une utilisation en toute sécurité, mettre immédiatement le système hors service. Indiquer clairement « NE PAS UTILISER » sur le système. Pour plus d'informations, se reporter à la Section 4.

3.2 POSITIONNER LE SYSTÈME : voir Figure 8. Placer la base en H sur une structure d'appui de niveau répondant aux exigences de résistance indiquées dans le Tableau 1. À l'aide des indicateurs de niveau, vérifier que la pente de la structure d'appui se situe à plus ou moins 1° de la verticale dans les deux directions à partir de la base.

3.3 ZONE DE TRAVAIL SÉCURISÉE : la zone de travail sécurisée de la base ne s'étend pas au-delà de la longueur de la base elle-même. Voir Figure 9. Lors de l'utilisation du système de potence M100, l'utilisateur doit rester dans la zone de travail sécurisée (A) indiquée. Il est dangereux de quitter la zone de travail sécurisée pour un lieu extérieur (B) : cela peut entraîner des blessures graves ou mortelles. En cas de travail de part et d'autre du système de potence M100, l'utilisateur doit garder le point d'ancrage aussi directement au-dessus de lui que possible. Si une butée de rotation est installée sur la base de la potence, ne jamais travailler au-delà de cette butée. Pour plus d'informations, voir le mode d'emploi de la perche M100 (5908371).

4.0 INSPECTION :

Une fois l'équipement mis hors service, il ne peut pas être remis en marche avant qu'une personne compétente ne confirme par écrit qu'il est permis de le faire.

4.1 FRÉQUENCE D'INSPECTION : Le produit doit être inspecté par l'utilisateur avant chaque utilisation en plus d'une personne qualifiée autre que l'utilisateur à des intervalles d'un an au plus. Une plus grande fréquence d'utilisation des équipements et des conditions plus difficiles peuvent nécessiter une augmentation de la fréquence des inspections de la personne compétente. La fréquence de ces inspections doit être déterminée par la personne compétente en fonction des conditions spécifiques du lieu de travail.

4.2 PROCÉDURES D'INSPECTION : Inspecter le produit conformément aux procédures figurant dans le « Journal d'inspection et d'entretien ». La documentation de chaque inspection doit être conservée par le propriétaire de l'équipement. Un journal d'inspection et d'entretien doit être placé près du produit ou être facilement accessible aux utilisateurs. Il est recommandé de marquer ce produit avec la date de la prochaine inspection ou de la dernière inspection.

4.3 DÉFAUTS : si la base en H ne peut pas être remise en service en raison d'un défaut existant ou d'une condition dangereuse, détruire le système ou contacter 3M ou un centre de service agréé par 3M pour une éventuelle réparation.

3 Personne agréée : Une personne désignée par l'employeur pour effectuer des tâches sur un site où elle sera exposée à un risque de chute.

4 Sauveteur : personne qui utilise le système de secours pour effectuer un sauvetage assisté.

4.4 DURÉE DE VIE DU PRODUIT : la durée de vie fonctionnelle de la base en H est déterminée par les conditions de travail et l'entretien. Le produit peut rester en service tant qu'il répond aux critères d'inspection.

5.0 ENTRETIEN, RÉVISION et STOCKAGE

Les équipements qui ont besoin d'être entretenus ou dont l'entretien est prévu doivent porter la mention « NE PAS UTILISER ». Ces étiquettes pour équipement ne doivent pas être enlevées avant que l'entretien ne soit effectué.

5.1 NETTOYAGE : Nettoyer régulièrement la base en H avec une brosse douce, de l'eau chaude et une solution légèrement savonneuse. Veiller à rincer les pièces abondamment à l'eau claire.

5.2 RÉVISION : seule la société 3M ou les parties agréées par écrit par 3M peuvent réparer cet équipement.

5.3 STOCKAGE : le cas échéant, entreposer la base en H et l'équipement de protection antichute associé dans un endroit frais, sec et propre, à l'abri des rayons du soleil. Éviter les endroits où des vapeurs chimiques peuvent exister. Inspecter soigneusement les composants après une période de stockage prolongée.

6.0 ÉTIQUETTES et MARQUAGES

6.1 ÉTIQUETTES : La Figure 10 illustre les étiquettes sur la base en H. Les étiquettes doivent être remplacées si elles ne sont pas parfaitement lisibles.

(A)	Étiquette d'avertissement : 1) Certification CE 2) Lire les consignes 3) Logo de l'entreprise 4) Certification CE et certification OSHA 5) Zone de travail sécurisée 6) Poids maximum de la base en H = inférieur ou égal au symbole 605 kg (1 335 lb) 7) Poids maximum de la perche M100 = inférieur ou égal au symbole 365 kg (805 lb) 8) Poids maximum de la base en H + perche M100 = inférieur ou égal au symbole 970 kg (2 140 lb) 9) Pente maximale de la surface d'appui = +/- 1°
(B)	Étiquette d'identification : 1) Date de fabrication (année/mois) 2) Numéro de modèle 3) Numéro de série 4) Logo de l'entreprise

Leggere, comprendere e seguire tutte le informazioni sulla sicurezza contenute nelle presenti istruzioni prima di utilizzare questo sistema Flexiguard. IL MANCATO RISPETTO DELLE ISTRUZIONI PUÒ CAUSARE GRAVI LESIONI PERSONALI O MORTE.

Fornire le presenti istruzioni all'utente dell'attrezzatura. Conservare queste istruzioni come riferimento in futuro.

Uso previsto:

Questo sistema Flexiguard deve essere utilizzato come parte di un sistema di salvataggio o di protezione anticaduta completo.

L'utilizzo per qualsiasi altra applicazione incluse, ma non solo, manipolazione di materiale, attività correlate ricreative o sportive oppure altre attività non descritte nelle istruzioni per l'utente o nelle istruzioni di installazione, non è approvato da 3M e può causare gravi lesioni personali o morte.

Il presente sistema deve essere utilizzato esclusivamente da utenti addestrati nelle applicazioni relative all'ambito di lavoro.

AVVERTENZA

Questo sistema Flexiguard fa parte di un sistema di salvataggio o di protezione anticaduta personale. Si prevede, pertanto, che tutti gli utenti siano completamente addestrati all'installazione e all'utilizzo sicuri del sistema completo. **L'uso improprio del presente sistema può comportare gravi lesioni personali o morte.** Per le modalità corrette di selezione, funzionamento, installazione, manutenzione e assistenza, consultare tutte le istruzioni del prodotto e tutte le raccomandazioni fornite dal produttore; altrimenti rivolgersi al proprio supervisore o contattare l'assistenza tecnica di 3M.

- **Per ridurre i rischi associati al trasporto di un sistema Flexiguard che, se non evitati, potrebbero causare gravi lesioni personali o morte:**
 - Assicurarsi che il sistema sia fissato o configurato idoneamente prima del trasporto. Consultare le istruzioni per l'utente per informazioni dettagliate sui requisiti di trasporto.
 - Trasportare solo al di sotto di 8 km/h e su pendenze massime di 10° o secondo le indicazioni delle istruzioni per l'utente.
 - Assicurarsi che il sistema non venga a contatto con gli oggetti che si trovano al di sopra di esso o con rischi elettrici durante il trasporto o l'uso.
- **Per ridurre i rischi associati all'uso di un sistema Flexiguard che, se non evitati, potrebbero causare gravi lesioni personali o morte:**
 - Ispezionare tutti i componenti del sistema prima di ogni uso, almeno una volta all'anno, e dopo qualsiasi evento di caduta. Le ispezioni devono essere eseguite conformemente a quanto indicato nelle istruzioni per l'utente.
 - Se, a seguito dell'ispezione, viene individuata una condizione di non sicurezza o difetto, dismettere il sistema e ripararlo o sostituirlo secondo le istruzioni per l'utente.
 - Ogni sistema che è stato sottoposto all'arresto caduta o a una forza d'impatto deve essere immediatamente rimosso dal servizio. Fare riferimento alle istruzioni per l'utente o contattare la protezione anticaduta di 3M.
 - Il substrato o la struttura su cui è attaccato/posizionato il sistema deve essere in grado di sostenere i carichi statici specificati per il sistema con gli orientamenti consentiti nelle istruzioni per l'utente o nelle istruzioni di installazione.
 - Non superare il numero di operatori consentiti secondo le indicazioni delle istruzioni per l'utente.
 - Non attaccare mai un sistema finché non è stato assemblato completamente, regolato e installato. Non regolare il sistema quando è attaccato a un utente.
 - Non lavorare mai fuori dall'area di lavoro sicura come definita dalle istruzioni per l'utente.
 - Non collegarsi al sistema mentre lo si sta trasportando o installando.
 - Mantenere sempre la legatura al 100% durante il trasferimento tra i punti di ancoraggio sul sistema.
 - Fare attenzione quando si installa, si utilizza o si muove il sistema, poiché alcune parti mobili potrebbero creare potenziali punti di impiglio.
 - Assicurarsi che le procedure di lock-out/tag-out siano state rispettate quando applicabili.
 - Collegare solo i sottosistemi di protezione anticaduta al punto di collegamento dell'ancoraggio designato sul sistema.
 - Quando si eseguono dei fori per l'assemblaggio o l'installazione del sistema, assicurarsi che non ci siano linee elettriche, linee del gas o altra attrezzatura o altri materiali critici, con cui il trapano può venire in contatto.
 - Assicurarsi che i sistemi/sottosistemi di protezione anticaduta assemblati con componenti realizzati da produttori diversi siano compatibili e soddisfino i requisiti degli standard applicabili, inclusi ANSI Z359 o altri codici, standard o requisiti relativi alla protezione anticaduta pertinenti. Consultare sempre una persona competente o qualificata prima di utilizzare questi sistemi.
- **Per ridurre i rischi associati al lavoro in altezza che, se non evitati, potrebbero causare gravi lesioni personali o morte:**
 - Assicurarsi che le proprie condizioni fisiche e di salute permettano una resistenza in completa sicurezza a tutte le forze associate al lavoro in altezza. Consultare il proprio medico in caso di domande relative alla propria capacità d'uso di questa attrezzatura.
 - Non superare mai la capacità consentita della propria attrezzatura di protezione anticaduta.
 - Non superare mai la distanza massima di caduta libera della propria attrezzatura di protezione anticaduta.
 - Non utilizzare mai un'attrezzatura di protezione anticaduta che non abbia superato l'ispezione prima dell'uso o altri controlli programmati oppure in caso di dubbi sull'uso o sull'idoneità dell'attrezzatura in merito all'applicazione. Per eventuali domande, contattare l'assistenza tecnica di 3M.
 - Alcune combinazioni di sottosistemi e componenti potrebbero compromettere il funzionamento di questa attrezzatura. Utilizzare solo collegamenti compatibili. Consultare 3M prima di utilizzare questa attrezzatura in combinazione con componenti o sottosistemi diversi da quelli descritti nelle presenti istruzioni per l'utente.
 - Prestare particolare attenzione in presenza di macchinari in movimento (ad es., il top drive delle torri di perforazione), rischi di carattere elettrico, temperature estreme, rischi di carattere chimico, gas esplosivi o tossici, bordi taglienti oppure al di sotto di materiali sospesi che potrebbero cadere sull'utente o sulla attrezzatura di protezione anticaduta.
 - Utilizzare dispositivi Arc Flash o Hot Works quando si lavora in ambienti che presentano temperature elevate.
 - Evitare superfici e oggetti che possano danneggiare l'utente o l'attrezzatura.
 - Durante il lavoro in altezza assicurarsi che ci sia un tirante d'aria di caduta adeguato.
 - Non modificare o alterare mai la propria attrezzatura di protezione anticaduta. Solo 3M o centri con autorizzazione scritta di 3M possono procedere alla riparazione dell'attrezzatura.
 - Prima di utilizzare l'attrezzatura di protezione anticaduta, assicurarsi che esista un piano di salvataggio che permetta un salvataggio immediato nel caso in cui si verifichi un incidente.
 - In caso di incidente, fare in modo che il lavoratore caduto sia sottoposto immediatamente alle cure di un medico.
 - Non utilizzare una cintura in vita per applicazioni di arresto caduta. Utilizzare esclusivamente un'imbracatura integrale.
 - Ridurre al minimo le cadute con pendolo lavorando il più possibile direttamente sotto il punto di ancoraggio.
 - Durante la formazione con questo dispositivo, deve essere utilizzato un sistema di protezione anticaduta secondario in modo da non esporre l'utente a un pericolo di caduta involontario.
 - Quando si installa, utilizza o ispeziona il dispositivo/sistema, indossare sempre i dispositivi di protezione individuale idonei.

☑ *Prima di utilizzare l'attrezzatura, registrare le informazioni di identificazione del prodotto dall'etichetta identificativa nel "Registro di ispezione e manutenzione" che si trova sul retro del presente manuale.*

☑ *Assicuratevi sempre di utilizzare l'ultima revisione del Manuale di istruzioni di 3M. Visitare il sito Web 3M o contattare l'assistenza tecnica 3M per i manuali di istruzioni aggiornati.*

DESCRIZIONE DEL PRODOTTO:

La Figura 1 illustra la base ad H del sistema a braccio modulare M100 3M™ Flexiguard™. La base ad H è progettata per essere utilizzata con alberi del sistema a braccio modulare M100 Flexiguard approvati. Il sistema è indipendente e non richiede alcun contrappeso aggiuntivo. La base ad H consente ai veicoli di oltrepassare gli stabilizzatori per avvicinarli all'albero in modo che l'utente possa lavorare in cima ai veicoli.

La Figura 2 illustra i componenti della base ad H. Vedere la Tabella 1 per le specificazioni dei componenti. Il sostegno per il gancio a sfera (A) è il ricevitore per montare l'albero 3M Flexiguard M100 approvato. Gli stabilizzatori (D) forniscono supporto per la base ad H e sono collegati dalla base centrale principale (B) in cui si trovano gli indicatori di livello (C). Utilizzare gli indicatori di livello per verificare che il sistema sia compreso tra +/- 1° di pendenza consentita. I canali di sollevamento (E) vengono utilizzati per trasportare la base ad H con un carrello elevatore, un transpallet, una gru, ecc.

Tabella 1 – Specifiche

Specifiche del sistema:		
Compatibilità:	La base ad H a pavimento descritte in queste istruzioni sono compatibili con il Sistema di braccio modulare Flexiguard™ 3M™ DBI-SALA® M100.	
Standard:	Progettato e testato per soddisfare i requisiti di EN795: 2012 (Tipo B), OSHA 1926.502 e OSHA 1910.140.	
Capacità:	Consultare le istruzioni del sistema a braccio modulare 3M DBI-SALA Flexiguard M100, 5908371.	
Peso dell'articolo:	1.335 lb. (605 kg)	
Requisiti della struttura a riposo:	La struttura che supporta il sistema di arresto caduta deve sopportare 1.830 kg (4.035 lb) + il peso del carico verticale del braccio.	
Deformazione massima:	Per ulteriori informazioni sulla deformazione massima del sistema, consultare il manuale di istruzioni del braccio orientabile M100 (5908371).	
Forza di arresto massima:	tutti i sottosistemi di collegamento (SRD, cordini ad assorbimento di energia, ecc.) utilizzati con la base di contrappeso devono limitare la forza di arresto massima a 1.350 lbf (6 kN).	
Specificazioni dei componenti:		
Figura 2 di riferimento	Componente	Materiali
Ⓐ	Sostegno per il gancio a sfera	Acciaio
Ⓑ	Base centrale principale	Acciaio
Ⓒ	Indicatori di livello	Plastica
Ⓓ	Stabilizzatori	Acciaio
Ⓔ	Canali di sollevamento	Acciaio

1.0 APPLICAZIONE DELL'ARTICOLO

- 1.1 SCOPO:** la base ad H è progettata per essere utilizzata come componente di un sistema di arresto caduta.
- 1.2 DESCRIZIONE:** La base di montaggio a pavimento (Figura 1) è progettata per essere appoggiata su un terreno piano ed essere utilizzata come punto di montaggio per il sistema a braccio modulare M100 DBI-SALA® Flexiguard™ 3M™.
- 1.3 STANDARD:** la base ad H è conforme agli standard nazionali o regionali segnalati sulla copertina di queste istruzioni. Se l'articolo viene rivenduto al di fuori del Paese di destinazione originario, il rivenditore dovrà fornire le presenti istruzioni nella lingua del Paese in cui dovrà essere utilizzato l'articolo.
- 1.4 SUPERVISIONE:** L'installazione dell'attrezzatura deve essere supervisionata da una persona qualificata¹. L'utilizzo dell'attrezzatura deve essere supervisionato da una persona competente².
- 1.5 FORMAZIONE:** Spetta agli utenti delle attrezzature leggere comprendere le relative istruzioni e addestrarsi all'installazione, all'uso e alla manutenzione corretti. Gli utenti devono essere consapevoli delle conseguenze di un'installazione o di un uso errati delle attrezzature. Questo manuale di istruzioni non sostituisce un programma di formazione. La formazione deve essere fornita periodicamente per garantire la competenza degli utenti.
- 1.6 PIANO DI SALVATAGGIO:** Durante l'utilizzo della presente attrezzatura e dei sottosistemi di connessione, il responsabile deve disporre di un piano di salvataggio, nonché dei mezzi per implementarlo e comunicarlo a utenti, persone

1 Persona qualificata: Persona con laurea, certificazione o ruolo professionale riconosciuti, oppure che, per vastità delle conoscenze, formazione ed esperienza ha dimostrato con successo la propria capacità di affrontare e risolvere i problemi relativi alla protezione anticaduta e al sistema di salvataggio nella misura richiesta dalle normative nazionali, regionali e locali in vigore.

2 Persona competente: Persona in grado di individuare i rischi esistenti e prevedibili nell'ambiente circostante o condizioni di lavoro malsane, rischiose e pericolose per i dipendenti, autorizzata a prendere immediati provvedimenti per porvi rimedio.

autorizzate³e soccorritori⁴. Si consiglia la presenza di una squadra di soccorso addestrata in loco. I membri della squadra devono conoscere le tecniche e disporre dell'attrezzatura necessarie per un soccorso efficace. La formazione deve essere fornita periodicamente per garantire la competenza dei soccorritori.

- 1.7 DOPO UNA CADUTA:** Se l'attrezzatura è soggetta a una forza di arresto caduta o di impatto, rimuoverla immediatamente dal servizio. Apporre un'etichetta che indichi in modo chiaro "NON USARE". Per ulteriori informazioni, consultare la Sezione 4.

2.0 INSTALLAZIONE

- 2.1 PIANIFICAZIONE:** pianificare il proprio sistema di protezione anticaduta prima di installare la base di contrappeso. Considerare tutti i fattori che possono influire sulla propria sicurezza prima, durante e dopo una caduta. Prendere in considerazione tutti i requisiti, le limitazioni e le specifiche definiti in queste istruzioni.
- 2.2 MONTARE LA BASE DELLO STABILIZZATORE D'ACCIAIO:** Vedere Figura 3. Posizionare la base centrale principale nella posizione desiderata. Posizionare i due stabilizzatori in posizione e fissarli con i componenti da 1/2 pollici in dotazione. Serrare la ferramenta a 60 piedi*libbre (81 N-m).
- 2.3 INSTALLAZIONE DELLA PIATTAFORMA DI RIMORCHIO :** Vedi figura 4. Posizionare la piattaforma di rimorchio. Collegare con i componenti da 3/8 pollici in dotazione. Serrare i componenti a 45 piedi*libbre (61 N-m).
- 2.4 INSTALLAZIONE DEL BRACCIO ORIENTABILE M100 SULLA BASE:** Vedere Figura 5. Abbassare il braccio orientabile M100 sul sostegno per il gancio a sfera della base ad H.
- 1. LUBRIFICAZIONE DELL'ALBERO:** vedere la Figura 6. Applicare il grasso sul punto di ingrassaggio situato sull'albero.
- 2.5 TRASPORTO DEL SISTEMA:** Vedere Figura 7. Il sistema può essere trasportato utilizzando i canali di sollevamento (B) situati nella parte inferiore della base. Prima di trasportare, posizionare il gruppo verticale nell'angolazione desiderata. Abbassare il perno di bloccaggio (A) per impedire la rotazione del braccio orientabile durante il trasporto.

Non trasportare il sistema senza il perno di blocco della rotazione inserito.

non trasportare a velocità superiori a 8 km/h (5 mph).

durante il trasporto del sistema, prestare attenzione agli eventuali ostacoli aerei e pericoli elettrici che potrebbero causare lesioni gravi o morte.

3.0 USO

- 3.1 PRIMA DI CIASCUN UTILIZZO:** Verificare che l'area di lavoro e il sistema di protezione anticaduta soddisfino tutti i criteri definiti in queste istruzioni. e che sia messo in atto un piano formale di salvataggio. Esaminare attentamente il sistema in base ai punti di ispezione per l'utente indicati nel "Registro di ispezione e manutenzione" (Tabella 2). Se l'ispezione rivela una condizione di non sicurezza o difetto, o in caso di dubbi sulle sue condizioni d'uso in sicurezza, rimuovere immediatamente il sistema dal servizio. Apporre un'etichetta che indichi in modo chiaro "NON USARE". Per ulteriori informazioni, consultare la Sezione 4.
- 3.2 POSIZIONAMENTO DEL SISTEMA:** Vedere Figura 8. Posizionare la base ad H su una struttura di appoggio a livello che soddisfi i requisiti di resistenza indicati nella Tabella 1. Utilizzando gli indicatori di livello, verificare che la pendenza della struttura di appoggio sia compresa tra più o meno 1° dalla verticale in entrambe le direzioni della base.
- 3.3 AREA DI LAVORO SICURA:** Il raggio di lavoro sicuro della base del braccio non si estende oltre la lunghezza della base stessa. Vedere la Figura 9 per riferimento. Quando utilizza il sistema a braccio M100, l'utente deve rimanere all'interno della zona di lavoro sicura indicata (A). Lasciare la zona di lavoro sicura per dirigersi in un luogo esterno (B) è pericoloso e può provocare lesioni gravi o morte. Quando si lavora su entrambi i lati del sistema a braccio M100, mantenere il punto di ancoraggio sopra alla testa. Se è presente un dispositivo di bloccaggio della rotazione sull'attacco del braccio girevole, non agire mai oltre tale dispositivo. Per ulteriori informazioni, consultare le Istruzioni per l'uso del braccio orientabile M100 (5908371).

4.0 ISPEZIONE

Dopo che il prodotto è stato rimosso dal servizio, non può essere rimesso in servizio fino a quando una persona competente non confermi per iscritto che è accettabile farlo.

- 4.1 FREQUENZA DELLE ISPEZIONI:** Il prodotto deve essere ispezionato dall'utente prima di ciascun utilizzo e da una persona competente diversa dall'utente, a intervalli minimi di una volta all'anno. Una frequenza più elevata di utilizzo dell'attrezzatura e condizioni più gravose possono richiedere un aumento della frequenza delle ispezioni da parte della persona competente. La frequenza delle ispezioni deve essere determinata dalla persona competente in base alle condizioni specifiche del luogo di lavoro.
- 4.2 PROCEDURE DI ISPEZIONE:** Ispezionare il prodotto secondo le procedure elencate in "Registro di ispezione e manutenzione". La documentazione di ciascuna ispezione deve essere conservata dal proprietario dell'apparecchiatura. Un registro di ispezione e manutenzione deve essere posizionato vicino al prodotto o comunque facilmente accessibile agli utenti. Si raccomanda di contrassegnare il prodotto con la data della prossima o dell'ultima ispezione effettuata, se possibile.
- 4.3 DIFETTI:** Se la base ad H non può essere rimessa in servizio a causa di un difetto esistente o perché potrebbe compromettere la sicurezza, distruggere il sistema o contattare 3M o un centro di assistenza autorizzato 3M per eventuali riparazioni.

3 Persona autorizzata: Persona incaricata dal datore di lavoro di svolgere mansioni in un luogo in cui la persona sarà esposta a pericolo di caduta.

4 Soccorritore: Una persona che utilizza il sistema di salvataggio per eseguire un salvataggio assistito.

4.4 DURATA DEL PRODOTTO: La durata operativa della base ad H dipende dalle condizioni di lavoro e dalla manutenzione. L'articolo può rimanere in servizio, finché è in grado di soddisfare i criteri di ispezione.

5.0 MANUTENZIONE, ASSISTENZA e STOCCAGGIO

Le apparecchiature che necessitano di manutenzione, o sono programmate per la manutenzione, devono essere contrassegnate come "NON UTILIZZARE". I contrassegni sull'apparecchiatura non devono essere rimossi fino a quando non viene eseguita la manutenzione.

5.1 PULIZIA: Pulire regolarmente la base ad H con una spazzola morbida, acqua calda e un detergente neutro. Accertarsi che le parti siano completamente risciacquate con acqua pulita.

5.2 MANUTENZIONE: Solo 3M o i centri autorizzati per iscritto da 3M possono procedere alla riparazione di questa attrezzatura.

5.3 STOCCAGGIO: Se possibile, conservare la base di contrappeso e il relativo sistema di protezione anticaduta in un ambiente fresco, asciutto e pulito, lontano da luce solare diretta. Evitare zone con vapori chimici. Dopo un lungo periodo di inutilizzo, ispezionare attentamente i componenti.

6.0 ETICHETTE e CONTRASSEGNI

6.1 ETICHETTE: La Figura 10 illustra le etichette sulla base ad H. Sostituire le etichette se non sono completamente leggibili.

(A)	Etichetta di avvertenze: 1) Certificazione CE 2) Leggere le istruzioni 3) Logo aziendale 4) Certificazione CE e certificazione OSHA 5) Raggio di lavoro sicuro 6) Pesi massimi della base ad H = inferiore o uguale a 605 kg (1.335 lb) 7) Peso massimo del braccio orientabile M100 = inferiore o uguale a 365 kg (805 lb) 8) Peso massimo della base ad H + braccio orientabile M100 = inferiore o uguale a 970 kg (2.140 lb) 9) Pendenza massima della superficie di supporto = +/- 1°
(B)	Etichetta di identificazione: 1) Prodotto (anno/mese) 2) Numero di modello 3) Numero di serie 4) Logo aziendale

Lees alle veiligheidsinformatie in deze instructies voordat u dit FlexiGuard-systeem gebruikt. Vergewist u zich ervan dat u alle informatie hebt begrepen en volg deze op. **NALATIGHEID KAN ERNSTIG LETSEL OF DE DOOD TOT GEVOLG HEBBEN.**

Deze instructies dienen aan de gebruiker van deze apparatuur verstrekt te worden. Bewaar deze instructies zodat u ze later kunt raadplegen.

Beoogd gebruik:

Dit verticale FlexiGuard-systeem is bedoeld voor gebruik als onderdeel van een volledig valbeveiligings- of reddingssysteem.

Gebruik in andere toepassingen, inclusief maar niet beperkt tot materiaalbehandeling, vrijetijdsactiviteiten, sporten of andere activiteiten die niet in de gebruiks- of installatie-instructies omschreven staan, wordt niet goedgekeurd door 3M en kan leiden tot een ongeval met ernstig letsel of de dood tot gevolg.

Dit systeem mag uitsluitend worden gebruikt door opgeleide gebruikers voor toepassingen op de werkplaats.



WAARSCHUWING

Dit FlexiGuard-systeem maakt deel uit van een persoonlijk valbeveiligings- of reddingssysteem. Er wordt verwacht dat alle gebruikers volledig zijn opgeleid voor een veilige installatie en veilig gebruik van het complete systeem. **Misbruik van dit systeem kan leiden tot een ongeval met ernstig letsel of de dood tot gevolg.** Raadpleeg voor het correct selecteren, installeren, bedienen, onderhouden en verzorgen alle productinstructies, inclusief alle aanbevelingen van de fabrikant, of raadpleeg uw leidinggevende, of neem contact op met 3M Technical Services.

- **Doe het volgende om de risico's te beperken die gepaard gaan met het transporteren van een FlexiGuard-systeem, waarbij nalatigheid kan leiden tot ernstig letsel of een dodelijk ongeval:**
 - Zorg ervoor dat het systeem goed is beveiligd of geconfigureerd voor transport. Raadpleeg de gebruikersinstructies voor gedetailleerde transporteisen.
 - Alleen vervoeren met een snelheid onder 5 mph (8 km/h) en over hellingen van 10° of minder, of zoals beschreven in de gebruikersinstructies.
 - Zorg ervoor dat het systeem tijdens het transport of tijdens het gebruik geen bovenliggende voorwerpen of elektrische gevaren raakt.
- **Doe het volgende om de risico's te beperken die gepaard gaan met het werken met een FlexiGuard-systeem waarbij nalatigheid kan leiden tot ernstig letsel of een dodelijk ongeval:**
 - Inspecteer voorafgaand aan elk gebruik alle onderdelen van het systeem, minstens één keer per jaar en na elke valgebeurtenis. Voer de inspectie uit conform de gebruiksinstructies.
 - Als uit inspectie een defect of onveilige werking blijkt, stelt u het systeem onmiddellijk buiten gebruik en zorgt u voor reparatie of vervanging volgens de gebruiksinstructies.
 - Elk systeem dat onderworpen is geweest aan valstop- of botskrachten, moet onmiddellijk buiten gebruik worden gesteld. Raadpleeg de Gebruikersinstructies of neem contact op met 3M Valbescherming.
 - Het substraat of de structuur waarop het systeem is bevestigd/gepositioneerd, moet de statische belastingen die zijn opgegeven voor het systeem, kunnen ondersteunen in de oriëntaties die in de gebruiksaanwijzing of installatie-instructies zijn toegestaan.
 - Overschrijd het volgens de gebruikersinstructies aantal toegestane gebruikers niet.
 - Verbind u nooit aan een systeem totdat het volledig is gemonteerd, geplaatst, aangepast en geïnstalleerd. Stel het systeem niet bij wanneer er een gebruiker is aangesloten.
 - Werk nooit buiten het veilige werkgebied zoals dat is gedefinieerd in de gebruikersinstructies.
 - Verbind u niet aan het systeem wanneer het wordt verplaatst of geïnstalleerd.
 - Zorg altijd voor een 100% bevestiging bij het overbrengen tussen ankerpunten op het systeem.
 - Wees voorzichtig bij het installeren, gebruiken en verplaatsen van het systeem, aangezien bewegende delen potentiële afknelpunten kunnen creëren.
 - Zorg ervoor dat er correcte uitschakelprocedures, indien van toepassing, zijn gevolgd.
 - Sluit beveiligingssubsystemen uitsluitend aan op het aangewezen verbindingspunt van het systeem
 - Zorg er bij het boren van gaten voor montage of installatie van het systeem voor dat er geen elektrische kabels, gasleidingen of andere kritische materialen of apparatuur door de boor kunnen worden geraakt.
 - Zorg ervoor dat valbeveiligingssysteem/-subsystemen samengesteld uit onderdelen van verschillende fabrikanten compatibel zijn en aan de geldende normen voldoen, waaronder ANSI Z359 of andere geldende voorschriften, normen of vereisten op het gebied van valbescherming. Raadpleeg altijd een deskundige en/of een gekwalificeerd persoon voordat u deze systemen gebruikt.
 - geen van de bewegende onderdelen van het systeem contact maakt
- **Doe het volgende om de risico's te beperken die gepaard gaan met het werken op hoogte, waarbij nalatigheid kan leiden tot een ongeval met ernstig letsel of de dood tot gevolg:**
 - Vergewist u zich ervan dat u met uw gezondheid en lichamelijke conditie veilig bestand bent tegen alle krachten die kunnen optreden bij het werken op hoogte. Raadpleeg uw arts als u twijfelt of u in staat bent om deze uitrusting te gebruiken.
 - Overschrijd nooit de toelaatbare capaciteit van uw valbeveiligingsuitrusting.
 - Overschrijd nooit de maximale vrijevalafstand van uw valbeveiligingsuitrusting.
 - Gebruik nooit valbeveiligingsuitrusting die een gebrek vertoont bij de inspectie vóór het gebruik of andere periodieke inspecties, of als u onzeker bent over het gebruik of de geschiktheid van de uitrusting voor uw toepassing. Neem voor al uw vragen contact op met 3M Technical Services.
 - Sommige combinaties van subsystemen en componenten kunnen de werking van deze uitrusting verstoren. Gebruik uitsluitend koppelingen die onderling geschikt zijn. Raadpleeg 3M voordat u deze apparatuur gebruikt in combinatie met andere componenten of subsystemen dan die welke in de gebruiksinstructies beschreven staan.
 - Wees extra voorzichtig bij het werken in de buurt van bewegende machines (bijv. de bovenaandrijving van een boorplatform), op plaatsen met gevaar van elektra, extreme temperaturen, gevaar van chemische middelen, explosieve of giftige gassen, scherpe randen of onder voorwerpen boven het hoofd die op u of uw valbeveiligingsuitrusting kunnen vallen.
 - Gebruik bij werken in een hete omgeving of met hitteapparatuur beschermingsmiddelen tegen risico's op een vlamboog en brandgevaar.
 - Vermijd oppervlakken en voorwerpen die de gebruiker of de uitrusting kunnen beschadigen.
 - Vergewist u zich ervan dat er voldoende vrije val is bij werken op hoogte.
 - Wijzig of verander uw valbeveiligingsuitrusting nooit. Alleen 3M, of partijen die door 3M schriftelijk bevoegd worden gesteld, mogen de uitrusting repareren.
 - Zorg, voordat de valbeveiligingsuitrusting in gebruik wordt genomen, dat er een reddingsplan aanwezig is waarmee in geval van een ongeval snel hulp kan worden geboden.
 - Laat na een val de betreffende werknemer onmiddellijk door een arts onderzoeken.
 - Gebruik geen lichaamsgordel voor valstop-toepassingen. Gebruik uitsluitend een volledig lichaamsharnas.
 - Minimaliseer zwenkvallen door zo recht mogelijk onder het ankerpunt te werken.
 - Bij training met dit apparaat moet een tweede valbeveiligingssysteem worden gebruikt, om elk risico te vermijden dat de gebruiker-in-training per ongeluk aan valgevaar wordt blootgesteld.
 - Draag altijd geschikte persoonlijke beschermingsmiddelen bij het installeren, gebruiken of inspecteren van het apparaat/systeem.

Noteer voordat u deze apparatuur gebruikt de productidentificatiegegevens van het ID-label in het 'Inspectie- en onderhoudslogboek' achter in deze handleiding.

Zorg er altijd voor dat u de nieuwste versie van uw 3M-handleiding gebruikt. Ga naar de 3M-website of neem contact op met 3M Technical Services voor bijgewerkte handleidingen.

PRODUCTBESCHRIJVING:

In afbeelding 1 wordt de 3M™ Flexiguard™ M100 H-basis voor modulaire kraansystemen weergegeven. De H-basis is bedoeld voor gebruik met goedgekeurde Flexiguard M100-masten voor modulaire kraansystemen. Het systeem is vrijstaand en heeft geen extra contragewichten nodig. Voertuigen kunnen over de steunpoten van de H-basis rijden om dichterbij de mast te komen, zodat de gebruiker op het voertuig kan werken.

In afbeelding 2 worden de onderdelen van de H-basis weergegeven. Zie tabel 1 voor de componentspecificaties. De goedgekeurde 3M Flexiguard M100-mast wordt gemonteerd op de kogelkoppelingsstang. De steunpoten (D) ondersteunen de H-basis en zijn verbonden door de centrale middenvoet (B) waarop de nivelleringsindicatoren (C) zich bevinden. Controleer met behulp van de nivelleringsindicatoren of het systeem niet meer dan +/- 1° overhelst. De hefkanalen (E) worden gebruikt om de H-basis te vervoeren met een heftruck, pompwagen, kraan, etc.

Tabel 1 – Specificaties

Systeemspecificaties:		
Compatibiliteit:	De H-Base die in deze instructie worden behandeld, zijn compatibel met het 3M™ DBI-SALA® Flexiguard™ modulaire kraansysteem M100.	
Normen:	Ontworpen en getest volgens de vereisten van EN795:2012 (Type B), OSHA 1926.502 en OSHA 1910.140.	
Capaciteit:	Zie handleiding 5908371 van het 3M DBI-SALA Flexiguard M100 modulaire kraansysteem.	
Productgewicht:	605 kg (1335 lb)	
Vereisten voor steunconstructie:	De constructie die het valbeveiligingssysteem ondersteunt, moet bestand zijn tegen een gewicht van 1830 kg (4035 lb) + het gewicht van de verticale kraanbelasting.	
Maximale doorbuiging:	Raadpleeg de instructiehandleiding voor de M100-zwenkarm (5908371) voor meer informatie over de maximale systeemoorbuiging.	
Maximale stopkracht:	Alle verbindende subsystemen (SRD's, energieabsorberende vanglijnen, enz.) die met de contragewichtbasis worden gebruikt, moeten de maximale remkracht beperken tot 1.350 lbf (6 kN).	
Componentspecificaties:		
Referentie in afbeelding 2	Onderdeel	Materialen
Ⓐ	Kogelkoppelingsstang	Staal
Ⓑ	Middenvoet	Staal
Ⓒ	Nivelleringsindicatoren	Kunststof
Ⓓ	Steunpoten	Staal
Ⓔ	Hefkanalen	Staal

1.0 TOEPASSING VAN HET PRODUCT

1.1 DOEL: De H-basis is bedoeld voor gebruik als onderdeel van een valbeveiligingssysteem.

1.2 BESCHRIJVING: De vloermontagebasis (afbeelding 1) moet op een vlakke ondergrond staan en wordt gebruikt als montagepunt voor het 3M™ DBI-SALA® Flexiguard™ M100 modulaire kraansysteem.

1.3 NORMEN: De H-basis voldoet aan de nationale of regionale norm(en) die staan vermeld op de omslag van deze instructies. Als dit product opnieuw verkocht wordt buiten het oorspronkelijke land van bestemming, dient de wederverkoper deze instructies te leveren in de taal van het land waarin het product gebruikt gaat worden.

1.4 TOEZICHT: Installatie van deze apparatuur dient plaats te vinden onder toezicht van een gekwalificeerde persoon¹. Het gebruik van deze apparatuur moet plaatsvinden onder toezicht van een deskundige persoon².

1.5 TRAINING: De gebruiker van deze apparatuur is verantwoordelijk om deze instructies te begrijpen en te zijn getraind in correcte installatie, gebruik en onderhoud van deze apparatuur. De gebruikers moet zich bewust zijn van de gevolgen van onjuiste installatie of gebruik van deze apparatuur. Deze handleiding is geen vervanging voor een trainingsprogramma. Er moet periodiek training worden gegeven om de bekwaamheid van de gebruiker te garanderen.

1.6 REDDINGSPLAN: Wanneer deze apparatuur en verbindende subsystemen worden gebruikt, dient de werkgever te beschikken over een reddingsplan en de middelen binnen bereik te hebben om het reddingsplan te implementeren

1 Gekwalificeerd persoon: Iemand met een erkend diploma, certificaat of professionele reputatie, of die door uitgebreide kennis, training en ervaring met succes zijn/haar vermogen heeft aangetoond om problemen met valbeveiligings- en reddingssystemen op te lossen in de mate vereist door OSHA of andere geldende nationale, regionale en lokale voorschriften.

2 Deskundig persoon: Een persoon die in staat is om bestaande en voorspelbare gevaren in de werkomgeving of -omstandigheden te identificeren die onhygiënisch, gevaarlijk of riskant zijn voor werknemers en die bevoegd is om direct corrigerende acties te ondernemen om gevaren te elimineren.

en het te communiceren naar gebruikers en bevoegde personen³, en redders⁴ Het wordt aanbevolen dat een getraind reddingsteam ter plekke aanwezig is. Teamleden moeten de apparatuur en technieken aangeleverd krijgen om een succesvolle reddingsactie te verrichten. Er moet op periodieke basis training gegeven worden om ervoor te zorgen dat de kennis van de redders actueel blijft.

- 1.7 NA EEN VAL:** Als deze apparatuur wordt blootgesteld aan val- of stootkrachten, moet u deze onmiddellijk buiten gebruik stellen. Markeer de apparatuur duidelijk met 'NIET GEBRUIKEN'. Zie paragraaf 4 voor meer informatie.

2.0 INSTALLATIE

- 2.1 PLANNING:** Plan uw valstopsysteem voorafgaand aan het installeren van de contragewichtbasis. Houd rekening met alle factoren die uw veiligheid voor, tijdens en na een val kunnen beïnvloeden. Houd rekening met alle eisen, beperkingen en specificaties die zoals gedefinieerd in deze instructies.
- 2.2 MONTEER DE STALEN STEUNPOTEN:** Zie afbeelding 3. Plaats de centrale middenvoet op de gewenste plek. Zet de twee steunpoten op hun plaats en bevestig ze met de meegeleverde 1/2" bouten. Draai de bouten aan tot 81 N-m (60 ft-lb).
- 2.3 MONTEER DE RIJPLATEN:** zie afbeelding 4. Plaats de rijplaten. Bevestig de rijplaten met de meegeleverde 3/8" bouten. Draai de bouten aan tot 61 Nm (45 ft-lb).
- 2.4 INSTALLEER DE M100-ZWENKARM OP DE BASIS:** Zie afbeelding 5. Laat de M100-zwenkarm op de kogelkoppelingsslang van de H-basis zakken.
- 1. SMEER DE MAST:** zie afbeelding 6. Breng vet aan op de smeernippel op de mast.
- 2.5 HET SYSTEEM TRANSPORTEREN:** Zie afbeelding 7. Het systeem kan worden vervoerd met behulp van de hefkanalen (B) aan de onderkant van de basis. Plaats de staander voorafgaand aan transport in de gewenste hoek. Laat de borgpen (A) zakken om te voorkomen dat de zwenkarm tijdens transport gaat draaien.

Vervoer het systeem niet zonder dat de rotatievergrendelingspin is geplaatst.

Vervoer het systeem niet met snelheden hoger dan 8 km/u.

Houd bij het transport van het systeem rekening met obstakels boven het hoofd en elektrische gevaren die kunnen leiden tot ernstig of dodelijk letsel.

3.0 GEBRUIK

- 3.1 VÓÓR ELK GEBRUIK:** Controleer of uw werkgebied en valbeveiligingssysteem voldoen aan alle criteria die in deze instructies zijn gedefinieerd. Controleer of er een officieel reddingsplan aanwezig is. Inspecteer het product aan de hand van de 'gebruikersinspectiepunten' zoals gedefinieerd in het 'Logboek voor inspectie en onderhoud' (tabel 2). Als de inspectie een onveilige of defecte toestand aan het licht brengt of als er twijfel bestaat over de geschiktheid van het systeem voor veilig gebruik, moet u het systeem onmiddellijk buiten gebruik stellen. Markeer het systeem duidelijk met "NIET GEBRUIKEN". Zie paragraaf 4 voor meer informatie.
- 3.2 HET SYSTEEM POSITIONEREN:** Zie afbeelding 8. Plaats de H-basis op een vlakke steunconstructie die voldoet aan de sterktevereisten zoals vermeld in tabel 1. Controleer met behulp van de nivelleringsindicatoren of de helling van de steunconstructie zich verticaal binnen plus of min 1° in beide richtingen van de basis bevindt.
- 3.3 VEILIG WERKGEBIED:** De veilige werkradius van de zwenkarmbasis reikt niet verder dan de lengte van de zwenkarm zelf. Zie afbeelding 9 voor referentie. Bij gebruik van het M100-kraansysteem moet de gebruiker binnen de aangegeven veilige werkzone (A) blijven. Het verlaten van de veilige werkzone naar een locatie daarbuiten (B) is gevaarlijk en kan leiden tot ernstig letsel of de dood. Houd het ankerpunt bij het werken aan beide zijden van het M100-kraansysteem zo dicht mogelijk boven uw hoofd. Als er een rotatieblokkering op de kraanconstructie zit, werk dan nooit voorbij die rotatieblokkering. Zie de gebruikersinstructies voor de M100-kraan (5908371) voor meer informatie.

4.0 INSPECTIE

Nadat het product buiten gebruik is gesteld, mag het niet opnieuw in gebruik worden genomen totdat een bevoegd persoon schriftelijk heeft bevestigd dat dit aanvaardbaar is.

- 4.1 REGELMAAT VAN INSPECTIE:** Het product moet voorafgaand aan het gebruik door de gebruiker worden geïnspecteerd en daarnaast door een andere deskundige persoon dan de gebruiker met intervallen van ten hoogste een jaar. Bij een hogere frequentie van het gebruik van de apparatuur en zwaardere omstandigheden moet de frequentie van inspecties door bevoegde personen mogelijk worden verhoogd. De frequentie van deze inspecties moet worden bepaald door de bevoegde persoon volgens de specifieke omstandigheden van de werkplek.
- 4.2 INSPECTIEPROCEDURES:** Inspecteer dit product volgens de procedures in het 'Logboek voor inspectie en onderhoud'. De documentatie van elke inspectie moet worden bijgehouden door de eigenaar van deze apparatuur. Een inspectie- en onderhoudslogboek moet in de buurt van het product worden geplaatst of anderszins gemakkelijk toegankelijk zijn voor gebruikers. Het wordt aanbevolen om het product te markeren met de datum van de volgende of laatste inspectie.
- 4.3 DEFECTEN:** Als de H-basis niet kan worden geretourneerd vanwege een bestaand defect of een onveilige toestand, vernietig dan het systeem of neem contact op met 3M of een door 3M geautoriseerd servicecentrum over een mogelijke reparatie.
- 4.4 GEBRUIKSDUUR VAN HET PRODUCT:** De functionele levensduur van de H-basis wordt bepaald door de

3 Bevoegd persoon: Een persoon die door de werkgever aangewezen is om werk uit te voeren op een locatie waar de persoon blootgesteld wordt aan een valgevaar.

4 Redder: Iemand die het reddingssysteem gebruikt om een reddingsactie uit te voeren.

werkomstandigheden en het onderhoud. Zolang het product bij inspectie aan de criteria voldoet, kan het in gebruik blijven.

5.0 ONDERHOUD, SERVICE en OPSLAG

Apparatuur die onderhoud nodig heeft of gepland is voor onderhoud, moet worden gemarkeerd met de tekst 'NIET GEBRUIKEN'. Deze apparatuurlabels mogen niet worden verwijderd voordat onderhoud is uitgevoerd.

- 5.1 REINIGEN:** Reinig de H-basis periodiek met een zachte borstel, warm water en een milde zeepoplossing. Zorg ervoor dat de onderdelen grondig worden gespoeld met schoon water.
- 5.2 ONDERHOUD:** Alleen 3M of partners die hiervoor schriftelijk door 3M zijn geautoriseerd, mogen deze apparatuur repareren.
- 5.3 OPSLAG:** Indien van toepassing, dient u de H-basis en bijbehorende valstopapparatuur op te slaan in een koele, droge, schone omgeving en buiten bereik van direct zonlicht. Vermijd plekken waar chemische dampen kunnen voorkomen. Inspecteer de onderdelen grondig na een langdurige opslag.

6.0 LABELS en MARKERINGEN

- 6.1 LABELS:** In afbeelding 10 worden de labels op de H-basis weergegeven. Labels moeten worden vervangen wanneer ze niet volledig leesbaar zijn. Elk label bevat de volgende informatie:

Ⓐ	Waarschuwinglabel: 1) CE-certificering 2) Lees de instructies 3) Bedrijfslogo 4) CE-certificering en OSHA-certificering 5) Veilige werkradius 6) Maximaal gewicht van H-basis = minder dan of gelijk aan symbool 605 kg (1335 lb) 7) Maximaal gewicht van M100-zwenkarm = minder dan of gelijk aan symbool 365 kg (805 lb) 8) Maximaal gewicht van H-basis + M100-zwenkarm = minder dan of gelijk aan symbool 970 kg (2140 lb) 9) Maximale helling steunconstructie = +/- 1°
Ⓑ	Identificatielabel: 1) Fabrieksdatum (jaar/maand) 2) Modelnummer 3) Serienummer 4) Bedrijfslogo

SIKKERHETSINFORMASJON

Les, forstå og følg all sikkerhetsinformasjon i disse instruksjonene før du tar dette Flexiguardsystemet i bruk. **UNNLATELSE AV Å GJØRE DETTE KAN FØRE TIL ALVORLIG SKADE ELLER DØD.**

Disse instruksjonene må gis til brukeren av utstyret. Ta vare på disse instruksjonene for fremtidig referanse.

Tilsiktet bruk:

Dette Flexiguardsystemet er beregnet for bruk som del av et komplett personlig fallsikrings- eller redningsssystem.

Bruk i en hvilken som helst annen sammenheng inkludert, men ikke begrenset til, materialhåndtering, fritidsbruk eller idrettsrelaterte aktiviteter, eller andre aktiviteter som ikke beskrives i Brukerinstruksjonene eller Installeringsinstruksjonene, er ikke godkjent av 3M og kan resultere i alvorlig personskade eller død.

Dette systemet skal bare brukes av opplærte brukere i arbeidsplassanvendelser.

ADVARSEL

Dette Flexiguardsystemet er del av et personlig fallsikrings- eller redningsssystem. Det forventes at alle brukere er fullt opplært i sikker installering og betjening av det fullstendige systemet. **Misbruk av dette systemet kan resultere i alvorlig personskade eller død.** For riktig utvelgelse, betjening, installering, vedlikehold og service, se alle produktinstruksjoner, inkludert alle produsentens anbefalinger, snakk med din arbeidsleder, eller kontakt 3M Tekniske tjenester.

- **For å redusere risikoen som er forbundet med å transportere et Flexiguardsystem som, om det ikke unngås, kan resultere i alvorlig personskade eller død:**
 - Se til at systemet er ordentlig sikret eller konfigurert før transport. Se Brukerinstruksjonene for detaljerte transportkrav.
 - Må kun transporteres under 8 km/t og med stigninger på 10 o eller mindre, eller som skissert i Brukerinstruksjonene.
 - Sørg for at systemet ikke vil komme i kontakt med overliggende gjenstander eller elektriske farer under transport eller mens det er i bruk.
- **For å redusere risikoen som er forbundet med å arbeide med et Flexiguardsystem som, om det ikke unngås, kan resultere i alvorlig personskade eller død:**
 - Inspiser alle komponenter i systemet før hver bruk, minst én gang årlig, og etter enhver fallhendelse. Inspiser i samsvar med bruksanvisningene.
 - Hvis inspeksjonen avdekker en utrygg eller defekt tilstand, må enheten tas ut av tjeneste og repareres eller skiftes ut i samsvar med brukerinstruksjonene.
 - Enhver innretning som er blitt belastet som følge av fall eller støtkrefter, må umiddelbart tas ut av bruk. Se brukerinstruksjonene eller ta kontakt med 3M Fallsikring.
 - Det underlag eller den struktur som innretningen er festet til må være i stand til å motstå de statiske belastningene som spesifiseres for innretningen i orienteringer tillatt i Brukerinstruksjonene eller Installeringsinstruksjonene.
 - Ikke overskrid antall tillatte brukere i henhold til Brukerinstruksjonene.
 - Fest deg aldri til et system før det er posisjonert, fullstendig montert, justert og installert. Ikke juster systemet mens en bruker er festet.
 - Utfør aldri arbeid utenfor det sikre arbeidsområdet som definert av Brukerinstruksjonene.
 - Ikke koble deg til systemet mens det transporteres eller installeres.
 - Behold alltid 100 % fastbinding ved overføring mellom forankringspunkter på systemet.
 - Utvis forsiktighet ved installering, bruk og flytting av systemet da bevegelige deler vil kunne skape potensielle klemmepunkter.
 - Sørg for at ordentlige utestengningsprosedyrer er blitt fulgt slik de skal.
 - Fallsikringsundersystemene må bare kobles til det angitte ankringskoblingspunkt på innretningen.
 - Når du borer hull for montering eller installering av systemet, se til at ingen elektriske ledninger, gassledninger, eller andre kritiske materialer eller utstyr vil komme i kontakt med boret.
 - Sørg for at fallsikringsystemer/undersystemer som er satt sammen av komponenter fremstilt av forskjellige produsenter er kompatible og oppfyller kravene i gjeldende standarder, inkludert ANSI Z359 eller andre gjeldende fallsikringsnormer, standarder, eller krav. Rådfør deg alltid med en kompetent eller kvalifisert person før du bruker disse systemene.
- **For å redusere risikoen som er forbundet med arbeid i høyden som, om det ikke unngås, kan resultere i alvorlig personskade eller død:**
 - Sørg for at din helse og fysiske tilstand gjør det mulig for deg sikkert å motstå alle de krefter som er forbundet med arbeid i høyden. Rådfør deg med legen din hvis du har noen spørsmål angående din evne til å bruke dette utstyret.
 - Du må aldri overskride tillatt kapasitet for ditt fallsikringsutstyr.
 - Du må aldri overskride maksimal frifallavstand for ditt fallsikringsutstyr.
 - Ikke bruk noe fallsikringsutstyr som ikke består inspeksjoner før bruk eller andre planmessige inspeksjoner, eller dersom du har bekymringer om bruken, eller om hvor egnet utstyret kan være for ditt bruksområde. Kontakt 3M Tekniske tjenester med eventuelle spørsmål.
 - Noen delsystemer og delekombinasjoner kan hindre bruken av dette utstyret. Bruk kun kompatible koblinger. Kontakt 3M dersom dette utstyret blir brukt sammen med andre komponenter eller delsystemer enn de som beskrives i brukerinstruksjonene.
 - Utvis ekstra forsiktighet når du arbeider rundt bevegelige maskiner (f.eks. rotasjonssystem for oljerigger), elektriske farer, ekstreme temperaturer, kjemiske farer, eksplosive eller giftige gasser, skarpe kanter eller i underkant av overhengende materialer som kan falle ned på deg eller ditt fallsikringsutstyr.
 - Bruk lysbueflamme eller Hot Works-innretninger når du arbeider i miljøer med høy varme.
 - Unngå overflater og gjenstander som kan skade brukeren eller utstyret.
 - Sørg for at det er tilstrekkelig fallklaring når du arbeider i høyden.
 - Du må aldri modifisere eller endre på ditt fallsikringsutstyr. Bare 3M eller virksomheter med skriftlig godkjenning fra 3M kan reparere dette utstyret.
 - Før bruk av fallsikringsutstyr, pass på at det finnes en redningsplan som muliggjør rask redning hvis et falluhell skulle inntreffe.
 - Hvis et falluhell inntreffer, søk umiddelbart medisinsk hjelp for den arbeidende som har falt.
 - Ikke bruk støttebelter til fallstoppbruk. Bruk kun en helkroppssele.
 - Minimer svingfall ved å arbeide så rett under forankringspunktet som mulig.
 - Hvis du trener med denne innretningen, må et sekundært fallsikringsystem benyttes på en slik måte at det ikke eksponerer lærlingen for en utilsiktet fallfare.
 - Ha alltid på hensiktsmessig personlig verneutstyr når du installerer, bruker eller inspiserer innretningen/systemet.

Skriv ned produktidentifikasjonen fra ID-merket i «Inspeksjons- og vedlikeholdslogg» på baksiden av denne veiledningen før bruk av utstyret.

Forsikre deg alltid om at du bruker den siste revisjonen av 3M-brukerveiledningen. Gå til 3M-nettstedet eller kontakt 3Ms tekniske tjenester for oppdaterte brukerveiledninger.

PRODUKTBESKRIVELSE:

Figur 1 illustrerer 3M™ Flexiguard™ modulært kransystem M100 H-sokkel. H-sokkelen er utformet for bruk sammen med godkjent Flexiguard modulært kransystem M100-master. Systemet er frittstående og krever ingen ekstra motvekt. H-sokkelen gjør det mulig for kjøretøyer å kjøre over støttebena for å få dem nærmere masten slik at brukeren kan jobbe på toppen av kjøretøyene.

Figur 2 illustrerer komponentene til H-sokkelen. Se tabell 1 for komponentspesifikasjoner. Monter den godkjente 3M Flexiguard M100-masten på festekulestangen (A). Støttebena (D) gir støtte for H-sokkelen og er koblet sammen med hovedsenter sokkelen (B), der nivelleringsindikatorne (C) er plassert. Bruk nivelleringsindikatorne for å sjekke at systemet er innenfor +/- 1° av tillatt skråning. Løftekanalene (E) brukes til å transportere H-sokkelen med en gaffeltruck, palljekk, kran etc.

Tabell 1 – Spesifikasjoner

Systemspesifikasjoner:		
Kompatibilitet:	H-sokkelen som er dekket i denne bruksanvisningen, er kompatibel med 3M™ DBI-SALA® Flexiguard™ modulært kransystem M100.	
Standarder:	Utviklet og testet for å oppfylle kravene i EN795:2012 (Type B), OSHA 1926.502 og OSHA 1910.140.	
Kapasitet:	Se 3M DBI-SALA Flexiguard modulært kransystem M100-instruksjoner 5908371.	
Produktvekt:	605 kg (1335 pund)	
Krav til hvilestruktur:	Strukturen som støtter fallsikringssystemet må tåle 1830 kg (4035 pund) + vekten av kranen som loddrett belastning.	
Maksimal avbøyning:	Se bruksanvisningen for M100 Jib Boom (5908371) for mer informasjon om maksimal avbøyning av systemet.	
Maksimal bremsekraft:	Alle tilkoblede undersystemer (SRD-er, energiabsorberende livliner osv.) som brukes sammen med motvekt sokkelen, må begrense den maksimale bremsekraften til 1350 lbf (6 kN).	
Komponentspesifikasjoner:		
Figur 2 Referanse	Komponent	Materialer
Ⓐ	Festekulestang	Stål
Ⓑ	Hovedsenterbase	Stål
Ⓒ	Nivelleringsindikatorer	Plast
Ⓓ	Støtteben	Stål
Ⓔ	Løftekanaler	Stål

1.0 PRODUKTETS BRUKSOMRÅDE

- 1.1 HENSIKT:** H-sokkelen er utviklet for bruk som en komponent i et fallsikringssystem.
- 1.2 BESKRIVELSE:** Gulvmonterings sokkelen (figur 1) er utformet for å hvile på flatt underlag og brukes som et monteringspunkt for 3M™ DBI-SALA® Flexiguard™ modulært kransystem M100.
- 1.3 STANDARDER:** H-sokkelen oppfylder kravene til nasjonale eller regionale standarder som oppgis på omslaget til denne brukerveiledningen. Hvis dette produktet selges utenfor det opprinnelige destinasjonslandet, må forhandleren stille disse instruksjonene til rådighet på språket i det aktuelle landet der produktet vil bli brukt.
- 1.4 KONTROLL:** Installasjon av dette utstyret må skje under tilsyn av en kvalifisert person¹. Bruk av dette utstyret må skje under tilsyn av en kvalifisert person².
- 1.5 OPPLÆRING:** Det er brukerens ansvar å forstå disse instruksjonene og få opplæring i riktig montering, bruk og vedlikehold av dette utstyret. Brukere må være klar over konsekvensene av feil installasjon eller bruk av dette utstyret. Denne bruksanvisningen er ikke en erstatning for et opplæringsprogram. Med jevne mellomrom må det gis opplæring for å sikre brukerens ferdigheter.
- 1.6 REDNINGSPLAN:** Ved bruk av dette utstyret og tilkobling av delsystemer må arbeidsgiveren ha en redningsplan og redningsutstyr tilgjengelig, samt informere brukere, autoriserte personer³ og redningspersoner⁴. Det anbefales å ha et opplært redningsteam på stedet. Teammedlemmer skal forsynes med utstyr og teknikker til å utføre en vellykket redning. Det bør gis regelmessig opplæring for å sikre at redningspersonellets kunnskaper opprettholdes.

1 Kvalifisert person: En person som har en anerkjent grad, sertifikat eller profesjonell anseelse, eller som ved omfattende kunnskap, opplæring og erfaring har demonstrert sin evne til å løse eller ordne opp i problemer knyttet til fallbeskyttelses- og redningssystemer i den grad det kreves av gjeldende nasjonale, regionale og lokale forskrifter.

2 Kompetent person: En person som er i stand til å identifisere eksisterende og mulige farer i omgivelsene eller arbeidsforhold som er uhygieniske, risikable eller farlige for ansatte, og som har myndighet til å utbedre eller fjerne dem.

3 Autorisert person: En person som er utnevnt av arbeidsgiver til å utføre oppgaver på stedet hvor personen vil være utsatt for fallrisiko.

4 Redningsperson: En person som bruker redningssystemet til å utføre en assistert redningsaksjon.

1.7 ETTER ET FALL: Hvis dette utstyret er utsatt for fallsikring eller støtkrefter, må du fjerne det fra drift umiddelbart. Merk det tydelig med «IKKE BRUK». Se del 4 for mer informasjon.

2.0 MONTERING

2.1 PLANLEGGING: Planlegg fallsikringssystemet før installasjon av motvektsokkelen. Vurder faktorer som kan påvirke sikkerheten din før, under og etter et fall. Ta hensyn til alle krav og begrensninger som defineres i disse instruksjonene.

2.2 MONTERING AV STÅLSTØTTESOKKEL: Se figur 3. Plasser hovedsentersokkelen på ønsket sted. Sett de to støttebena på plass, og fest dem med den medfølgende 1/2" monteringsdelen. Stram monteringsdelen til 81 Nm (60 ft-lb).

2.3 MONTER OVERKJØRINGSVERN: Se figur 4. Plasser overkjøringsvernet. Fest dem med medfølgende 3/8" monteringsdeler. Stram monteringsdelen til 61 Nm (45 fotpund).

2.4 INSTALLER M100-KRANARMEN PÅ SOKKELEN: Se figur 5. Senk M100-kranarmen ned på H-sokkelens festekulestang.

1. SMØRING AV MASTEN: Se figur 6. Smør fett på mastens smørenippel.

2.5 TRANSPORT AV SYSTEMET: Se figur 7. Systemet kan transporteres ved bruk av løftekanalene (B) plassert nederst på basen. Før transport plasseres masten i ønsket vinkel. Senk låsepinnen (A) for å låse rotasjonen av kranarmen under transport.

Ikke transporter systemet uten at rotasjonslåsepinnen er satt inn.

Ikke transporter ved hastigheter over 8 km/t (5 mph).

Når du transporterer systemet, må du være oppmerksom på hindringer og elektriske farer som kan føre til alvorlig personskade eller død.

3.0 BRUK

3.1 FØR HVER BRUK: Kontroller at arbeidsområdet ditt og fallsikringssystemet oppfyller alle kriterier som er definert i disse instruksjonene. Bekreft at en formell redningsplan er innført. Inspiser systemet i henhold til inspeksjonspunktene for bruker, som er definert i *Inspeksjons- og vedlikeholdslogg* (tabell 2). Hvis inspeksjonen avslører en usikker eller defekt tilstand, eller hvis det er tvil om tilstanden for sikker bruk, fjerner du systemet fra bruk umiddelbart. Merk systemet tydelig med «IKKE BRUK». Se del 4 for mer informasjon.

3.2 PLASSERING AV SYSTEMET: Se figur 8. Plasser H-sokkelen på en plan hvilestruktur som tilfredsstiller styrkekravene beskrevet i tabell 1. Ved hjelp av nivelleringsindikatorerne, sjekk at hvilestrukturens helling er innenfor pluss eller minus 1° fra vertikal i begge retninger av basen.

3.3 TRYGT ARBEIDSSOMRÅDE: Den trygge arbeidsradiusen til kranarmen strekker seg ikke lenger enn lengden på selve kransokkelen. Se figur 9 for referanse. Når du bruker M100-kransystemet, skal brukeren forbli innenfor den angitte trygge arbeidssonen (A). Det er farlig å forlate den trygge arbeidssonen til et sted utenfor (B) og kan føre til alvorlig personskade eller dødsfall. Ved arbeid på hver side av kransystemet M100 må forankringspunktet holdes så nært som mulig. Hvis et rotasjonsstopp er plassert på kranfestet, må du aldri jobbe forbi rotasjonsstoppet. Se brukerveiledningen for M100-kranarmen (5908371) for mer informasjon.

4.0 INSPEKSJON

Etter at produktet er tatt ut av drift, kan det ikke brukes igjen før en kompetent person bekrefter skriftlig at det er akseptabelt å gjøre det.

4.1 INSPEKSJONSINTERVALLER: Produktet skal kontrolleres av brukeren før hver bruk, og i tillegg av en annen kompetent person enn brukeren, i intervaller som ikke overskrider ett år. Utstyr som brukes hyppigere, og tøffere forhold kan kreve en reduksjon av intervallet mellom inspeksjoner av kompetent person. Intervallet mellom disse inspeksjonene skal bestemmes av den kompetente personen i henhold til de spesifikke forholdene på arbeidsplassen.

4.2 PROSEDYRER FOR INSPEKSJON: Inspiser dette produktet i henhold til prosedyrene som er oppført i *inspeksjons- og vedlikeholdsloggen*. Eieren av dette utstyret skal opprettholde dokumentasjonen for hver inspeksjon. En inspeksjons- og vedlikeholdslogg skal plasseres i nærheten av produktet eller på annen måte være lett tilgjengelig for brukere. Det anbefales at dette produktet merkes med datoen for neste eller siste inspeksjon.

4.3 DEFEKTER: Hvis H-sokkelen ikke kan returneres til drift på grunn av en eksisterende feil eller utrygg tilstand, kan du enten ødelegge systemet eller kontakte 3M eller et 3M-autorisert servicesenter om mulig reparasjon.

4.4 PRODUKTLEVETID: Den funksjonelle levetiden til H-sokkelen avhenger av arbeidstilstander og vedlikehold. Produktet kan brukes så lenge det oppfyller inspeksjonskriteriene.

5.0 VEDLIKEHOLD, SERVICE og OPPBEVARING

Utstyr som har behov for vedlikehold eller som er planlagt for vedlikehold, skal merkes «IKKE BRUK». Disse utstyrskodene skal ikke fjernes før vedlikehold er utført.

5.1 RENGJØRING: Rengjør H-sokkelen med jevne mellomrom med en myk børste, varmt vann og en mild såpeløsning. Sørg for å skylle delene godt med rent vann.

5.2 SERVICE: Kun 3M, eller virksomheter med skriftlig godkjenning fra 3M, kan reparere dette utstyret.

5.3 OPPBEVARING: Ved behov skal H-sokkelen og tilknyttet fallsikringssystem oppbevares på et kjølig, tørt og rent sted, beskyttet mot direkte sollys. Unngå områder hvor det kan finnes gasser fra kjemikalier. Gjennomfør en grundig inspeksjon

av komponenter etter langvarig lagring.

6.0 ETIKETTER og MERKER

6.1 **ETIKETTER:** Figur 10 illustrerer etiketter på H-sokkelen. Etikettene må skiftes ut hvis de ikke er fullt leselige.

Ⓐ	Advarselsetikett: 1) CE-sertifisering 2) Les bruksanvisningen 3) Firmaets logo 4) CE-sertifisering og OSHA-sertifisering 5) Trygg arbeidsradius 6) Maksimal vekt på H-sokkelen = mindre enn eller lik symbolet 605 kg (1335 pund) 7) Maksimal vekt på M100-kranarmen = mindre enn eller lik symbolet 365 kg (805 pund) 8) Maksimal vekt på H-sokkelen + M100-kranarmen = mindre enn eller lik symbolet 970 kg (2140 pund) 9) Maksimal helling for støtteflate = +/- 1°
Ⓑ	Identifikasjonsmerke: 1) Produsert (år/måned) 2) Modellnummer 3) Serienummer 4) Firmaets logo

Läs igenom, se till att du förstår och följ all säkerhetsinformation i denna bruksanvisning innan du använder detta Flexiguard-system. OM DETTA INTE GÖRS KAN DET LEDA TILL ALLVARLIGA SKADOR ELLER DÖDSFALL.

Dessa anvisningar måste tillhandahållas för den som ska använda denna utrustning. Spara dessa instruktioner för framtida referens.

Avsedd användning:

Flexiguard-systemet är avsett att användas som en del av ett komplett fallskydds- eller räddningssystem.

Användning för andra syften, inklusive men ej begränsat till, materialhantering, fritids- och idrottsaktiviteter eller andra aktiviteter som inte beskrivs i bruksanvisningarna eller installationsanvisningarna, godkänns inte av 3M och kan resultera i allvarlig skada eller dödsfall.

Systemet får endast användas av utbildade användare för professionellt bruk.

VARNING

Flexiguard-systemet är en del av ett personligt fallskydds- eller räddningssystem. Alla användare förväntas vara fullständigt utbildade i säker installation och användning av hela systemet. **Felaktig användning av systemet kan leda till allvarliga personskador eller dödsfall.** För korrekt val, användning, installation, underhåll och service hänvisas till alla bruksanvisningar för produkten och alla rekommendationer från tillverkaren, din arbetsledare eller 3M:s tekniska kundtjänst.

- **För att minska riskerna i samband med transport av ett Flexiguard-system som, om de inte undviks, kan leda till allvarliga personskador eller dödsfall:**
 - Säkerställ att systemet har säkrats och konfigurerats korrekt före transport. Se bruksanvisningen angående detaljerade krav för transport.
 - Transportera alltid med hastighet lägre än 8 km/tim och i lutningar mindre än 10 grader, eller enligt instruktioner i bruksanvisningen.
 - Säkerställ att systemet inte kan komma i kontakt med ovanliggande föremål eller elfaror under transport eller användning.
- **För att minska riskerna i samband med användning av ett Flexiguard-system som, om de inte undviks, kan leda till personskador eller dödsfall:**
 - Kontrollera alla komponenter i systemet före varje användning, minst en gång per år och efter varje fall. Utför kontrollen enligt bruksanvisningen.
 - Om ett osäkert eller defekt tillstånd upptäcks vid kontrollen ska utrustningen tas ur bruk och repareras eller bytas ut enligt bruksanvisningen.
 - Varje system som har utsatts för fallstopp eller fallkraft måste omedelbart tas ur bruk. Se bruksanvisningarna eller kontakta 3M Fall Protection.
 - Underlaget eller strukturen i vilken utrustningen fästs/positioneras måste kunna bära de statiska laster som anges för utrustningen i de riktningar som är tillåtna enligt bruksanvisningarna eller installationsanvisningarna.
 - Överskrid inte tillåtet antal användare enligt bruksanvisningen.
 - Anslut aldrig till ett system förrän detta har fullständigt monterats, positionerats, justerats och installerats. Justera inte systemet när en användare är ansluten.
 - Arbeta aldrig utanför säkert arbetsområde enligt definition i bruksanvisningen.
 - Anslut inte till systemet under pågående transport eller installation.
 - Tillämpa alltid 100 % avbindning vid förflyttning mellan förankringspunkter på systemet.
 - Iaktta försiktighet vid installation, användning och förflyttning av systemet då delar i rörelse kan ge upphov till klämpunkter.
 - Säkerställ att lämpliga procedurer för låsning/spärrning har följts när det är tillämpligt.
 - Koppla endast delsystem till fallskyddssystemets avsedda kopplingspunkter.
 - Säkerställ vid borring av hål för montering eller installation av systemet att inga elledningar, gasledningar eller andra kritiska material eller utrustningar kommer i kontakt med borren.
 - Se till att fallskyddssystem och delsystem som är monterade med komponenter från olika tillverkare är kompatibla och uppfyller kraven i tillämpliga standarder, inklusive ANSI Z359 eller andra tillämpliga regler, standarder eller krav på fallskydd. Anlita alltid en kompetent eller kvalificerad person före användning av dessa system.
- **För att minska risker för allvarlig skada eller dödsfall vid arbete på höga höjder:**
 - Se till att din hälsa och fysiska kondition medger att du säkert kan motstå alla krafter i samband med arbete på hög höjd. Rådgör med läkare om du har frågor kring din förmåga att använda den här utrustningen.
 - Överskrid aldrig din fallskyddsutrustnings godkända kapacitet.
 - Överskrid aldrig din fallskyddsutrustnings maximala avstånd för fritt fall.
 - Använd aldrig fallskyddsutrustning som inte godkänts vid inspektion före användning eller andra schemalagda inspektioner, eller om du är osäker på huruvida utrustningen kan användas eller lämpar sig för ditt tillämpningsområde. Vänd dig till 3M:s tekniska kundtjänst med eventuella frågor.
 - Vissa kombinationer av undersystem och komponenter kan störa utrustningens funktionsduglighet. Använd endast kompatibla kopplingar. Rådfråga 3M innan du använder denna utrustning i kombination med andra komponenter eller undersystem än de som beskrivs i bruksanvisningen.
 - Iaktta särskild försiktighet vid arbete i närheten av rörliga maskindelar (t.ex. toppspindel på oljerigg), elfara, höga temperaturer, farliga kemikalier, explosiva eller giftiga gaser, skarpa kanter eller under material som kan falla ner på dig eller din fallskyddsutrustning.
 - Använd Arc Flash- eller Hot Works-enheter vid arbete i miljöer med höga temperaturer.
 - Undvik ytor och föremål som kan skada användare eller utrustning.
 - Se till att det finns tillräcklig fallmarginal vid arbete på höga höjder.
 - Du skall aldrig modifiera eller ändra din fallskyddsutrustning. Endast 3M eller av 3M skriftligen auktoriserade parter får utföra reparationer på utrustningen.
 - Innan du använder fallskyddsutrustning skall du kontrollera att det finns en räddningsplan som medger snabb räddning vid eventuellt fall.
 - Om ett fall inträffar, bör arbetaren som fallit få omedelbar läkarvård.
 - Ett kroppsbalte får ej användas för fallstoppstillämpningar. Använd endast helkroppsselar.
 - Minimera risken för pendelfall genom att arbeta med förankringspunkten så rakt ovanför dig som möjligt.
 - Vid utbildning i användning av den här enheten måste ett andra fallskyddssystem användas för att inte utsätta personen som utbildas för en oavsiktlig fallrisk.
 - Använd alltid lämplig personlig skyddsutrustning vid installation, användning eller inspektion av enheten/systemet.

Anteckna ID-etikettens produktidentifieringsuppgifter i besiktnings- och underhållsloggen på baksidan av denna bruksanvisning innan utrustningen används.

Säkerställ alltid att du använder den senaste versionen av 3M-bruksanvisningen. Gå till 3M:s webbplats eller kontakta 3M:s tekniska support för information om aktuella bruksanvisningar.

PRODUKTBESKRIVNING:

H-basenheten för 3M™ Flexiguard™ modulärt svängbomssystem M100 visas i figur 1. H-basenheten har konstruerats för användning med godkända master för Flexiguard modulärt svängbomssystem M100. Systemet är fristående och ingen ytterligare motvikt krävs. H-basenheten gör det möjligt för fordon att köra över stödbenen så att de kan komma närmare masten och användaren kan arbeta ovanpå fordonen.

H-basenhetens komponenter visas i figur 2. Se tabell 1 för komponentspecifikationer. Den godkända 3M Flexiguard M100-masten monteras på stolpen med fästkula (A). Stödbenen (D) ger stöd för H-basenheten och ansluts via mittbasenheten (B) där nivåindikatorerna (C) finns. Använd nivåindikatorerna för att kontrollera att systemets lutning motsvarar tillåten lutning $\pm 1^\circ$. Lyftkanalerna (E) används för att transportera H-basenheten med en gaffeltruck, palltruck, kran osv.

Tabell 1 – Specifikationer

Systemspecifikationer:		
Kompatibilitet:	H-basenheten som beskrivs i dessa instruktioner är kompatibla med 3M™ DBI-SALA® Flexiguard™ modulärt svängbomssystem M100.	
Standarder:	Har konstruerats och provats i enlighet med kraven i SS-EN 795: 2012 (typ B), OSHA 1926.502 och OSHA 1910.140.	
Kapacitet:	Se anvisningarna för 3M DBI-SALA Flexiguard modulärt svängbomssystem M100 5908371.	
Produktens vikt:	605 kg (1 335 lb)	
Krav på bärstruktur:	Strukturen som stöder fallskyddssystemet måste tåla en vertikal belastning på 1 830 kg (4 035 lb) + bommens vikt.	
Maximal nedböjning:	Mer information om maximal systemnedböjning finns i bruksanvisningen till M100-svängbommen (5908371).	
Maximal stoppkraft:	Alla anslutande undersystem (SRD-enheter, energiabsorberande kopplingslinor osv.) som används med motviktsbasen måste begränsa den maximala stoppkraften till 6 kN (1 350 lbf).	
Komponentspecifikationer:		
Figur 2 referens	Komponent	Material
Ⓐ	Stolpe med fästkula	Stål
Ⓑ	Mittbasenhet	Stål
Ⓒ	Nivåindikatorer	Plast
Ⓓ	Stödben	Stål
Ⓔ	Lyftkanaler	Stål

1.0 ANVÄNDNING AV PRODUKTEN

1.1 ÄNDAMÅL: H-basenheten är konstruerad för användning som en komponent i ett fallskyddssystem.

1.2 BESKRIVNING: Golvmonteringsbasenheten (figur 1) har konstruerats för att ligga på plan mark och användas som monteringspunkt för 3M™ DBI-SALA® Flexiguard™ modulärt svängbomssystem M100.

1.3 STANDARDER: H-basenheten överensstämmer med de nationella och regionala standarder som återges på framsidan av dessa anvisningar. Om produkten säljs utanför det ursprungliga mottagarlandet ska återförsäljaren tillhandahålla dessa instruktioner på språket i det land där produkten kommer att användas.

1.4 ÖVERVAKNING: Installation av denna utrustning måste övervakas av en kvalificerad person¹ Användning av denna utrustning ska övervakas av en kompetent person².

1.5 UTBILDNING: Det är användarnas ansvar att läsa dessa anvisningar och alla användare ska ha genomgått utbildning i korrekt montering, användning och underhåll av denna utrustning. Användarna måste känna till konsekvenserna om utrustningen monteras eller används på fel sätt. Denna bruksanvisning ersätter inte ett utbildningsprogram. Regelbunden utbildning ska tillhandahållas för att säkerställa användarnas kompetens.

1.6 RÄDDNINGSPLAN: När utrustningen och anslutande undersystem används måste arbetsgivaren ha en upprättad räddningsplan och resurser tillgängliga för införande av och information om räddningsplanen till användarna, behöriga personer³ och räddningspersonal⁴. Ett utbildat räddningsteam på plats rekommenderas. Teamets medlemmar ska förses med utrustning och metoder för att utföra en framgångsrik räddningsoperation. Regelbunden utbildning ska

1 Kvalificerad person: En person som har examen, betyg eller yrkesbefattning av godkänd typ, eller som genom omfattande kunskap, utbildning och erfarenhet har visat att de har fullgod förmåga att lösa problem som rör fallskydds- och räddningssystem enligt vad som krävs av tillämpliga nationella, regionala och lokala bestämmelser.

2 Kompetent person: En person som kan identifiera befintliga och förutsägbara risker i omgivningen, och hälsovådliga, riskfyllda eller farliga arbetsförhållanden för anställda och som har befogenhet att vidta omedelbara korrigerande åtgärder för att eliminera sådana risker och förhållanden.

3 Behörig person: En person som utsetts av arbetsgivaren att utföra arbeten på platser där personen utsätts för fallrisk.

4 Räddningspersonal: En person som använder räddningssystemet för att utföra en assisterad räddning.

tillhandahållas för att säkerställa räddningspersonalens kompetens.

- 1.7 EFTER ETT FALL:** Om utrustningen utsätts för fallstopp eller kollisionkrafter ska den omedelbart tas ur bruk. Märk den tydligt med "FÅR EJ ANVÄNDAS". Mer information finns i avsnitt 4.

2.0 INSTALLATION

- 2.1 PLANERING:** Gör en plan för fallskyddssystemet före montering av motviktsbasen. Ta hänsyn till alla faktorer som kan påverka säkerheten före, under och efter ett fall. Ta hänsyn till alla krav, begränsningar och specifikationer som anges i dessa anvisningar.
- 2.2 MONTERA STÖDBASENHETEN I STÅL:** Se figur 3. Placera mittbasenheten på önskad plats. Sätt de två stödbenen på plats och fäst dem med de medföljande fästelementen på 1/2 tum. Dra åt fästelementen till 81 Nm (60 ft-lb).
- 2.3 MONTERA ÖVERKÖRNINGSSKYDDEN:** Se figur 4. Placera ut överkörningsskydden. Fäst dem med de medföljande fästelementen på 3/8 tum. Dra åt fästelementen till 61 Nm (45 ft-lb).
- 2.4 INSTALLERA M100-SVÄNGBOMMEN PÅ BASENHETEN:** Se bild 5. Sänk ned M100-svängbommen på stolpen med fästkula på H-basenheten.
- 1. SMÖRJ MASTEN:** Se figur 6. Applicera fett i mastens smörjnippel.
- 2.5 TRANSPORT AV SYSTEMET:** Se bild 7. Systemet kan transporteras med hjälp av lyftkanalerna (B) som sitter längst ned på basenheten. Innan transport ska svängbommen placeras stående i önskad vinkel. Sänk ned låsstiftet (A) så att inte svängbommen kan rotera under transport.

Systemet får endast transporteras när rotation har spärrats med hjälp av låsstiftet.

Systemet får ej transporteras i en hastighet som överstiger 8 km/h (5 mph).

Under transport av systemet bör du vara uppmärksam på eventuella överliggande hinder och elektriska risker, vilka kan leda till allvarlig personskada eller dödsfall.

3.0 ANVÄNDNING

- 3.1 FÖRE VARJE ANVÄNDNING:** Kontrollera att arbetsområdet och fallskyddssystemet uppfyller alla kriterier som definieras i dessa instruktioner. Kontrollera att en formell räddningsplan har upprättats. Kontrollera systemet enligt "Användarens kontrollpunkter" som finns i "Besiktning- och underhållslogg" (tabell 2). Om inspektionen avslöjar ett osäkert eller defekt tillstånd, eller om det uppstår tvivel om systemets tillstånd för säker användning, ska du omedelbart ta systemet ur bruk. Märk systemet tydligt med "FÅR EJ ANVÄNDAS". Mer information finns i avsnitt 4.
- 3.2 PLACERA UT SYSTEMET:** Se bild 8. Placera H-basenheten på en plan bärstruktur som uppfyller de hållfasthetskrav som anges i tabell 1. Använd nivåindikatorerna och kontrollera att bärstrukturens lutning inte skiljer sig mer än +/-1° från vertikalen i basenhetsens båda riktningar.
- 3.3 SÄKERT ARBETSOMRÅDE:** Svängbombsbasens säkra arbetsradie sträcker sig inte längre än själva svängbombsbasen. Se figur 9 för information. När M100-svängbomssystemet används ska användaren stanna inom den angivna säkra arbetszonen (A). Det är farligt att lämna den säkra arbetszonen och förflytta sig till en plats utanför denna (B). Det kan leda till allvarlig personskada eller dödsfall. När du arbetar på ena sidan av M100-svängbomssystemet bör du se till att förankringspunkten alltid är så nära punkten rakt över huvudet som möjligt. Om det finns ett vridstopp på svängbomsfästet ska du aldrig arbeta bortom detta vridstopp. Mer information finns i användarinstruktionerna för M100-svängbommen (5908371).

4.0 BESIKTNING

När produkten har tagits ur bruk får den inte användas igen förrän en kompetent person skriftligen intygat att den användas.

- 4.1 BESIKTNINGSINTERVALL:** Produkten ska besiktas av användaren före varje användning och dessutom av en kvalificerad person (annan än användaren) minst en gång per år. Hög användningsfrekvens och hårda förhållanden kan innebära att det krävs fler besiktningar som ska utföras av kvalificerade personer. Frekvensen för dessa besiktningar bestäms av den kvalificerade personen enligt arbetsplatsens specifika villkor.
- 4.2 BESIKTNINGSPROCEDURER:** Besiktiga den här produkten enligt procedurerna som anges i *besiktning- och underhållsloggen*. Ägaren till denna utrustning ska arkivera dokumentation om varje besiktning. En besiktning- och underhållslogg bör placeras nära produkten eller på annat sätt vara lättillgänglig för användarna. Det rekommenderas att produkten märks med datumet för kommande eller senaste genomförda besiktning.
- 4.2 DEFEKTER:** Om H-basenheten inte kan tas i bruk igen på grund av en befintlig defekt eller ett osäkert tillstånd ska systemet antingen förstöras eller så ska du kontakta 3M eller ett servicecenter som auktoriserats av 3M om eventuell reparation.
- 4.3 PRODUKTENS LIVSLÄNGD:** H-basenhetsens livslängd beror på arbetsförhållanden och underhåll. Den får användas så länge den uppfyller besiktningskraven.

5.0 UNDERHÅLL, SERVICE och FÖRVARING

Utrustning som är i behov av underhåll eller har schemalagts för underhåll ska märkas "FÅR EJ ANVÄNDAS". Dessa utrustningstaggar ska inte tas bort förrän underhåll har utförts.

- 5.1 RENGÖRING:** Rengör regelbundet H-basenheten med en mjuk borste, varmt vatten och en mild tvållösning. Se till att delarna sköljs grundligt med rent vatten.

5.2 SERVICE: Endast 3M eller parter med skriftligt godkännande från 3M får reparera utrustningen.

5.3 FÖRVARING: Förvara om möjligt H-basenheten och tillhörande fallskyddsutrustning på en sval, torr och ren plats skyddad mot direkt solljus. Undvik platser där det kan finnas kemiska ångor. Kontrollera komponenterna noggrant efter långvarig förvaring.

6.0 ETIKETTER och MÄRKNINGAR

6.1 ETIKETTER: Etiketter på H-basenheten visas i figur 10. Etiketter som inte är helt läsliga ska bytas ut. Följande information finns på varje etikett:

Ⓐ	Varningsetikett: 1) CE-certifiering 2) Läs alla anvisningar 3) Företagslogotyp 4) CE- och OSHA-certifiering 5) Säker arbetsradie 6) Maximal vikt H-basenhets = mindre än eller lika med symbolen 605 kg (1 335 lb) 7) Maximal vikt M100-svängbom = mindre än eller lika med symbolen 365 kg (805 lb) 8) Maximal vikt H-basenhets + M100-svängbom = mindre än eller lika med symbolen 970 kg (2 140 lb) 9) Maximal lutning bäryta = +/-1°
Ⓑ	ID-etikett: 1) Tillverkad (år/månad) 2) Modellnummer 3) Serienummer 4) Företagslogotyp

<p style="text-align: center;">GLOBAL PRODUCT WARRANTY, LIMITED REMEDY AND LIMITATION OF LIABILITY</p> <p>WARRANTY: THE FOLLOWING IS MADE IN LIEU OF ALL WARRANTIES OR CONDITIONS, EXPRESS OR IMPLIED, INCLUDING THE IMPLIED WARRANTIES OR CONDITIONS OF MERCHANTABILITY OR FITNESS FOR A PARTICULAR PURPOSE.</p> <p>Unless otherwise provided by local laws, 3M fall protection products are warranted against factory defects in workmanship and materials for a period of one year from the date of installation or first use by the original owner.</p> <p>LIMITED REMEDY: Upon written notice to 3M, 3M will repair or replace any product determined by 3M to have a factory defect in workmanship or materials. 3M reserves the right to require product be returned to its facility for evaluation of warranty claims. This warranty does not cover product damage due to wear, abuse, misuse, damage in transit, failure to maintain the product or other damage beyond 3M's control. 3M will be the sole judge of product condition and warranty options.</p> <p>This warranty applies only to the original purchaser and is the only warranty applicable to 3M's fall protection products. Please contact 3M's customer service department in your region for assistance.</p> <p>LIMITATION OF LIABILITY: TO THE EXTENT PERMITTED BY LOCAL LAWS, 3M IS NOT LIABLE FOR ANY INDIRECT, INCIDENTAL, SPECIAL OR CONSEQUENTIAL DAMAGES INCLUDING, BUT NOT LIMITED TO LOSS OF PROFITS, IN ANY WAY RELATED TO THE PRODUCTS REGARDLESS OF THE LEGAL THEORY ASSERTED.</p>	<p style="text-align: center;">GLOBAL PRODUKTGARANTI, BEGRÆNSEDE RETSMIDLER OG BEGRÆNSNING AF GARANTIFORPLIGTELSE</p> <p>GARANTI: FØLGENDE ERSTATTER ALLE GARANTIER ELLER BETINGELSER, UDTRYKKELIGE ELLER UNDERFORSTÅEDE, HERUNDER DE UNDERFORSTÅEDE GARANTIER ELLER BETINGELSER FOR SALGBARHED ELLER EGNETHED TIL ET SPECIFIKT FORMÅL.</p> <p>Bortset fra hvad der sikres ved gældende love, er 3M's produkter til faldsikring omfattet af en garanti mod fabriksdefekter i den håndværksmæssige udførelse og materialer i en periode på et år fra installationsdatoen eller den første ejers ibrugtagningsdato.</p> <p>BEGRÆNSEDE RETSMIDLER: Ved skriftlig henvendelse til 3M vil 3M reparere eller erstatte ethvert produkt, der af 3M vurderes at have en fabriksdefekt i den håndværksmæssige udførelse eller materialer. 3M forbeholder sig ret til at kræve produktet returneret til dets anlæg for at vurdere krav om garanti. Denne garanti dækker ikke skade på produktet slid, misbrug, forkert brug, transportskade, manglende vedligeholdelse af produktet eller anden skade uden for 3M's kontrol. 3M vil alene fastslå produktets tilstand og mulighederne for garanti.</p> <p>Denne garanti gælder kun for den oprindelige køber og er den eneste garanti gældende for 3M's produkter til faldsikring. Kontakt venligst 3M's kundeserviceafdeling i dit område for at få hjælp.</p> <p>BEGRÆNSNING AF GARANTIFORPLIGTELSE: I DEN UDSTRÆKNING DET TILLADES AF LOKALE LOVE ER 3M IKKE ANSVARLIG FOR NOGEN INDIREKTE, TILFÆLDIGE, SPECIELLE ELLER PÅFØLGENDE SKADER, HERUNDER MEN IKKE BEGRÆNSET TIL TAB AF FORTJENESTE, DER PÅ NOGEN MÅDE ER RELATERET TIL PRODUKTERNE UANSET DEN UDLAGTE JURIDISKE TEORI.</p>
<p style="text-align: center;">GALE PRODUKTGARANTIE, BESCHRÄNKTES RECHTSMITTEL UND HAFTUNGSBESCHRÄNKUNG</p> <p>GARANTIE: FOLGENDES GILT STELLVERTRETEND FÜR ALLE GARANTIEN ODER BEDINGUNGEN, EINSCHLIESSLICH STILLSCHWEIGENDE ANGENOMMENER GARANTIEN ODER BEDINGUNGEN HINSICHTLICH DER TAUGLICHKEIT ODER EIGNUNG FÜR EINEN BESTIMMTEN ZWECK.</p> <p>Soweit gesetzlich nicht anders vorgeschrieben, werden bei 3M-Produkten für die Absturzicherung werksseitige Mängel bei Verarbeitung und Material für einen Zeitraum von einem Jahr ab dem Datum der Installation oder der erstmaligen Benutzung durch den ursprünglichen Eigentümer garantiert.</p> <p>BESCHRÄNKTES RECHTSMITTEL: Nach schriftlicher Mitteilung an 3M wird 3M jedes Produkt ersetzen oder austauschen, bei dem durch 3M ein werksseitiger Material- oder Verarbeitungsfehler festgestellt wird. 3M behält sich das Recht vor, die Rücksendung des Produkts an das Werk zur Beurteilung der Garantieansprüche zu verlangen. Unter dieser Garantie sind keine Schäden am Produkt gedeckt, die auf Verschleiß, Missbrauch, Transportschäden, Versäumnis der Instandhaltung des Produkts oder sonstige außerhalb der Kontrolle von 3M liegende Schäden zurückzuführen sind. 3M trifft allein die Entscheidung über Produktzustand und Garantieoptionen.</p> <p>Diese Garantie gilt ausschließlich für den ursprünglichen Käufer und ist die einzige, die für Absturzicherungsprodukte von 3M maßgeblich ist. Kontaktieren Sie bitte die Kunden-Service-Abteilung, um Unterstützung zu erhalten.</p> <p>HAFTUNGSBESCHRÄNKUNG: SOWEIT NACH GELTENDEM RECHT ZULÄSSIG, IST 3M NICHT HAFTBAR FÜR UNMITTELBARE, MITTELBARE, BESONDERE SCHÄDEN ODER FOLGESCHÄDEN JEDER ART, EINSCHLIESSLICH VON VERLUST VON GEWINN, DER IM ZUSAMMENHANG MIT DEN PRODUKTEN ENTSTEHT, UNGEACHTET DER ANGEFÜHRTEN RECHTSTHEORIE.</p>	<p style="text-align: center;">GARANTÍA GLOBAL DE PRODUCTO, COMPENSACIÓN LIMITADA Y LIMITACIÓN DE RESPONSABILIDAD</p> <p>GARANTÍA: LAS SIGUIENTES DISPOSICIONES PREVALECEÁN SOBRE CUALQUIER GARANTÍA O CONDICIÓN, EXPRESA O IMPLÍCITA, INCLUIDAS LAS CONDICIONES O GARANTÍAS IMPLÍCITAS DE COMERCIABILIDAD O IDONEIDAD PARA UN FIN ESPECÍFICO.</p> <p>Salvo que la legislación local estipule lo contrario, los productos de protección contra caídas de 3M están garantizados contra defectos de fabricación de mano de obra y materiales durante un periodo de un año a partir de la fecha de instalación o del primer uso por parte del propietario original.</p> <p>COMPENSACIÓN LIMITADA: Tras recibir comunicación por escrito, 3M reparará o sustituirá los productos que considere que tienen un defecto de fabricación de mano de obra o materiales. 3M se reserva el derecho a solicitar la devolución del producto a sus instalaciones para evaluar las reclamaciones de garantía. Esta garantía no cubre los daños en el producto resultantes de desgaste, mal uso, uso indebido, daños durante el tránsito, mantenimiento inapropiado del producto o daños que escapen al control de 3M. 3M será el único con derecho a determinar el estado del producto y las opciones de garantía.</p> <p>Esta garantía puede ser utilizada únicamente por el comprador original y es la única que cubre los productos de protección contra caídas de 3M. Si necesita ayuda, póngase en contacto con el departamento de servicios de atención al cliente de 3M.</p> <p>LIMITACIÓN DE RESPONSABILIDAD: EN LA MEDIDA QUE LO PERMITA LA LEGISLACIÓN LOCAL, 3M NO SE RESPONSABILIZARÁ DE LOS DAÑOS INDIRECTOS, FORTUITOS, ESPECIALES O RESULTANTES, INCLUIDA LA PÉRDIDA DE GANANCIA, RELACIONADOS DE MANERA ALGUNA CON LOS PRODUCTOS, INDEPENDIENTEMENTE DE LOS FUNDAMENTOS LEGALES QUE SE ALEGUEN.</p>
<p style="text-align: center;">GLOBAALI TUOTETAKUU, RAJATTU KORVAUS JA VASTUUNRAJOITUS</p> <p>TAKUU: SEURAAVA ON LAADITTU KAIKKIEN SUORIEN TAI EPÄSUORIEN TAKUIDEN TAI EHTOJEN SIJAAN, MUKAAN LUKIEN EPÄSUORAT TAKUUT MYNTIKELPOISUUDESTA TAI SOPIVUUDESTA TIETYYN TARKOITUKSEEN.</p> <p>Ellei muutoin paikallisissa laeissa säädetä, 3M-putoamisenestotuotteilla on yhden vuoden takuu valmistusvirheitä ja materiaalivirheitä koskien asennuspäivästä tai alkuperäisen käyttäjän ensimmäisestä käyttöpäivästä alkaen.</p> <p>RAJATTU KORVAUS: Kirjallisella 3M:lle lähetytyllä ilmoituksella 3M korjaa tai vaihtaa kaikki tuotteet, joissa on 3M:n määrittelemä valmistus- tai materiaalivirhe. 3M pidättää oikeuden vaatia tuotetta palautettavaksi tehtaalle takuuvaatimusten arvioimiseksi. Tämä takuu ei kata kulumisesta, tuotteen väärinkäytöstä, kuljetusvahingoista tai tuotteen epäonnistuneesta huollosta aiheutunutta vauriota tai muuta vauriota, johon 3M ei pysty vaikuttamaan. Tuotteen kunnosta ja takuuvaihtoehtoista päätöksen tekee ainoastaan 3M.</p> <p>Tämä takuu koskee vain alkuperäistä ostajaa, ja sitä sovelletaan ainoastaan 3M:n putoamisenestotuotteisiin. Ota yhteyttä paikalliseen 3M:n asiakaspalveluun saadaksesi apua.</p> <p>VASTUUNRAJOITUS: PAIKALLISTEN LAKIEN SALLIMISSA MÄÄRIN 3M EI OLE VASTUUSSA MISTÄÄN EPÄSUORASTA, SATTUMANVARAISESTA, ERITYISESTÄ TAI AIHEUTUNEESTA VAHINGOSTA, MUKAAN LUKIEN, MUTTA SIIHEN KUITENKAAN RAJOITTUMATTA, TUOTTOJEN MENETTÄMINEN, MILLÄÄN TAVALLA TUOTTEISIIN LIITTYEN OIKEUSTEORIASTA HUOLIMATTA.</p>	<p style="text-align: center;">GARANTIE PRODUIT INTERNATIONALE, RECOURS LIMITÉ ET LIMITATION DE LA RESPONSABILITÉ</p> <p>GARANTIE: LES DISPOSITIONS SUIVANTES SONT PRISES EN LIEU ET PLACE DE TOUTES LES GARANTIES OU CONDITIONS, EXPRESSES OU IMPLICITES, Y COMPRIS LES GARANTIES OU CONDITIONS IMPLICITES DE QUALITÉ MARCHANDE OU D'ADAPTATION À UN USAGE SPÉCIFIQUE.</p> <p>À moins d'un conflit avec une législation locale, les produits antichute de 3M sont garantis contre les défauts de fabrication en usine et de matériaux pendant une période d'un an à compter de la date d'installation ou de la première utilisation par le propriétaire initial.</p> <p>RECOURS LIMITÉ: Sur demande écrite à 3M, 3M s'engage à réparer ou remplacer tout produit considéré par 3M comme souffrant d'un défaut de fabrication en usine ou de matériaux. 3M se réserve le droit d'exiger que le produit lui soit retourné pour une évaluation de la réclamation au titre de la garantie. Cette garantie ne couvre pas les dommages du produit liés à l'usage, aux abus, à la mauvaise utilisation, aux dommages liés aux transports, au manque d'entretien du produit ou tout autre dommage indépendant du contrôle de 3M. 3M sera l'unique juge de la condition du produit et des options de la garantie.</p> <p>Cette garantie ne s'applique qu'au propriétaire initial et elle constitue l'unique garantie s'appliquant aux produits antichute de 3M. Veuillez contacter le service à la clientèle 3M de votre région pour obtenir de l'assistance.</p> <p>LIMITATION DE LA RESPONSABILITÉ: DANS LES MESURES PERMISES PAR LA LÉGISLATION LOCALE, 3M N'EST PAS RESPONSABLE POUR TOUT DOMMAGE INDIRECT, ACCESSOIRE, SPÉCIFIQUE OU CONSÉQUENT, Y COMPRIS, MAIS SANS S'Y LIMITER, LA PERTE DE PROFITS, LIÉE DE QUELQUE MANIÈRE QUE CE SOIT AUX PRODUITS, MALGRÉ LA THÉORIE JURIDIQUE REVENDIQUÉE.</p>
<p style="text-align: center;">GARANZIA GLOBALE SUL PRODOTTO, RIMEDIO LEGGITO E LIMITAZIONE DI RESPONSABILITÀ</p> <p>GARANZIA: LA SEGUENTE GARANZIA SOSTITUISCE TUTTE LE GARANZIE O CONDIZIONI, ESPRESSE O IMPLICITE, COMPRESSE LE GARANZIE O CONDIZIONI IMPLICITE DI COMMERCIALITÀ O IDONEITÀ PER UN PARTICOLARE SCOPO.</p> <p>Salvo ove diversamente specificato dalle leggi locali, i prodotti di protezione anticaduta 3M sono garantiti da difetti di fabbricazione e dei materiali per un periodo di un anno dalla data di installazione o di primo utilizzo da parte del proprietario originale.</p> <p>RIMEDIO LIMITATO: previa comunicazione scritta a 3M, 3M riparerà o sostituirà qualsiasi prodotto in cui 3M avrà individuato un difetto di fabbricazione o dei materiali. 3M si riserva il diritto di richiedere la restituzione del prodotto all'impianto per la valutazione della richiesta di risarcimento in garanzia. La presente garanzia non copre i danni al prodotto causati da usura, abuso, utilizzo errato, trasporto o mancata manutenzione del prodotto o altri danni avvenuti fuori dal controllo di 3M. 3M è la sola che potrà giudicare le condizioni del prodotto e le opzioni di garanzia.</p> <p>La presente garanzia è valida solo per l'acquirente originale ed è l'unica applicabile ai prodotti di protezione anticaduta 3M. Per assistenza, contattare il Servizio Clienti di 3M della propria area.</p> <p>LIMITAZIONE DI RESPONSABILITÀ: NELLA MISURA CONSENTITA DALLE LEGGI LOCALI, 3M NON RISPONDE DI EVENTUALI DANNI INDIRETTI, INCIDENTALI, SPECIALI O CONSEQUENZIALI COMPRESI, SENZA LIMITAZIONE, DANNI PER PERDITA DI PROFITTO, IN QUALSIASI MODO COLLEGATI AI PRODOTTI INDIPENDENTEMENTE DALLA TEORIA LEGALE ASSERITA.</p>	<p style="text-align: center;">WERELDWIJDE PRODUCTGARANTIE, BEPERKTE VERHAALSMOGELIJKHEID EN BEPERKING VAN AANSPRAKELIJKHEID</p> <p>GARANTIE: DE VOLGENDE BEPALING VERVANGT ALLE GARANTIES OF VOORWAARDEN, EXPLICIET OF IMPLICIET, INCLUSIEF DE IMPLICIETE GARANTIES OF VOORWAARDEN VAN VERKOOPBAARHEID OF GESCHIKTHEID VOOR EEN BEPAALD DOEL.</p> <p>Tenzij anders is bepaald door lokale wetgeving, zijn valbeschermingsproducten van 3M voorzien van een garantie op fabrieksfouten door fabricage- en materiaalgebreken gedurende een periode van één jaar na de datum van installatie of het eerste gebruik door de oorspronkelijke eigenaar.</p> <p>BEPERKTE VERHAALSMOGELIJKHEID: Na schriftelijke kennisgeving aan 3M zal 3M eender welk product repareren of vervangen waarvan 3M heeft vastgesteld dat het een fabrieksfout heeft door een fabricage- of materiaalgebrek. 3M behoudt zich het recht voor om te eisen dat het product naar zijn vestiging wordt getourneerd om garantieaanspraken te beoordelen. Deze garantie is niet van toepassing op productschade door slijtage, oneigenlijk gebruik, misbruik, transportschade, nalatigheid bij onderhoud van het product of andere schade waarover 3M geen controle heeft. 3M zal als enige oordelen over de toestand van het product en garantieopties.</p> <p>Deze garantie is alleen van toepassing op de oorspronkelijke koper en is de enige garantie die van toepassing is op valbeschermingsproducten van 3M. Neem contact op met de klantendienst van 3M voor uw regio als u assistentie wenst.</p> <p>BEPERKING VAN AANSPRAKELIJKHEID: VOOR ZOVER TOEGESTAAN DOOR LOKALE WETGEVING, IS 3M NIET AANSPRAKELIJK VOOR ENIGE INDIREKTE, INCIDENTELE, SPECIALE OF GEVOLGSCHADE, INCLUSIEF, MAAR NIET BEPERKT TOT, WINSTVERLIES, DIE OP ENIGE WIJZE VERBAND HOUDT MET DE PRODUCTEN, ONGEACHT DE RECHTSLEER DIE WORDT AANGEHAALD.</p>
<p style="text-align: center;">GLOBAL PRODUKTGARANTI, BEGRENSET AVHJELP OG BEGRÆNSNING AV ERSTATNINGSANSVAR</p> <p>GARANTI: DET FØLGENDE KOMMER I STEDET FOR ALLE GARANTIER ELLER VILKÅR, UDTRYKKELIGE ELLER UNDERFORSTÅTTE, INKLUDERT DE UNDERFORSTÅTTE GARANTIENE ELLER VILKÅRENE OM SALGBARHED ELLER EGNETHED FOR ET BESTEMT FORMÅL.</p> <p>Med mindre annet er bestemt av lokale lover, er 3Ms fallsikringsprodukter garantert mot fabriksjonsfeil i håndverksmessig utførelse og materialer for en periode på ett år fra installasjonsdatoen eller første bruk av den opprinnelige eieren.</p> <p>BEGRENSET AVHJELP: Ved skriftlig melding til 3M, vil 3M reparere eller erstatte ethvert produkt som av 3M fastslås å ha en fabriksjonsfeil i håndverksmessig utførelse eller materialer. 3M forbeholder seg retten til å kreve at produktet blir leveret tilbake til fabrikk for evaluering av garantikrav. Denne garantien dekker ikke produktskade grunnet slitasje, misbruk, skade i transit, unnlattelse av å vedlikeholde produktet eller annen skade utenfor 3Ms kontroll. 3M vil være den eneste til å bedømme produktvilkår og garantialternativer.</p> <p>Denne garantien gjelder kun den opprinnelige kjøperen og er den eneste garantien som er anvendelig for 3Ms fallsikringsprodukter. Venligst kontakt 3Ms kundeserviceavdeling i ditt område for hjelp.</p> <p>BEGRÆNSNING AV ERSTATNINGSANSVAR: I DEN UTSTREKNING DET ER TILLATT AV LOKALE LOVER, ER IKKE 3M ERSTATNINGSANSVARLIG FOR NOEN SOM HELST INDIREKTE, HENDELIGE, SPESIELLE ELLER FØLGEMESSIGE SKADER INKLUDERT, MEN IKKE BEGRENSET TIL TAB AV FORTJENESTE, PÅ NOEN SOM HELST MÅTE FORBUNDET MED PRODUKTENE, UAVHENGIG AV HVILKEN JURIDISK TEORI SOM PÅBEROPEES.</p>	<p style="text-align: center;">GLOBAL PRODUKTGARANTI, BEGRÄNSAD KOMPENSATION OCH BEGRÄNSAD ANSVARSSKYLDIGHET</p> <p>GARANTI: FÖLJANDE GÄLLER SOM ERSÄTTNING FÖR ALLA GARANTIER ELLER VILLKOR, UDTRYCKLIGA ELLER UNDERFÖRSTÄDDA, INKLUSIVE UNDERFÖRSTÄDDA GARANTIER ELLER VILLKOR FÖR SÄLJBARHET ELLER LÄMPLIGHET FÖR ETT VISST ÄNDAMÅL.</p> <p>Såvida inte annat stipuleras i lokala lagar, garanteras 3M:s fallskyddsprodukter mot fabriktionsfel avseende tillverkning och material under en period av ett år från datum för ursprunglig ägares installation eller första användning.</p> <p>BEGRÄNSAD KOMPENSATION: Efter skriftlig avisering till 3M, kommer 3M att reparera eller byta ut varje produkt, som av 3M fastställts vara behäftad med fabriktionsfel vad gäller tillverkning eller material. 3M förbehåller sig rätten att kräva att produkt returneras till företagens anläggning för utvärdering av garantianspråk. Denna garanti omfattar inte produktskada till följd av slitage, felaktig användning, misbruk, skada under transport, underlåtenhet att sköta produkten eller annan skada utom 3M:s kontroll. 3M är ensam bedömare av produktskick och garantialternativ.</p> <p>Den här garantin avser enbart den ursprungliga köparen och är den enda garanti som gäller för 3M:s fallskyddsprodukter. Kontakta 3M:s kundtjänst/avdelning i din region för assistans.</p> <p>BEGRÄNSNING AV ANSVARSSKYLDIGHET: I DEN OMFATTNING SOM TILLÄTTS AV LOKALA LAGAR, ANSVARAR 3M INTE FÖR NÅGRA INDIREKTA, OFÖRUTSÄDDA, SPECIELLA ELLER FÖLJDSKADOR, INKLUSIVE MEN INTE BEGRÄNSAT TILL FÖRLUST AV VINSTER, VILKA PÅ NÅGOT SÄTT HÄNFÖRTS TILL PRODUKTERNA, OAVSETT HÄVDAD RÄTTSLIG GRUND.</p>



Fall Protection

USA

3833 SALA Way
Red Wing, MN 55066-5005
Toll Free: 800.328.6146
Phone: 651.388.8282
Fax: 651.388.5065
3Mfallprotection@mmm.com

Brazil

Rodovia Anhanguera, km 110
Sumaré - SP
CEP: 13181-900
Brasil
Phone: 0800-013-2333
falecoma3m@mmm.com

Mexico

Av. Santa Fe No. 190
Col. Santa Fe, Ciudad de Mexico
CP 01219, Mexico
Phone: 01 800 120 3636
3msaludocupacional@mmm.com

Canada

260 Export Boulevard
Mississauga, ON L5S 1Y9
Phone: 905.795.9333
Toll-Free: 800.387.7484
Fax: 888.387.7484
3Mfallprotection-ca@mmm.com

EMEA (Europe, Middle East, Africa)

EMEA Headquarters:
Le Broc Center
Z.I. 1re Avenue - BP15
06511 Carros Le Broc Cedex
France
Phone: + 33 04 97 10 00 10
Fax: + 33 04 93 08 79 70
informationfallprotection@mmm.com

Australia & New Zealand

137 McCredie Road
Guildford
Sydney, NSW, 2161
Australia
Toll-Free : 1800 245 002 (AUS)
Toll-Free : 0800 212 505 (NZ)
3msafetyaucs@mmm.com

Asia

Singapore:
1 Yishun Avenue 7
Singapore 768923
Phone: +65-6450 8888
Fax: +65-6552 2113
TotalFallProtection@mmm.com

China:

38/F, Maxdo Center, 8 Xing Yi Rd
Shanghai 200336, P R China
Phone: +86 21 62753535
Fax: +86 21 52906521
3MFallProtection-CN@mmm.com

Korea:

3M Korea Ltd
20F, 82, Uisadang-daero,
Yeongdeungpo-gu, Seoul
Phone: +82-80-033-4114
Fax: +82-2-3771-4271
TotalFallProtection@mmm.com

Japan:

3M Japan Ltd
6-7-29, Kitashinagawa, Shinagawa-ku, Tokyo
Phone: +81-570-011-321
Fax: +81-3-6409-5818
psd.jp@mmm.com

WEBSITE:
3M.com/FallProtection



EU DECLARATION OF CONFORMITY:
3M.com/FallProtection/DOC