

GWK mobile workshop cranes



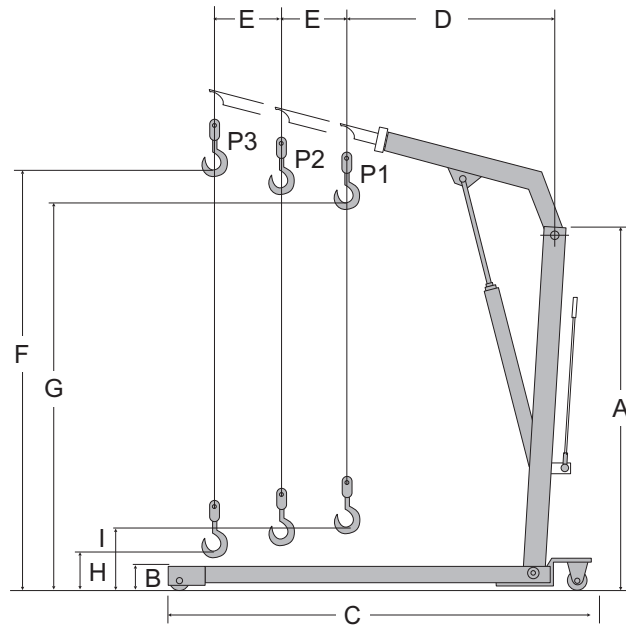
Robust construction, easy functioning. Specially for intensive working environments.

Properties

- Collapsible easy to transport.
- Robust construction.
- Hard chromed cylinder.
- Braked steering wheels can be rotated 360°.
- Rotating load hook (not under load).
- Lever adjustable in 3 positions.
- 125% proofed.
- Safety valve against overload.
- GWK-1000 has extra low legs.

Norm:

- EN12100-1/2, EN14985



| Type | WLL P1 (Kg) | WLL P2 (Kg) | WLL P3 (Kg) | Width (mm) | Weight (kg) | ProductId |
|----------|-------------|-------------|-------------|------------|-------------|-----------|
| GWK-500 | 500 | 425 | 350 | 970 | 75 | 4220015 |
| GWK-1000 | 1000 | 800 | 700 | 1120 | 115 | 4220017 |
| GWK-2000 | 2000 | 1700 | 1500 | 1165 | 165 | 4220019 |

| Type | A (mm) | B (mm) | C (mm) | D (mm) | E (mm) | F (mm) | G (mm) | H (mm) | I (mm) |
|----------|--------|--------|--------|--------|--------|--------|--------|--------|--------|
| GWK-500 | 1410 | 165 | 1510 | 895 | 102 | 2120 | 1960 | 130 | 340 |
| GWK-1000 | 1675 | 90 | 1630 | 1230 | 150 | 2445 | 2330 | - | 245 |
| GWK-2000 | 1690 | 205 | 1900 | 1290 | 150 | 2705 | 2505 | - | 230 |