

User's and maintenance manual
blocfor™ 20R / 30R ESD 150 kg and leg bracket
EN 1496 class B: 2017

Rescue lifting device fitted to a self-retracting fall arrester

Dispositif de sauvetage par élévation sur antichute à rappel automatique

Rettungshubgerät auf Höhensicherungsgerät mit automatischer Aufwicklung

Hijsmiddel voor reddingsdoeleinden op valstop met automatische retour

Dispositivo de salvamento mediante izado incorporado en un anticaídas retráctil

Dispositivo di salvataggio per sollevamento su anticaduta a richiamo automatico

Dispositivo de salvamento por elevação em ant queda retráctil

Διασωστική διάταξη ανύψωσης τοποθετημένη σε αυτο-συμπυκνώνόμενη διάταξη αναστολής πτώσης Redningsløftestyr festet til fallsikring med automatisk inntrekking

Lyftanordning för räddningsändamål kopplad till ett fallskydd med automatisk retur

Pelastusnostolaite, joka kytketään itsestään kelautuvaan putoamisenestolaitteeseen

Redningsløfteanordning monteret på en faldsikring med automatisk rappel

Ratunkowe urządzenie podnoszące łączone z automatycznym zwijaczem zatrzymującym upadki

Страховочное устройство втягивающего типа, оснащенное подъемным спасательным устройством

English Original manual **GB**

Français Traduction de la notice originale **FR**

Deutsch Übersetzung der Originalanleitung **DE**

Nederlands Vertaling van de oorspronkelijke handleiding **NL**

Español Traducción del manual original **ES**

Italiano Traduzione del manuale originale **IT**

Português Tradução do manual original **PT**

Ελληνικά Μετάφραση του πρωτότυπου εγχειριδίου **GR**

Norsk Oversettelse av originalanvisning **NO**

Svenska Översättning av originalbruksanvisningen **SE**

Suomi Alkuperäisen ohjeen käännös **FI**

Dansk Oversættelse af den originale manual **DK**

Polski Tłumaczenie oryginalnej instrukcji obsługi **PL**

Русский Перевод инструкции изготовителя **RU**

GB Additional instructions for the use of the rescue winch

FR Complément instructions d'emploi pour l'utilisation du treuil de sauvetage

DE Zusätzliche Bedienungsanleitung für die Benutzung der Rettungswinde

NL Aanvulling op de gebruiksaanwijzing voor het gebruik van reddingstakels

ES Instrucciones adicionales para el uso del cabestrante de rescate

IT Istruzioni d'uso supplementari per l'uso del verricello di salvataggio

PT Complemento às instruções de utilização para utilizar o guincho de salvamento

GR Πρόσθετες οδηγίες για τη χρήση του διασωστικού βαρούλκου

NO Ytterligere anvisninger for bruk av redningsvinsjen

SE Ytterligare instruktioner för användning av räddningsvinschen

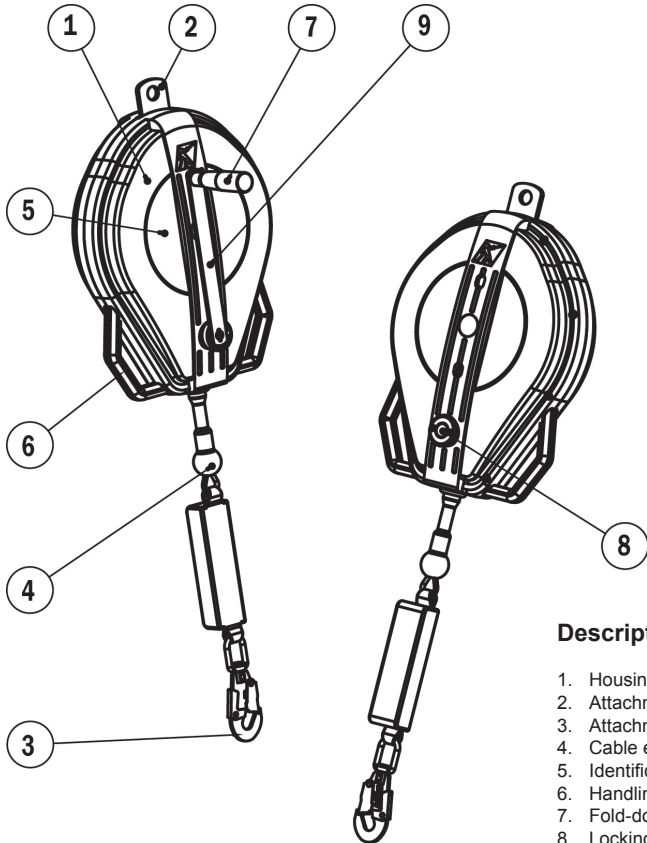
FI Lisäohjeet pelastusvinsin käyttöön

DK Yderligere instruktioner om brug af redningsspillet

PL Dodatkowa instrukcja obsługi wciągarki ratunkowej

RU Дополнительные инструкции по использованию спасательной рукоятки





Description:

- 1. Housing
- 2. Attachment point to structure
- 3. Attachment point to harness
- 4. Cable endpiece
- 5. Identification label
- 6. Handling handles
- 7. Fold-down handle
- 8. Locking/unlocking button
- 9. Winder

blocfor™ 20R/30R

Technical specifications

Standards: EN 360, EN 1496 class B

Model	blocfor™ 20R ESD 150 kg	blocfor™ 30R ESD 150 kg
Weight (kg)	9.34	16
Dimensions L x W x D (mm)	400 x 275 x 100	600 x 320 x 130
Length of the galvanised steel cable assembly \varnothing 4.9 mm (m)	18	30
Retracting force (N)	25	25
Fall-arresting force (kN)	5	5
Fall-arresting distance (mm)	800	800

blocfor™ is a range of CE-marked, self-retracting fall arresters which comply with the EC directive on PPE. The certificate of conformity issued by the APAVE certification body covers their use as per the requirements stated in standard EN 360:2002.

The certificate of conformity with regard to PPE issued by the APAVE certification body excludes applications associated with other uses, such as conformity with standard EN 1496:2017, rescue lifting systems.

1. General warnings specific to recovery devices

1. Before using a blocfor™ self-retracting fall arrester, and to ensure that the equipment is used safely and effectively, it is essential that the user reads and understands the information given in the manual supplied by TRACTEL SAS. This manual should be available at all times to all users. Additional copies can be supplied on request.
2. Before using this safety device, it is essential that users receive training on how to use it. Check the condition of associated equipment and make sure that there is adequate room for fall clearance.
3. The blocfor™ self-retracting fall arrester must only be used by trained and competent personnel, or under the supervision of trained and competent personnel.
4. Any blocfor™ self-retracting fall arrester which does not appear to be in good condition or which has already served to arrest a fall should be inspected, along with all its associated equipment, by TRACTEL SAS or by a qualified and competent technician who must provide written authorisation for the continued use of the system. It is advisable to carry out a visual inspection prior to each use.
5. The equipment should not undergo any modification or addition without prior written approval from TRACTEL SAS. The equipment must be transported and stored in its original packaging.
6. Any blocfor™ self-retracting fall arrester which has not been inspected during the previous 12 months or which has served to arrest a fall must not be used. It can only be used again after a new periodic inspection has been carried out by an approved and competent technician who can authorise its use in writing. In the absence of these inspections and authorisations, the blocfor™ self-retracting fall arrester shall be disassembled and destroyed.
7. The working load limit for the blocfor™ self-arresting fall-arrester is 150 kg.
8. If the mass of the operator plus the mass of his/her equipment and tools is between 100 kg and 150 kg, it is crucial to ensure that this total mass (operator + equipment + tools) does not exceed the working load limit of any individual component in the fall arrest system.
9. This equipment is suitable for use on an open air site and within a temperature range of -35°C to +60°C. Avoid any contact with sharp edges, rough surfaces and chemical substances.
10. If you are responsible for assigning the equipment to an employee or person in a similar capacity, ensure that you comply with the applicable health and safety at work regulations.
11. The operator must be physically and mentally fit when using this equipment. In case of doubt, check with his/her doctor or with the occupational physician. Pregnant women are prohibited from using the equipment.
12. The equipment must not be used beyond its limits or in any situation other than that for which it has been designed: see "4. Functions and description".
13. It is advisable to personally allocate a blocfor™ self-retracting fall arrester to each operator, especially if this operator is an employee.
14. Before using an EN 363 fall-arresting system, the user must ensure that each of its components is in good working order: safety system, locking system. When setting up, it is essential to ensure that the safety functions are not degraded in any way.
15. For a fall-arrest system, it is essential to check, prior to each use, the free space under the operator at his/her workplace, so that if the person falls there is no risk of them hitting the ground or any obstacle in their path (before the fall-arrest system activates).
16. A fall-arrest harness is the only body-gripping device that is permitted for use in a fall-arrest system.
17. It is essential for the safety of the operator that the device or anchor point is correctly positioned and that work is carried out so as to minimise the risk of falls from height.
18. For the safety of the operator, if the equipment is sold outside the primary country of intended sale, the dealer shall supply an instruction manual and instructions regarding maintenance, periodic inspections and repair work, all of which shall be written in the language of the country in which the equipment shall be used.
19. The working load limit is 150 kg for the blocfor™ 20R/30R self-retracting fall arrester, irrespective of whether it is used as a fall arrester (EN 360) or for rescue lifting (EN 1496 class B).
20. A rescue plan must be drawn up and in place.

 **NOTE**

For any special applications, please contact TRACTEL® S.A.S.

2. Definitions and pictograms

2.1. Definitions

"User": Person or department responsible for the management and safe use of the product described in the manual.

"Technician": Qualified person tasked with performing the maintenance operations described in and authorised by the manual. The technician is competent and familiar with the product.

"Operator": A person capable of using the product in the way it is intended to be used.

"PPE": Personal protective equipment providing protection against falls from height.

"Connector": A connecting element between components of a fall-arrest system. It is EN 362 compliant.

"Fall-arrest harness": A body-gripping harness designed to halt falls. It consists of straps and buckles. It features fall-prevention attachment points marked with an A if they can be used alone, or marked with A/2 if they are to be used in combination with another A/2 point. The harness is EN 361 compliant.

"Self-retracting fall arrester": A fall arrester with an automatic locking function and an automatic tensioning and retraction system on the retractable lanyard.

"Retractable lanyard": A lifeline element which connects to a self-retracting fall arrester. It may take the form of metal cable, webbing or synthetic fibres, depending on the type of device.

"Working load limit": Maximum weight of the operator in appropriate workwear, equipped with the correct PPE, tools and the parts needed to perform the scheduled task.

"Fall-arrest system": An assembly composed of the following items:

- Fall-arrest harness.
- Self-retracting fall-arrester, or shock absorber, or mobile fall-prevention device with rigid belaying supports, or mobile fall-prevention device with flexible belaying supports.
- Anchoring.
- Linking component.


"Fall-arrest system component": Generic term defining one of the following:


- Fall-arrest harness.
- Self-retracting fall-arrester, or energy shock-absorber, or mobile fall-prevention device with rigid belaying supports, or mobile fall-prevention device with flexible belaying supports.
- Anchoring.
- Linking component.


"Rescue lifting device EN 1496 class B": component or sub-assembly of a rescue system used by a rescuer to winch a suspended person from a lower to a higher place and featuring an additional hand-operated lowering function for lowering a person over a distance limited to 2 m.

"Rescue equipment": individual system for protecting against falls by which an individual can self-rescue or save other individuals, such that any drop is prevented.

2.2. Pictograms

 **DANGER**: Placed at the beginning of the line, refers to instructions whose purpose is to avoid injury to persons, including death, serious or minor injuries, and damage to the environment.

 **IMPORTANT**: Placed at the beginning of a line, refers to instructions whose purpose is to prevent an equipment failure from occurring or to avoid equipment being damaged in a context in which the life or health of the operator or of others is not directly endangered, and/or in which damage to the environment is unlikely.

 **NOTE** Placed at the beginning of a line, refers to instructions whose purpose is to ensure the effectiveness or the suitability of an installation, of how it is used or of maintenance operations.

3. Conditions of use

Checks before use:

- Check the condition of the entire length of the lanyard:
 - The synthetic cable or the webbing must not show any signs of abrasion, fraying, burns or cuts.
 - The metal cable must not show any signs of kinks, abrasion, corrosion or broken wires.
- Check that the lanyard locking device is activated when the end of the lanyard is pulled sharply and that it winds up and unwinds normally over its entire length.
- Check the condition of the housing (no deformation, screws in place, etc.).

- Check the condition and operation of the connectors: no visible deformation and that it is possible to open, close and lock them.
- Check the condition of the components associated with the harness and with the connectors. Refer to the manuals specific to each product.
- Check the complete fall-arrest system.
- Check that the leg brackets are securely attached to the legs of the Tracpode rescue tripod (refer to § 4.2.2)
- Check that the equipment is set to self-retracting fall-arresting mode: i.e. with the recovery device not engaged.
- Check that the device which locks the lanyard is activated when the end of the lanyard is pulled sharply, and that it winds up and unwinds normally over its entire length.
- Check that the recovery function engages and disengages correctly.
- Check that the device which locks the lanyard can support the load connected to the end of the lanyard and that it can be wound up and unwound normally over its entire length when the winch's winder is turned.

4. Functions and description

4.1. blocfor™ 20R/30R 150 kg

- The blocfor™ 20R/30R 150 kg self-retracting fall arrester is an EN 360-compliant, self-retracting fall arrester: refer to § 4 of the attached manual for the blocfor™ ESD - EN 360.
- It is fitted with a rescue device for raising or lowering the suspended person (EN 1496 class B): this recovery function lets a rescuer raise and/or lower the suspended person after a fall. It may be used:
 - vertically when secured to an anchor point.
 - in an inclined position when secured to a leg bracket fitted to a Tracpode.
- The rescue function is disengaged when the blocfor™ is being used in fall-arresting mode.
- In the event of a fall, the blocfor's mechanism is locked to stop any movement. To rescue the suspended person (by raising or lowering), engage the recovery mechanism by pushing the locking red button and then turning the winder.
- The blocfor™ 20R/30R 150 kg self-retracting fall arrester has two handles on the housing for handling the unit. They can also be used when performing a rescue operation - hold one of the handling handles with one hand and turn the winder with the other.
- A specially-designed leg bracket is used to secure the blocfor™ 20R/30R 150 kg self-retracting fall arrester to one of the legs of the Tracpode rescue tripod.
- When lowering a suspended person, the rescue function is limited to a maximum distance of 2 metres. To lower over a longer distance, use a descender device which complies with EN 341.

4.2. The leg bracket

4.2.1 Fitting the blocfor™ 20R/30R to the leg bracket

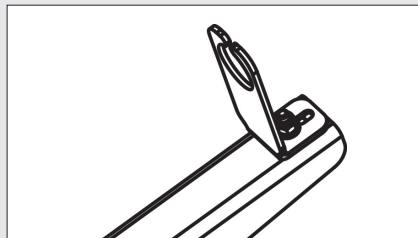


The blocfor™ 20R/30R 150 kg self-retracting fall arrester must not be fitted to any bracket other than the Tractel Tracpode leg bracket.

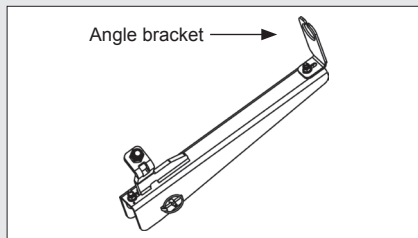
Preparing the leg bracket

Position the angle bracket at the end of the leg bracket at the correct position for the type of blocfor™ being used: 20R or 30R.

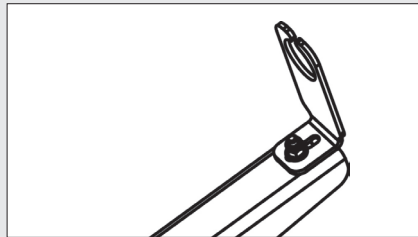
Position of the angle bracket to receive a B20R



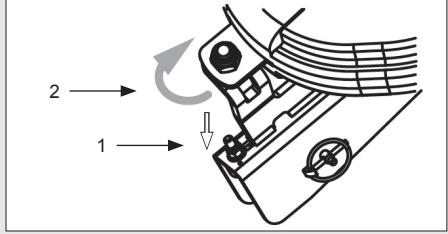
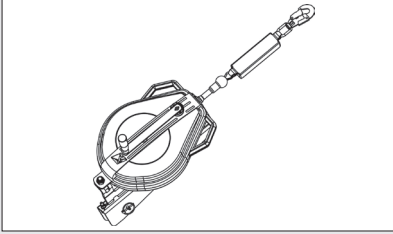
Complete leg bracket assembly



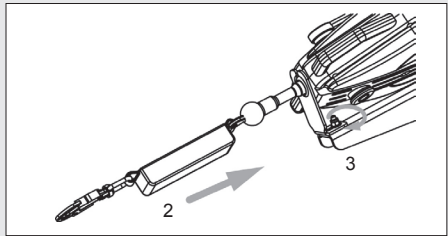
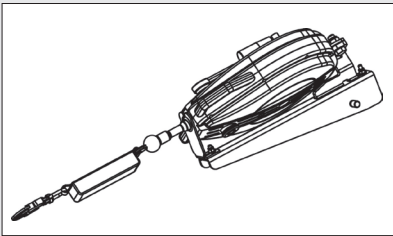
Position of the angle bracket to receive a B30R



1. Position the blocfor™ 20R/30R 150 kg so that it fits over the bolt at the top of the leg bracket (1) and secure it by fully tightening the lock nut (2)

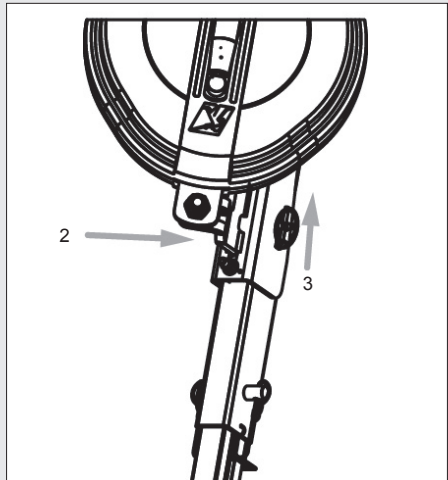
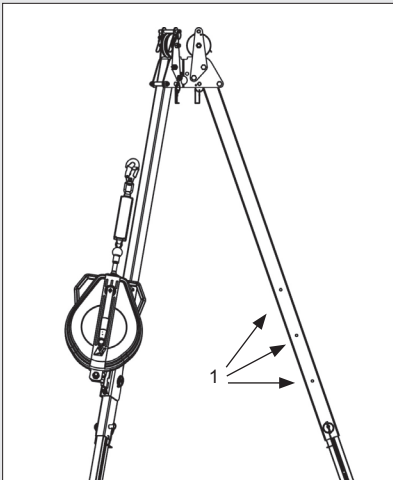


2. With its screw slightly loose, push the angle bracket up against the blocfor™ unit to centralise the position of the cable guide.
3. Tighten the angle bracket's nut



4.2.2 Mounting the blocfor™ 20R/30R 150 kg and leg bracket assembly onto the Tracpode

1. Remove the locking pin and then position the blocfor™ 20R/30R 150 kg at the required height on the Tracpode (there are 3 possible positions) (1). For this operation refer to the manual specific to the Tracpode.
2. Push the locking pin through the holes in the leg bracket and through the hole in the Tracpode.
3. Secure the locking pin using the spring clip



4.2.3 Mounting the blocfor™ 20R/30R 150 kg onto a structure / an anchor point.

- The anchor point for the blocfor™ 20R/30R 150 kg must always be higher than or at the same level as the operator's feet, and never underneath.
- Use an EN 362 connector to connect the blocfor™ 20R/30R self-retracting fall arrester to the anchor point or to a structure whose load bearing capacity must not be less than 12 kN.

5. Operating principle

Performing a rescue operation with a blocfor™ R



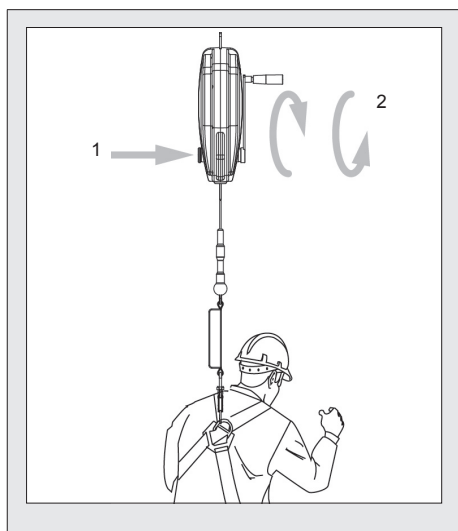
DANGER

A second person must be available nearby to perform a rescue operation if required.

The rescue operations required must be studied and assessed in advance to define the human resources and equipment necessary to rescue a suspended person in less than 15 minutes. Failure to meet this time limit places the fallen person in danger.

5.1. Engaging the recovery (rescue) function

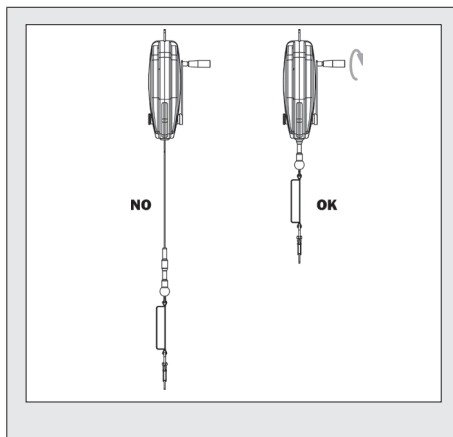
- (1) Press on the red locking button to engage the recovery function.
- (2) Pull out then rotate the winder to rescue the operator:
 - rotate the winder clockwise to raise the operator,
 - rotate the winder anti-clockwise to lower the operator.



5.2. Returning to fall-arresting mode

5.2.1 Winding up the cable into the device

Once the rescue has been completed, wind up the cable fully into the device by rotating the winder clockwise.

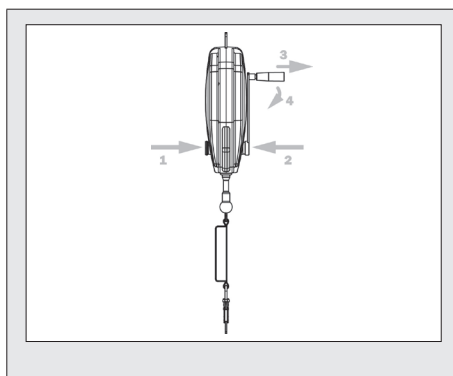


DANGER

Do not disengage the device's recovery function until the cable has been fully wound up into its housing, since otherwise the cable may retract by itself at a dangerously high speed.

5.2.2 Disengaging recovery mode

- To disengage the winch mechanism, press simultaneously on the red button (1) and on the spindle of the winder (2).
- Ensure that the winder is oriented vertically, with its handle at the top, when performing this operation.
- Pull out the handle (3) before folding it down (4).



**DANGER****Lifting operations with the blocfor™ R**

The blocfor™ R must not be used for any lifting operations other than rescue lifting.

The winching system is designed exclusively for rescue operations.

For the entire duration of the rescue, direct or indirect visual contact, or another means of communication, must be maintained between the rescuer and the others persons involved in the rescue.

For rescue operations, the use of a comfortable EN 813 harness (such as Promast™, Transport, Rescue), or a harness fitted with EN 1497 rescue straps, is recommended.

6. Prohibited use

The following are strictly prohibited:

- installing or using a blocfor™ self-retracting fall arrester without being authorised, trained and recognised to be competent in the use of the device, or for anyone not meeting these requirements, without being supervised by someone who is authorised, trained and recognised to be competent in the use of the device.
- using a blocfor™ self-retracting fall arrester if any of its markings are not legible.
- installing or using a blocfor™ self-retracting fall arrester without first having carried out the preliminary checks.
- using a blocfor™ self-retracting fall arrester which has not been the subject of a periodic inspection in the last 12 months, performed by a technician who authorised its continued use in writing.
- connecting a blocfor™ self-retracting fall arrester to a point which has not been the subject of a periodic inspection in the past 12 months performed by a technician who authorised its continued use in writing.
- Using a blocfor™ self-retracting fall arrester for any application other than for the fall arrest of persons
- fixing a blocfor™ self-retracting fall arrester to its anchor point using any other means or equipment.
- using a blocfor™ self-retracting fall arrester in any way that contradicts the information given in section "15. Service life".
- using a blocfor™ self-retracting fall arrester as a fall protection system for more than 1 person.
- using a blocfor™ self-retracting fall arrester to support a load of between 100 kg and 150 kg (total mass of the operator, equipment and tools) if any component of the fall-arrest system has a lower working load limit.
- using a blocfor™ self-retracting fall arrester if it has been used to arrest a fall.
- using a blocfor™ self-retracting fall arrester as a means of suspending or maintaining the position of a person at a place of work.

- using a blocfor™ self-retracting fall arrester in a highly corrosive or explosive atmosphere.
- using a blocfor™ self-retracting fall arrester outside the temperature range specified in this manual.
- using a blocfor™ self-retracting fall arrester if the clearance below the person is not sufficient in the event of a fall.
- using a blocfor™ self-retracting fall arrester if any of the users are not in good physical condition.
- using a blocfor™ self-retracting fall arrester if you are pregnant.
- using a blocfor™ self-retracting fall arrester if the safety function provided by any of the associated items is affected by the safety function of another item or interferes with it.
- releasing the lanyard of a blocfor™ self-retracting fall arrester when it has not been completely wound up (*figure 2.a*).
- using a blocfor™ self-retracting fall arrester to support the weight of an item of equipment.
- anchoring a blocfor™ self-retracting fall arrester to a structural anchor point whose load bearing capacity is less than 12 kN, or which may be assumed to be less than 12 kN.
- using a blocfor™ self-retracting fall arrester with a vertical angle of more than 20° (*figure 1.c*).
- using the lanyard of a blocfor™ self-retracting fall arrester as a sling.
- impairing the alignment of a blocfor™ self-retracting fall arrester with its lanyard.
- impairing the smooth unwinding and winding up of the lanyard of a blocfor™ self-retracting fall arrester.
- performing any repair or maintenance operations on a blocfor™ self-retracting fall arrester without first having been trained and qualified, in writing, by TRACTEL® (*figure 2.b*).
- using a blocfor™ self-retracting fall arrester if it is not complete, if it has previously been dismantled and reassembled or if components have been replaced by a person not unauthorised by TRACTEL®.
- the use of a blocfor™ 20R/30R 150 kg self-retracting fall arrester by a person whose total mass, including equipment and tools, exceeds 150 kg.
- lifting a load using a blocfor™ 20R/30R self-retracting fall arrester.
- creating a slack section of cable when rescuing by lowering the person.

7. Installation

- Wherever possible, the structural anchor point should be higher than the operator. The load bearing capacity of the structural anchor point must not be less than 12 kN.
- The device must be connected to the anchor point or to the structure using an EN 362 connector or using the screw on the Tractel leg bracket designed specifically for the blocfor™ 20 and 30 R
- When connecting the fall-arrest system to the fall-arrest harness, refer to the instructions specific to

the harness and to the fall-arrest system in order to use the correct anchor point and the correct securing method.

8. Components and materials

- Cables: galvanised steel
- Shock absorber: PA + PES.
- Housing: PA/ABS or aluminium for the 30 m models.
- Anchoring components: galvanised steel

9. Associated equipment

In accordance with standard EN 363, the blocfor™ 20R/30R 150 kg self-retracting fall arrester is one component of a fall-arresting system, which must consist of:

- An anchor point (EN 795).
- An end connector (EN 362).
- A fall-arrest system (EN 360) with a rescue lifting system (EN 1496).
- A connector (EN 362).
- A fall-arrest harness (EN 361), (rear (dorsal) attachment point recommended).

All other items of associated equipment are prohibited.

10. Maintenance and storage

- If a blocfor™ self-retracting fall arrester is dirty, it must be washed with clean, cold water, if necessary using a detergent for delicate fabrics, and using a synthetic brush.
- If a blocfor™ self-retracting fall arrester becomes wet during use or as a result of washing, it must be left to dry naturally away from direct sunlight and from any source of heat.
- Before transport and storage, wrap the equipment in packaging that will keep out moisture and protect against any damage (direct heat sources, chemicals, UV, etc.).
- Check that the rescue system can be engaged/disengaged correctly.
- Check that the cable is not damaged at any point along its length.
- If the device is contaminated, contact Tractel® or one of its dealers.

11. Equipment compliance

TRACTEL SAS RD 619 – Saint-Hilaire-sous-Romilly – F-10102 Romilly-sur-Seine France hereby declares that the safety equipment described in this manual is identical to the equipment that was inspected for compliance with EN 1496(2017) by APAVE SUDEUROPE SAS – CS 60193 – 13322 Marseille – France

12. Marking

Explanation of product name:

B X R ESD Z

B: stands for the name of the device, blocfor™

X: the type of blocfor™ device in the range (20 R / 30 R)

R: Recovery model (rescue lifting device, EN 1496)

ESD: a term generic to the range

Z: Type of connector on retractable lanyard end

Example:

B20 R ESD M47

A blocfor™ self-retracting fall arrester, recovery model, belonging to the ESD range, type 20, fitted with an M47 connector on the retractable lanyard side.

The label on each blocfor™ self-retracting fall arrester indicates:

- a. The trade name: TRACTEL®.
- b. The name of the product,
- c. The reference standard followed by the year of application,
- d. The product reference,
- e. The CE logo followed by the number 0082, the identification number of the approved body responsible for production monitoring,
- f. Year and week of manufacture.
- g. The serial number,
- h. A pictogram indicating that the manual must be read before using the device,
- w. Working load limit.
- aa. Date of the next periodic inspection.
- ab. Minimum load bearing capacity of the anchor point.

13. Periodic inspection and repair

An annual periodic inspection is required, but depending on the frequency of use, environmental conditions and regulations of the company or the country of use, periodic inspections may be more frequent.

Periodic inspections should be carried out by an authorised and competent technician, in compliance with the manufacturer's instructions transcribed in the file "TRACTEL®PPE inspection instructions".

Confirmation of the legibility of the product markings should be an integral part of the periodic inspection.

On completion of the periodic inspection, the return to service must be indicated in writing by the authorised and competent technician who carried out the inspection. This return to service must be recorded on

the inspection sheet in the middle of this manual. This inspection record should be retained throughout the product's service life, up until it is recycled.

GB

After arresting a fall, this product must undergo a periodic inspection as described in the current article. The product's textile components must be changed, even though they may not display any visible deterioration.

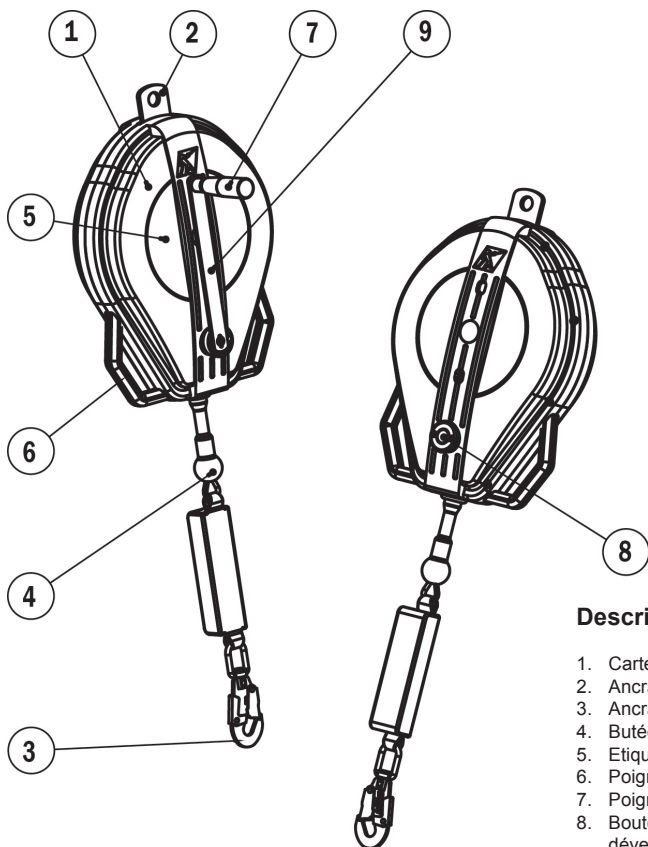
14. Service life

TRACTEL® textile PPE equipment such as harnesses, lanyards, ropes and shock absorbers, TRACTEL® mechanical PPE such as stopcable™ and stopfor™ fall-arresters, blocfor™ self-retracting fall arresters and TRACTEL® lifelines can be used on condition that, from their date of manufacture onwards, they are:

- used normally, in accordance with the recommendations given in this manual.
- Inspected periodically at least once a year by an approved and competent technician. On completion of this periodic inspection, it must be certified in writing that the PPE is fit to be returned to service.
- stored and transported in strict compliance with the conditions indicated in this manual.

15. Disposal

When disposing of the product, all components must be recycled by firstly sorting them into metallic and synthetic materials. These materials must be recycled by specialist organisations. During disposal, dismantling in order to separate the components should be undertaken by a suitably trained person.



Description :

1. Carter
2. Ancre sur structure
3. Ancre sur harnais
4. Butée de câble
5. Etiquette signalétique
6. Poignée de manutention
7. Poignée escamotable
8. Bouton de verrouillage / déverrouillage
9. Manivelle

blocfor™ 20R/30R

Spécifications techniques

Normes : EN 360, EN 1496 classe B

Modèle	blocfor™ 20R ESD 150 kg	blocfor™ 30R ESD 150 kg
Poids (kg)	9,34	16
Dimensions L x l x H (mm)	400 x 275 x 100	600 x 320 x 130
Longueur appareil câble acier galvanisé Ø 4.9 mm (m)	18 m	30 m
Force de rappel (N)	25	25
Force de freinage (kN)	5	5
Distance de freinage (mm)	800	800

Les blocfor™ sont des antichutes à rappel automatique CE qui sont couvert par la directive EPI. Le certificat de conformité délivré par l'APAVE couvre son utilisation conformément aux exigences de la norme EN 360:2002.

Le certificat de conformité EPI délivré par l'APAVE exclue les applications associées aux autres utilisations telles que la conformité à la norme EN1496:2017, système de sauvetage par élévation.

1. Consignes prioritaires spécifiques aux appareils récupérateur

1. Avant d'utiliser un antichute à rappel automatique blocfor™, il est indispensable pour la sécurité d'emploi du matériel et son efficacité que l'utilisateur lise et comprenne les informations dans la notice fournie par TRACTEL SAS. Cette notice doit être conservée à disposition de tout utilisateur. Des exemplaires supplémentaires peuvent être fournis sur demande.
2. Avant d'utiliser ce matériel de sécurité il est indispensable d'avoir reçu une formation à son emploi. Vérifier l'état des équipements associés et assurez-vous que le tirant d'air est suffisant.
3. L'antichute à rappel automatique blocfor™ ne peut être utilisée que par une seule personne formée et compétente ou par un opérateur sous la surveillance d'une telle personne.
4. Si un antichute à rappel automatique blocfor™ n'est pas en bon état apparent ou s'il a servi à l'arrêt d'une chute, l'ensemble de l'équipement doit être vérifié par TRACTEL SAS ou par un technicien habilité et compétent qui doit autoriser par écrit la réutilisation du système. Un contrôle visuel avant chaque utilisation est recommandé.
5. Toute modification ou adjonction à l'équipement ne peut se faire sans l'accord préalable écrit de TRACTEL SAS. L'équipement doit être transporté et stocké dans son emballage d'origine.
6. Tout antichute à rappel automatique blocfor™ n'ayant pas fait l'objet d'un examen périodique au cours des douze derniers mois ou ayant arrêté une chute, ne doit pas être utilisé. Il ne pourra être utilisé de nouveau qu'après un nouvel examen périodique réalisé par un technicien habilité et compétent qui autorisera par écrit son utilisation. À défaut de ces examens et autorisation, l'antichute à rappel automatique blocfor™ sera réformé et détruit.
7. La charge maximale d'utilisation est de 150 kg pour l'antichute à rappel automatique blocfor™.
8. Si la masse de l'opérateur augmentée de la masse de son équipement et de son outillage est comprise entre 100 kg et 150 kg, il est impératif de s'assurer que cette masse totale (opérateur + équipement + outillage) n'exécède pas la charge maximale d'utilisation de chacun des éléments constituant le système d'arrêt des chutes.
9. Cet équipement convient pour une utilisation sur chantier à l'air libre et pour une plage de température comprise entre -35°C et +60°C. Éviter tout contact avec des arêtes vives, des surfaces abrasives, des produits chimiques.
10. Si vous devez confier le matériel à un personnel salarié ou assimilé, conformez-vous à la réglementation du travail applicable.
11. L'opérateur doit être en pleine forme physique et psychologique lors de l'utilisation de cet équipement. En cas de doute, consulter son médecin ou le médecin du travail. Interdit aux femmes enceintes.
12. L'équipement ne doit pas être utilisé au-delà de ses limites, ou dans toute autre situation que celle pour laquelle il est prévu : cf. « 4. Fonctions et description ».
13. Il est recommandé d'attribuer personnellement l'antichute à rappel automatique blocfor™ à chaque opérateur, notamment s'il s'agit de personnel salarié.
14. Avant l'utilisation d'un système d'arrêt des chutes EN 363, l'utilisateur doit s'assurer que chacun des composants est en bon état de fonctionnement : système de sécurité, verrouillage. Lors de la mise en place, il ne doit pas y avoir de dégradation des fonctions de sécurité.
15. Dans un système d'arrêt des chutes, il est essentiel de vérifier l'espace libre sous l'opérateur sur le lieu de travail avant chaque utilisation, de manière qu'en cas de chute il n'y ait pas de risque de collision avec le sol ni présence d'un obstacle sur la trajectoire de la chute.
16. Un harnais d'antichute est le seul dispositif de préhension du corps qu'il est permis d'utiliser dans un système d'arrêt des chutes.
17. Il est essentiel pour la sécurité de l'opérateur que le dispositif ou le point d'ancrage soit correctement positionné et que le travail soit effectué de manière à réduire au minimum le risque de chutes ainsi que sa hauteur.
18. Pour la sécurité de l'opérateur, si le produit est revendu hors du premier pays de destination, le revendeur doit fournir : un mode d'emploi, des instructions pour l'entretien, pour les examens périodiques et les réparations, rédigés dans la langue du pays d'utilisation du produit.
19. La charge maximale d'utilisation est de 150 kg pour l'antichute à rappel automatique blocfor™ 20R/30R que ce soit en utilisation antichute (EN 360) ou en utilisation sauvetage par élévation (EN 1496 classe B).
20. Qu'un plan de sauvetage a été mis en place.



NOTE

Pour toute applications spéciales, n'hésitez pas à vous adresser à TRACTEL® S.A.S.

2. Définitions et pictogrammes

2.1. Définitions

« **Utilisateur** » : Personne ou service responsable de la gestion et de la sécurité d'utilisation du produit décrit dans le manuel.

« **Technicien** » : Personne qualifiée, en charge des opérations de maintenance décrites et permises à l'utilisateur par le manuel, qui est compétente et familière avec le produit.

« **Opérateur** » : Personne opérant dans l'utilisation du produit conformément à la destination de celui-ci.

« **EPI** » : Équipements de protection individuelle contre les chutes de hauteur.

« **Connecteur** » : Élément de connexion entre composants d'un système d'arrêt des chutes. Il est conforme à la norme EN 362.

« **Harnais d'antichute** » : Dispositif de préhension du corps destiné à arrêter les chutes. Il est constitué de sangles et bouclerie. Il comporte des points d'accrochage antichute marqués d'un A s'ils peuvent être utilisés seuls, ou marqués d'un A/2 s'ils doivent être utilisés en combinaison avec un autre point A/2. Il est conforme à la norme EN 361.

« **Antichute à rappel automatique** » : Antichute avec une fonction de blocage automatique et un système automatique de tension et de rappel pour la longe rétractable.

« **Longe rétractable** » : Élément de connexion d'un antichute à rappel automatique. Elle peut être en câble métallique, en sangle ou en fibres synthétiques selon le type d'appareil.

« **Charge maximale d'utilisation** » : Masse maximale de l'opérateur habillé, équipé de ses EPI, de sa tenue de travail, de son outillage et des composants dont il a besoin pour faire son intervention.

« **Système d'arrêt des chutes** » : Ensemble composé des éléments suivants :

- Harnais d'antichute.
- Antichute à rappel automatique ou absorbeur d'énergie ou antichute mobile sur support d'assurage rigide ou antichute mobile sur support d'assurage flexible.
- Ancrage.
- Élément de liaison.

« **Élément du système d'arrêt des chutes** » : Terme générique définissant l'un des éléments suivants :

- Harnais d'antichute.
- Antichute à rappel automatique ou absorbeur d'énergie ou antichute mobile sur support d'assurage rigide ou antichute mobile sur support d'assurage flexible.
- Ancrage.
- Élément de liaison.

« **Dispositif de sauvetage par élévation EN 1496 classe B** » : composant ou sous ensemble d'un équipement de sauvetage permettant le treuillage d'un opérateur avec l'aide d'un sauveteur d'un point bas à un point haut et doté d'une fonction supplémentaire de descente à commande manuelle destinée à descendre l'opérateur sur une distance limitée à 2 m.

« **Équipement de sauvetage** » : système de protection individuelle contre les chutes grâce auquel une personne peut se sauver elle-même ou sauver d'autres personnes, de sorte que toute chute soit empêchée.

2.2. Pictogrammes



DANGER : Placé en début de ligne, désigne des instructions destinées à éviter des dommages aux personnes, notamment les blessures mortelles, graves ou légères, ainsi que les dommages à l'environnement.



IMPORTANT : Placé en début de ligne, désigne des instructions destinées à éviter une défaillance ou un dommage des équipements, mais ne mettant pas directement en danger la vie ou la santé de l'opérateur ou celles d'autres personnes, et/ou n'étant pas susceptible de causer de dommage à l'environnement.



NOTE : Placé en début de ligne, désigne des instructions destinées à assurer l'efficacité ou la commodité d'une installation, d'une utilisation ou d'une opération de maintenance.

3. Conditions d'utilisation

Vérifications avant utilisation :

- Vérifier l'état de la longe sur toute sa longueur :
 - Le câble synthétique ou la sangle ne doivent pas présenter de traces d'abrasion, d'effilochage, de brûlures, de coupures.
 - Le câble métallique ne doit pas présenter de traces de pliure, d'abrasion, de corrosion, de fils coupés.
- Vérifier que la longe se bloque lorsque l'on tire sèchement sur son extrémité et qu'elle s'enroule et se déroule normalement sur toute sa longueur.

- Vérifier l'état du carter (pas de déformation, présence des vis...).
- Vérifier l'état et le fonctionnement des connecteurs : pas de déformation visible, ouverture, fermeture et verrouillage possibles.
- Vérifier l'état des composants associés harnais et connecteurs. Se reporter aux notices spécifiques de chacun des produits.
- Vérifier le système d'arrêt des chutes complet.
- Vérifier que la/les consoles sont bien verrouillées sur les jambes du trapézoïde (voir § 4.2.2)
- Vérifier que l'équipement est bien en fonction antichute à rappel automatique : récupérateur non embrayé avant utilisation.
- Vérifier que la longe se bloque lorsque l'on tire sèchement sur son extrémité et qu'elle s'enroule et se déroule normalement sur toute sa longueur.
- Vérifier que la fonction récupérateur s'embraye et se débraye bien.
- Vérifier que la longe est bloquée par la charge connectée à son extrémité et qu'elle s'enroule et se déroule normalement sur toute sa longueur en actionnant la manivelle du treuil.

4. Fonctions et description

4.1. Le blocfor™ 20R/30R 150 kg

- L'antichute à rappel automatique blocfor™ 20R/30R 150 kg est un antichute à rappel automatique, conforme à la norme EN 360 : voir § 4 de la notice blocfor™ ESD - EN 360.
- Il est équipé d'un dispositif de sauvetage par élévation vers le haut ou vers le bas (EN 1496 classe B) : fonction récupérateur permettant au sauveteur de monter et/ou de descendre l'opérateur après une chute. Il peut être utilisé
 - à la verticale lorsqu'il est installé sur un point d'ancrage.
 - incliné lorsqu'il est installé sur la console de trapézoïde.
- Ce dispositif est débrayé lorsque le blocfor™ est en utilisation antichute.
- Après une chute, le mécanisme du blocfor™ est bloqué. Pour évacuer l'opérateur vers le haut ou vers le bas, embrayer le mécanisme de récupération en poussant le bouton de verrouillage puis actionner la manivelle.
- L'antichute à rappel automatique blocfor™ 20R/30R 150 kg est muni de deux poignées facilitant sa manutention et son utilisation en sauvetage par élévation en tenant d'une main la poignée de l'équipement et de l'autre la manivelle.
- Une console d'ancrage spécifique permet de fixer l'antichute à rappel automatique blocfor™ 20R/30R 150 kg sur l'une des jambes du trapézoïde.
- La fonction sauvetage vers le bas est limitée à une descente de 2 m Maxi. Au-delà de cette hauteur, utiliser un descendeur conforme à l'EN 341.

4.2. La console

4.2.1 Installation du blocfor™ 20R/30R sur la console

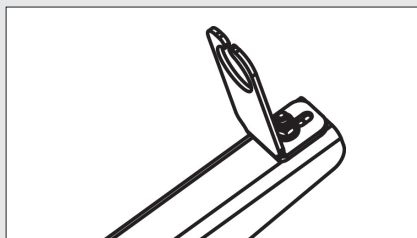


Il est interdit d'installer un antichute à rappel automatique blocfor™ 20R/30R 150 kg sur une console autre que celle de Tractel.

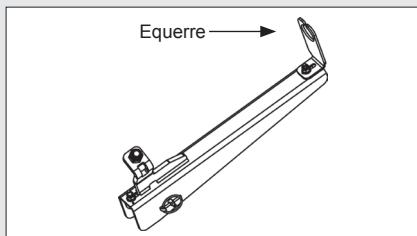
Préparation de la console d'ancrage

Adapter la position de l'équerre au type de blocfor™ : 20R ou 30R.

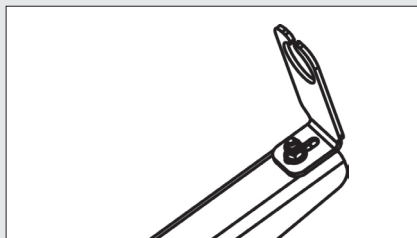
Position de l'équerre pour recevoir un B20R



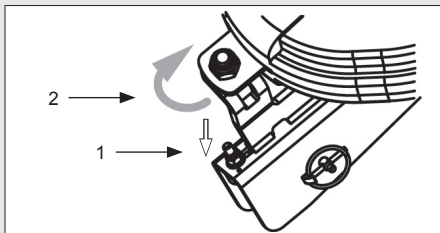
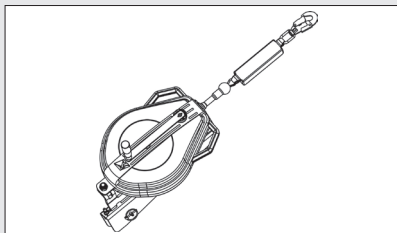
Console complète



Position de l'équerre pour recevoir un B30R

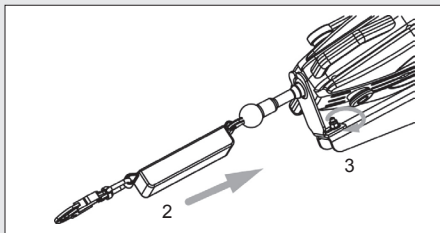
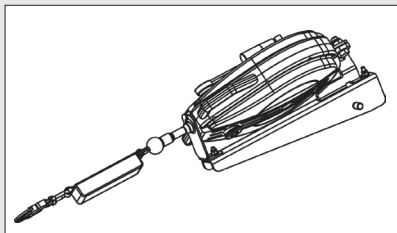


1. Positionner le blocfor™ 20R/30R 150 kg sur la vis de la console (1) puis visser l'écrou frein à fond (2)



2. Pousser l'équerre pour la centrer sur la passe câble

3. Serrer l'écrou de l'équerre



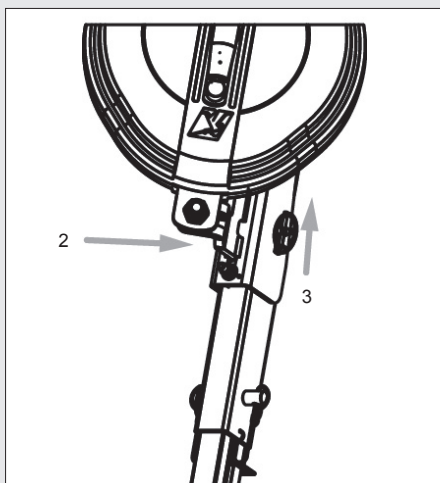
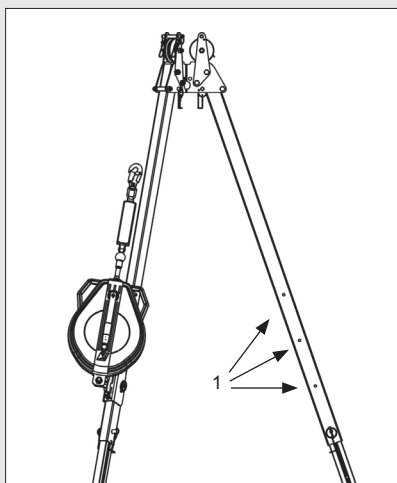
4.2.2 Installation de l'ensemble blocfor™ 20R/30R 150 kg et console sur le Tracpode

1. Positionner blocfor™ 20R/30R 150 kg à la hauteur désirée sur le tracpode (3 positions possibles) (1).

Pour cela voir la notice spécifique du tracpode.

2. Engager la broche de verrouillage dans la console et le pied du tracpode.

3. Engager la goupille clips dans la broche de verrouillage



4.2.3 Installation du blocfor™ 20R/30R 150 kg à une structure / un point d'ancrage

- Le point d'ancrage du blocfor™ 20R/30R 150 kg doit toujours se trouver au dessus, ou au niveau des pieds de l'opérateur, jamais en dessous.
- Utiliser un connecteur EN 362 pour connecter l'antichute à rappel automatique blocfor™ 20R/30R au point d'ancrage ou à une structure de résistance mini 12 kN.

5. Principe de fonctionnement

Opération de sauvetage avec blocfor™ R



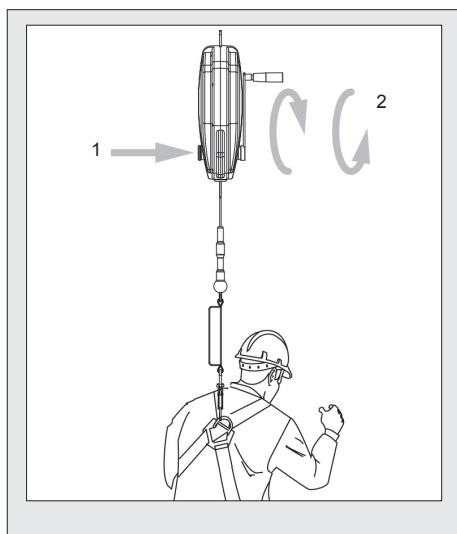
DANGER

La présence d'un deuxième opérateur à proximité est indispensable pour effectuer une éventuelle évacuation.

Les opérations de secours auront fait l'objet d'une étude programmée afin de définir les moyens humains et matériels à mettre en œuvre pour porter secours à la personne accidentée dans un délai inférieur à 15 minutes. Au delà de ce délai, l'opérateur est en danger.

5.1. Mise en fonction de la fonction récupérateur

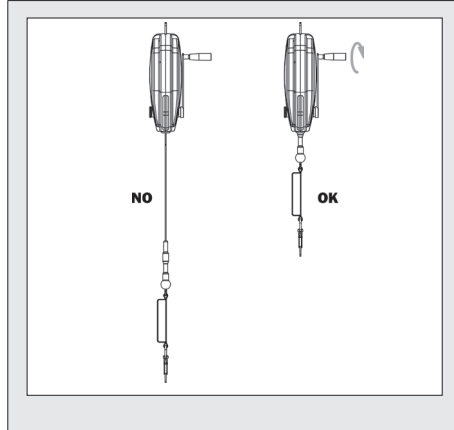
- (1) Appuyer sur le bouton rouge de verrouillage pour engager la fonction récupérateur.
- (2) Tirer puis tourner la manivelle pour évacuer l'opérateur :
 - dans le sens horaire pour monter,
 - dans le sens anti- horaire pour descendre.



5.2. Retour à la fonction antichute

5.2.1 Ré enroulement du câble dans l'appareil

L'évacuation terminée enrouler tout le câble dans l'appareil en tournant la manivelle dans le sens horaire.

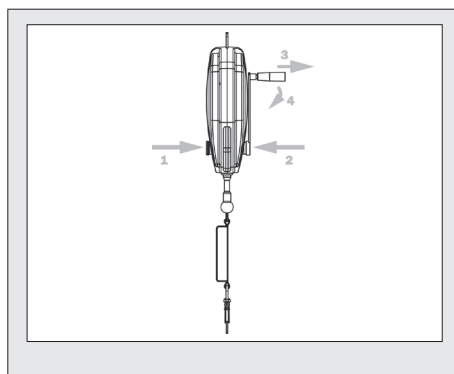


DANGER

Ne pas désengager la fonction récupérateur de l'appareil si le câble n'est pas entièrement enroulé dans le carter sinon le câble risque de se ré enrouler seul à grande vitesse.

5.2.2 Débrayage de la fonction récupérateur

- Pour débrayer le mécanisme du treuil, appuyer simultanément sur le bouton rouge (1) et sur l'axe de la manivelle (2).
- Veiller à ce que la manivelle soit positionnée verticalement, poignée en haut afin de pouvoir réaliser cette opération.
- Tirer la poignée (3) avant de la replier (4).





DANGER

Opération de levage avec blocfor™ R

Toute opération de levage avec le blocfor™ R est interdite.

Le système de treillage est destiné aux opérations de secours exclusivement

Durant toute la phase de sauvetage, il doit y avoir un contact visuel direct ou indirect ou tout autre moyen de communication entre le sauveteur et les autres personnes intervenant pour le sauvetage.

Pour les opérations de secours, l'utilisation d'un harnais confortable EN 813 (type Promast™, Transport, Secours) ou un harnais équipé de bretelle de secours EN 1497 est recommandé.

6. Contre-indications d'emploi

Il est strictement interdit :

- d'installer ou d'utiliser l'antichute à rappel automatique blocfor™ sans y avoir été autorisé, formé et reconnu compétent ou à défaut, sans être sous la surveillance d'une personne autorisée, formée et reconnue compétente.
- d'utiliser l'antichute à rappel automatique blocfor™ si son marquage n'est pas lisible.
- d'installer ou d'utiliser l'antichute à rappel automatique blocfor™ n'ayant pas fait l'objet des vérifications préalables.
- d'utiliser l'antichute à rappel automatique blocfor™ qui n'a pas fait l'objet d'un examen périodique, depuis moins de 12 mois, par un technicien ayant autorisé sa réutilisation par écrit.
- de connecter l'antichute à rappel automatique blocfor™ à un point qui n'a pas fait l'objet d'un examen périodique, depuis moins de 12 mois, par un technicien ayant autorisé sa réutilisation par écrit.
- d'utiliser l'antichute à rappel automatique blocfor™ pour toute autre application que celle d'antichute à rappel automatique de personnes.
- de fixer l'antichute à rappel automatique blocfor™ par tout autre moyen que son point d'ancrage.
- d'utiliser l'antichute à rappel automatique blocfor™ en contradiction avec les informations définies dans le paragraphe « 15. Durée de vie ».
- d'utiliser l'antichute à rappel automatique blocfor™ comme protection antichute de plus de 1 personne.
- d'utiliser l'antichute à rappel automatique blocfor™ à une charge comprise entre 100 kg et 150 kg (masse totale de l'opérateur, de son équipement et de son outillage) si au moins un élément du système d'arrêt des chutes a une charge maximale d'utilisation plus faible.
- d'utiliser l'antichute à rappel automatique blocfor™ s'il a subi une chute de personne.
- d'utiliser l'antichute à rappel automatique blocfor™ en tant que moyen de suspension ou pour le maintien au poste de travail.

- d'utiliser l'antichute à rappel automatique blocfor™ en atmosphère fortement corrosive ou explosive.
- d'utiliser l'antichute à rappel automatique blocfor™ hors de la plage de température spécifiée dans la présente notice.
- d'utiliser l'antichute à rappel automatique blocfor™ si le tirant d'air n'est pas suffisant en cas de chute de la personne.
- d'utiliser l'antichute à rappel automatique blocfor™ si l'on n'est pas en pleine forme physique.
- d'utiliser l'antichute à rappel automatique blocfor™ si l'on est une femme enceinte.
- d'utiliser l'antichute à rappel automatique blocfor™ si la fonction de sécurité de l'un des articles associés est affectée par la fonction de sécurité d'un autre article où interfère avec celle-ci.
- de lâcher la longe de l'antichute à rappel automatique blocfor™ lorsque celle-ci n'est pas complètement enroulée (figure 2.a).
- d'utiliser l'antichute à rappel automatique blocfor™ pour sécuriser une charge de matériel.
- d'amarrer l'antichute à rappel automatique blocfor™ à un point d'ancrage structurel dont la résistance est inférieure à 12 kN ou supposée comme telle.
- d'utiliser l'antichute à rappel automatique blocfor™ pour des angles verticaux supérieurs à 20° (figure 1.c).
- d'utiliser la longe de l'antichute à rappel automatique blocfor™ comme moyen d'élingage.
- de gêner l'alignement de l'antichute à rappel automatique blocfor™ par rapport à la longe.
- de gêner le déroulement et l'enroulement libre de la longe de l'antichute à rappel automatique blocfor™.
- de procéder à des opérations de réparations ou de maintenance de l'antichute à rappel automatique blocfor™ sans avoir été formé et habilité, par écrit, par TRACTEL® (figure 2.b).
- d'utiliser l'antichute à rappel automatique blocfor™ s'il n'est pas complet, s'il a été démonté au préalable ou si des composants ont été remplacés par une personne non habilitée par TRACTEL®.
- d'utiliser l'antichute à rappel automatique blocfor™ 20R/30R 150 kg par un opérateur dont la masse, équipement et outillage compris, est supérieure à 150 kg.
- de lever une charge avec l'antichute à rappel automatique blocfor™ 20R/30R.
- de créer un mou de câble lors du sauvetage vers le bas

7. Installation

- Dans la mesure du possible, le point d'ancrage structurel sera au-dessus de l'opérateur. Le point d'ancrage structurel doit présenter une résistance minimale de 12 kN.
- La connexion au point d'ancrage ou à la structure doit se faire à l'aide d'un connecteur EN 362 ou par la vis de la console tractel destiné aux blocfor™ 20 et 30 R
- Pour la connexion du système d'antichute au harnais d'antichute, se référer aux notices du harnais et

du système d'antichute afin d'utiliser le bon point d'accrochage ainsi que la bonne méthode pour s'y attacher.

8. Composants et matériaux

- Câbles : acier galvanisé.
- Absorbteur d'énergie : PA + PES.
- Carter : PA/ABS ou aluminium pour les modèles 30 m.
- Pièces d'accrochage : acier zingué.

9. Équipements associés

Conformément à la norme EN 363, l'antichute à rappel automatique blocfor™ 20R/30R 150 kg s'intègre dans un système d'arrêt des chutes, qui doit comprendre obligatoirement :

- Un ancrage (EN 795).
- Un connecteur d'extrémité (EN 362).
- Un système d'antichute (EN 360) avec dispositif de sauvetage par élévation (EN 1496).
- Un connecteur (EN 362).
- Un harnais d'antichute (EN 361), (point d'accrochage dorsal recommandé).

Toute autre association est interdite.

10. Entretien et stockage

- Si un antichute à rappel automatique blocfor™ est sale, il faut le laver à l'eau claire et froide avec éventuellement une lessive pour textiles délicats, utiliser une brosse synthétique.
- Si au cours de l'utilisation ou du lavage un antichute à rappel automatique blocfor™ a été mouillé, il faut le laisser sécher naturellement à l'ombre et à l'écart de toute source de chaleur.
- Pendant le transport et le stockage, protéger l'équipement dans un emballage résistant à l'humidité contre tout danger (source de chaleur directe, produits chimiques, UV, ...).
- Vérifier que l'embrayage / le débrayage du système récupérateur se fait correctement.
- Vérifier que le câble n'est pas endommagé sur toute sa longueur.
- En cas de contamination du produit, consulter Tractel® ou un de ses revendeurs.

11. Conformité de l'équipement

La société TRACTEL SAS RD 619 – Saint-Hilaire-sous-Romilly – F-10102 Romilly-sur-Seine France déclare, par la présente, que l'équipement de sécurité décrit dans cette notice, est identique à l'équipement ayant fait l'objet d'essais de conformité à la norme EN 1496 de 2017 par l'APAVE SUDEUROPE SAS – CS 60193 – 13322 Marseille – France

12. Marquage

Description de la désignation :

B X R ESD Z

B : pour le nom blocfor™

X : le type de blocfor™ dans la gamme (20 R / 30 R)

R : Modèle récupérateur (sauvetage par élévation EN 1496)

ESD : terme générique de la gamme

Z : Modèle de connecteur coté long rétractable

Exemple :

B20 R ESD M47

Antichute à rappel automatique blocfor™ récupérateur de la gamme ESD de type 20, équipé du connecteur modèle M47 coté long rétractable.

L'étiquette de chacun des antichutes à rappel automatique blocfor™ indique :

- La marque commerciale : TRACTEL®,
- La désignation du produit,
- La norme de référence suivie de l'année d'application,
- La référence du produit
- Le logo CE suivi du numéro 0082, numéro d'identification de l'organisme notifié chargé du contrôle de production,
- Année et semaine de fabrication,
- Le numéro de série,
- Un pictogramme indiquant qu'il faut lire la notice avant l'utilisation,
- Charge maximale d'utilisation,
- Date du prochain examen périodique,
- Résistance minimale du point d'ancrage.

13. Examen périodique et réparation

Un examen périodique annuel est obligatoire, mais en fonction de la fréquence d'utilisation, des conditions environnementales et de la réglementation de l'entreprise ou du pays d'utilisation, les examens périodiques peuvent être plus fréquents.

Les examens périodiques doivent être effectués par un technicien habilité et compétent et dans le respect des modes opératoires d'examen du fabricant retranscrits dans le fichier « Instructions de vérification des EPI TRACTEL® ».

La vérification de la lisibilité du marquage sur le produit fait partie intégrante de l'examen périodique.

À l'issue de l'examen périodique, la remise en service doit être signifiée par écrit par le technicien habilité et

compétent qui a effectué l'examen périodique. Cette remise en service du produit doit être enregistrée sur la feuille de contrôle qui se trouve au milieu de la présente notice. Cette feuille de contrôle doit être conservée pendant toute la durée de vie du produit, jusqu'à sa réforme.

Après avoir arrêté une chute, le présent produit doit obligatoirement faire l'objet d'un examen périodique tel qu'il est décrit dans le présent article. Les éventuels composants textiles du produit doivent être obligatoirement changés, même s'ils ne présentent aucune altération visible.

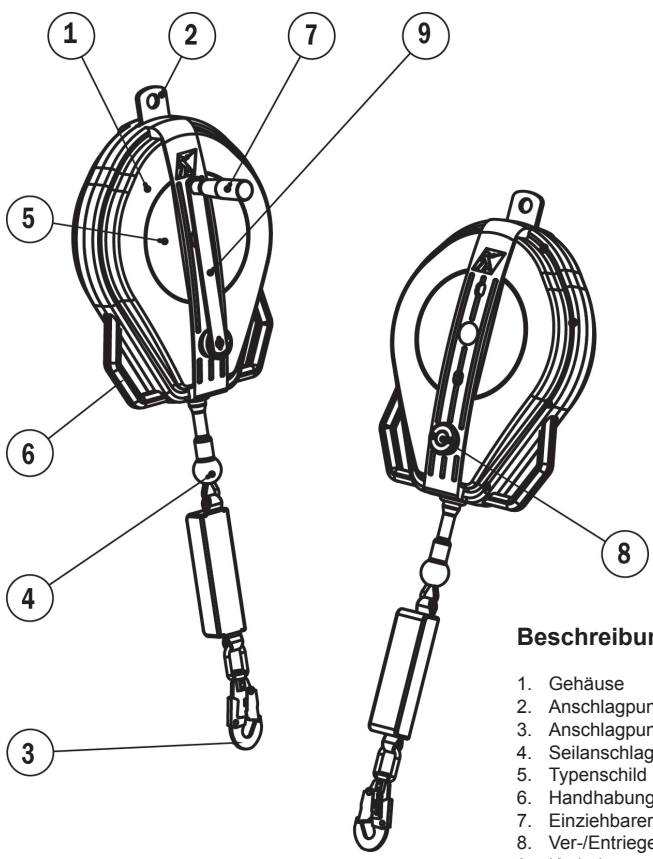
14. Durée de vie

Les EPI textiles TRACTEL® comme les harnais, longues, cordes et absorbeurs, les EPI mécaniques TRACTEL® comme les antichutes stopcable™ et stopfor™, les antichutes à rappel automatique blocfor™ et les lignes de vie TRACTEL® sont utilisables sous réserve qu'à compter de leur date de fabrication ils fassent l'objet :

- d'une utilisation normale dans le respect des préconisations d'utilisation de la présente notice.
- d'un examen périodique qui doit être réalisé au minimum 1 fois par an par un technicien habilité et compétent. À l'issue de cet examen périodique, l'EPI doit être déclaré par écrit apte à sa remise en service.
- du strict respect des conditions de stockage et de transport mentionnées dans la présente notice.

15. Mise au rebut

Lors de la mise au rebut du produit, il est obligatoire de recycler les différents composants par un tri des matières métalliques et par un tri des matériaux synthétiques. Ces matériaux doivent être recyclés auprès d'organismes spécialisés. Lors de la mise au rebut, le démontage, pour la séparation des constituants, doit être réalisé par une personne compétente.



Beschreibung:

- 1. Gehäuse
- 2. Anschlagpunkt an Montagefläche
- 3. Anschlagpunkt an Auffanggurt
- 4. Seilanschlag
- 5. Typenschild
- 6. Handhabungsgriff
- 7. Einziehbarer Griff
- 8. Ver-/Entriegelungsknopf
- 9. Kurbel

blocfor™ 20R/30R

Technische Daten

Normen: EN 360, EN 1496 Klasse B

Modell	blocfor 20R ESD 150 kg	blocfor 30R ESD 150 kg
Gewicht (kg)	9,34	16
Abmessungen B x T x H (mm)	400 x 275 x 100	600 x 320 x 130
Länge verzinktes Stahlseil des Gerätes Ø 4,9 mm (m)	18 m	30 m
Rückstellkraft (N)	25	25
Bremskraft (kN)	5	5
Bremsweg (mm)	800	800

Die blocfor™ sind Höhensicherungsgeräte mit automatischer Aufwicklung und CE-Kennzeichnung, die durch die PSA-Richtlinie abgedeckt sind. Die von APAVE ausgestellte Konformitätserklärung deckt die zweckmäßige Verwendung gemäß den Anforderungen der Norm EN 360:2002 ab.

Die von APAVE ausgestellte PSA-Konformitätserklärung schließt Anwendungen aus, die den Ansprüchen der Norm EN 1496:2017 (Rettungshubgerät) gerecht werden.

1. Wichtige Betriebsvorschriften spezifisch für Bergungsgeräte

1. Vor der Benutzung eines Höhensicherungsgerätes mit automatischer Aufwicklung blocfor™ muss der Sicherheitsbeauftragte zur Gewährleistung der Betriebssicherheit und einer optimalen Wirksamkeit der Ausrüstung in deren Verwendung unterwiesen sein und die Anleitung von TRACTEL® lesen und die darin enthaltenen Informationen verstehen. Diese Anleitung muss jederzeit allen Sicherheitsbeauftragten zur Verfügung gestellt werden. Zusätzliche Exemplare sind auf Anfrage erhältlich.
2. Vor der Benutzung dieser Schutzausrüstung muss eine Schulung hinsichtlich des Einsatzes der Ausrüstung erfolgen. Prüfen Sie den Zustand der zugehörigen Ausrüstungen und stellen Sie sicher, dass ein ausreichender Freiraum zur Aufprallfläche vorhanden ist.
3. Das Höhensicherungsgerät mit automatischer Aufwicklung blocfor™ darf nur von einer Person benutzt werden, welche in die Handhabung eingewiesen wurde oder unter der Überwachung solcher Personen steht.
4. Wenn ein Höhensicherungsgerät mit automatischer Aufwicklung blocfor™ offensichtlich nicht in einwandfreiem Zustand ist oder einen Absturz aufgefangen hat, muss die gesamte Ausrüstung von TRACTEL® von einem Sachkundigen geprüft werden, der die Wiederinbetriebnahme des Systems schriftlich genehmigen muss. Vor jeder Benutzung ist eine Sichtkontrolle empfehlenswert.
5. Jede Änderung oder Ergänzung der Ausrüstung kann nur mit TRACTEL®-Ersatzteilen erfolgen. Die Ausrüstung sollte immer im original Gerätebeutel transportiert und gelagert werden.
6. Niemals ein Höhensicherungsgerät mit automatischer Aufwicklung blocfor™ verwenden, dessen letzte regelmäßige Prüfung länger als 12 Monate zurückliegt oder das einen Absturz aufgefangen hat. Er kann erst wieder nach einer erneuten regelmäßigen Prüfung durch einen zugelassenen Sachkundigen benutzt werden, der das Gerät zur Benutzung freigibt. Ohne diese Prüfungen und Genehmigungen muss das Höhensicherungsgerät mit automatischer Aufwicklung blocfor™ ausgemustert und vernichtet werden.
7. Die Maximallast des Höhensicherungsgerätes mit automatischer Aufwicklung blocfor™ beträgt 150 kg.
8. Wenn das Gewicht jedes Benutzers zuzüglich des Gewichtes seiner Ausrüstung und seines Werkzeugs zwischen 100 kg und 150 kg liegt, muss unbedingt sichergestellt werden, dass das Gesamtgewicht (Benutzer + Ausrüstung + Werkzeug) die Maximallast der einzelnen Elemente nicht überschreitet, aus denen das Auffangsystem besteht.
9. Diese Verbindungsmittel sind für einen Betrieb auf Baustellen, im Freien und für einen Temperaturbereich von -35°C bis +60°C geeignet. Jeden Kontakt mit scharfen Kanten, scheuernden Flächen oder Chemikalien vermeiden.
10. Wenn Sie diese Ausrüstung einer angestellten Person oder einem anderen Benutzer anvertrauen müssen, müssen Sie die geltenden Arbeitsschutzbestimmungen einhalten.
11. Der Benutzer muss beim Betrieb dieser Ausrüstung in ausgezeichneter körperlicher und psychischer Verfassung sein. Im Zweifelsfall den Hausarzt bzw. Betriebsarzt konsultieren. Für schwangere Frauen verboten.
12. Die Ausrüstung darf niemals über ihre Grenzen hinaus oder in Situationen benutzt werden, für die sie nicht vorgesehen ist: siehe „4. Funktionsweise und Beschreibung“.
13. Das Höhensicherungsgerät mit automatischer Aufwicklung blocfor™ sollte jedem Benutzer persönlich zugewiesen werden, insbesondere wenn es sich um angestellte Personen handelt.
14. Vor der Benutzung eines Auffangsystems nach EN 363 muss der Sicherheitsbeauftragte sicherstellen, dass alle Bestandteile in einwandfreiem Betriebszustand sind: Sicherheitssystem, Verriegelung. Beim Anschlagen und der Benutzung dürfen die Sicherheitsfunktionen nicht beeinträchtigt werden.
15. In einem Auffangsystem ist es von entscheidender Bedeutung, vor jeder Benutzung den Freiraum zur Aufprallfläche unter dem Arbeitsplatz des Benutzers zu prüfen, so dass er beim Absturz weder auf den Boden prallen noch auf Hindernisse stoßen kann.
16. Ein Auffanggurt ist das einzige Sicherheitsgeschirr, das in einem Auffangsystem verwendet werden darf.
17. Für die Sicherheit des Benutzers ist entscheidend, dass der Anschlagpunkt und das Auffangsystem richtig platziert und die Arbeiten so durchgeführt werden, dass die Absturzgefahr und Absturzhöhe auf ein Minimum reduziert werden.
18. Wenn das Produkt in ein anderssprachiges Land weiterverkauft wird, muss der Händler zur Gewährleistung der Sicherheit des Benutzers Folgendes mitliefern: die Gebrauchsanleitung und die Anleitungen für Wartung, regelmäßige Prüfungen und Reparatur in der Landessprache des Einsatzortes.
19. Die Maximallast des Höhensicherungsgerätes mit automatischer Aufwicklung blocfor™ 20R/30R beträgt 150 kg für die Verwendung als Auffanggerät (EN 360) oder als Rettungshubgerät (EN 1496 Klasse B).
20. Vorhandensein eines Rettungsplans.



HINWEIS

Für alle Sonderanwendungen wenden Sie sich bitte an TRACTEL®.

2. Definitionen und Piktogramme

2.1. Definitionen

„**Sicherheitsbeauftragter**“: Person oder Abteilung, die für die Verwaltung und Betriebssicherheit des in dieser Anleitung beschriebenen Produkts verantwortlich ist.

„**Sachkundiger**“: Qualifizierte Person, die für die in dieser Anleitung beschriebenen und dem Sicherheitsbeauftragten erlaubten Wartungsarbeiten zuständig ist, und die sachkundig und mit dem Produkt vertraut ist.

„**Benutzer**“: Person, die mit der Benutzung des Produkts beauftragt ist, für die es vorgesehen ist.

„**PSA**“: Persönliche Schutzausrüstungen gegen Absturz.

„**Karabiner**“: Verbindungselement zur Verbindung von Bestandteilen eines Auffangsystems. Entspricht der Norm EN 362.

„**Auffanggurt**“: Sicherheitsgeschirr zum Auffangen von Abstürzen. Es besteht aus Gurten und Befestigungselementen. Es enthält Auffangösen mit der Kennzeichnung A, wenn sie allein benutzt werden können, oder mit der Kennzeichnung A/2, wenn sie gemeinsam mit einer anderen Öse A/2 benutzt werden müssen. Entspricht der Norm EN 361.

„**Höhensicherungsgerät mit automatischer Aufwicklung**“: Auffanggerät mit automatischer Verschlussfunktion, einem automatischem Spannsystem und Höhensicherungsgerät für das einstellbare Verbindungsmittel.

„**Einstellbares Verbindungsmittel**“: Verbindungsmittel eines Höhensicherungsgerätes mit automatischer Aufwicklung. Hierbei kann es sich je nach Geräte um ein Kabel aus Metall, Gurten oder Kunstfasern handeln.

„**Maximallast**“: Maximales Gewicht des bekleideten Benutzers, ausgestattet mit PSA, Arbeitskleidung, Werkzeug und zur Durchführung der Arbeiten erforderlichen Elementen.

„**Auffangsystem**“: Aus folgenden Elementen bestehende Einheit:

- Auffanggurt.
- Höhensicherungsgerät mit automatischer Aufwicklung oder Falldämpfer oder mitlaufendes Auffanggerät an fester Führung oder mitlaufendes Auffanggerät an beweglicher Führung.
- Anschlageinrichtung.
- Verbindungselement.

„**Element des Auffangsystems**“: Allgemeiner Ausdruck zur Bezeichnung eines der folgenden Elemente:

- Auffanggurt.

- Höhensicherungsgerät mit automatischer Aufwicklung oder Falldämpfer oder mitlaufendes Auffanggerät an fester Führung oder mitlaufendes Auffanggerät an beweglicher Führung.
- Anschlageinrichtung.
- Verbindungselement.

„**Rettungshubgerät, EN 1496 Klasse B**“: Bestandteil oder Unterbaugruppe eines Rettungsgerätes, welches das Abseilen eines Benutzers durch einen Retter am Boden ermöglicht und mit einer zusätzlichen Abseilfunktion mit manueller Bedienung ausgerüstet ist, um den Benutzer aus einer maximalen Höhe von 2 m abzuseilen.

„**Rettungsgerät**“: Individuelle Schutzausrüstung gegen Absturz, die es einer Person ermöglicht, sich selbst bzw. andere Personen zu retten, um Stürze zu vermeiden.

2.2. Piktogramme



GEFAHR: Am Zeilenanfang befindliche Kennzeichnung der Anweisungen zur Vermeidung von Personenschäden wie tödliche, schwere oder leichte Verletzungen, sowie zur Vermeidung von Umweltschäden.



WICHTIG: Am Zeilenanfang befindliche Kennzeichnung der Anweisungen zur Vermeidung einer Störung oder Beschädigung der Ausrüstungen, die jedoch keine direkte Gefahr für das Leben und die Gesundheit des Benutzers oder anderer Personen darstellt und/oder keine Umweltschäden verursacht.



HINWEIS: Am Zeilenanfang befindliche Kennzeichnung der Anweisungen zur Gewährleistung einer effizienten und zweckmäßigen Installation, Benutzung und Wartung.

3. Benutzungsbedingungen

Prüfung vor der Benutzung:

- Den Zustand des Verbindungsmittels auf seiner gesamten Länge prüfen:
 - Das synthetische Seil oder das Gurt dürfen keine Spuren von Abrieb, Ausfaserung, Verbrennung, Einschnitten usw. aufweisen.
 - Das Drahtseil darf keine Spuren von Biegung, Abrieb oder Korrosion und keine durchtrennten Drähte aufweisen.
- Überprüfen, dass das Verbindungsmittel blockiert, wenn schnell an einem Ende gezogen wird und dass es sich normal und vollständig ab- und aufwickelt.
- Den Zustand des Gehäuses überprüfen (keine Verformung, Schrauben vorhanden ...)
- Den Zustand und den einwandfreien Betrieb der Karabiner prüfen: keine sichtbare Verformung, Öffnen, Schließen und Verriegeln möglich.

- Den Zustand der mitverwendeten Ausrüstung (Auffanggurt und Karabiner) prüfen. Siehe die jeweiligen Anleitungen der einzelnen Produkte.
- Das gesamte Auffangsystem prüfen.
- Überprüfen, dass die Konsol(en) ordnungsgemäß an den Stützen des tracpods verriegelt sind (siehe 4.2.2).
- Überprüfen, dass die Auffangfunktion des Höhensicherungsgerätes mit automatischer Aufwicklung aktiviert wurde: Vor der Benutzung aktiviertes Bergungsgerät.
- Überprüfen, dass das Verbindungsmittel blockiert, wenn schnell an einem Ende gezogen wird und dass es sich normal und vollständig ab- und aufwickelt.
- Überprüfen, dass die Bergefunktion korrekt aktiviert und deaktiviert werden kann.
- Überprüfen, dass das Verbindungsmittel durch die am Seilende verbundene Last blockiert wird und dass es sich normal und vollständig bei der Bedienung der Windenkurbel ab- und aufwickelt.

4. Funktionsweise und Beschreibung

4.1. Das blocfor™ 20R/30R 150 kg

- Das Höhensicherungsgerät mit automatischer Aufwicklung blocfor™ 20R/30R 150 kg ist ein Höhensicherungsgerät mit automatischer Aufwicklung nach der Norm EN 360: siehe Abschnitt 4 der beiliegenden Anleitung des blocfor™ ESD - EN 360.
- Es verfügt über ein Rettungshubgerät (EN 1496 Klasse B), das nach oben oder unten Lasten heben kann: Bergefunktion für die mögliche Rettung durch Anheben oder Abseilen von Benutzern nach einem Sturz. Das Gerät kann wie folgt verwendet werden:
 - vertikal, wenn es an einem Anschlagpunkt installiert wird.
 - geneigt, wenn es an der Konsole des tracpode Konsole installiert wird.
- Diese Vorrichtung wird deaktiviert, wenn das blocfor™ als Auffanggerät verwendet wird.
- Nach einem Sturz, ist der Mechanismus des blocfor™ blockiert. Der Auffangmechanismus muss aktiviert werden, indem der Verriegelungsknopf gedrückt wird und die Kurbel gedreht wird, um Benutzer aus der Höhe oder der Tiefe bergen zu können.
- Das Höhensicherungsgerät mit automatischer Aufwicklung blocfor™ 20R/30R 150 kg verfügt über zwei Griffe für die einfachere Handhabung und Verwendung bei der Bergung aus der Tiefe, indem die Ausrüstung mit einer Hand gehalten und die Kurbel mit der anderen gedreht werden kann.
- Eine spezifische Anschlagkonsole ermöglicht die Befestigung des Höhensicherungsgerätes mit automatischer Aufwicklung blocfor™ 20R/30R 150 kg an einer der Stützen des Tracpode.
- Die Rettungsfunktion für die Bergung aus der Tiefe ist auf einen maximalen Abstieg von 2 m begrenzt. Ab dieser Höhe ist ein Abseilgerät nach EN 341 zu verwenden.

4.2. Die Konsole

4.2.1 Installation des blocfor™ 20R/30R an der Konsole

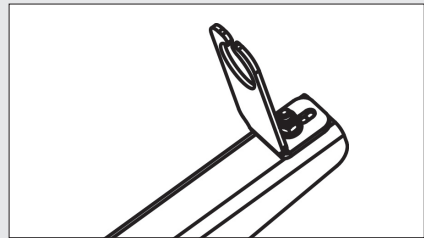


Es ist untersagt, ein Höhensicherungsgerät mit automatischer Aufwicklung blocfor™ 20R/30R 150 kg an einer anderen als der Tractel-Konsole zu installieren.

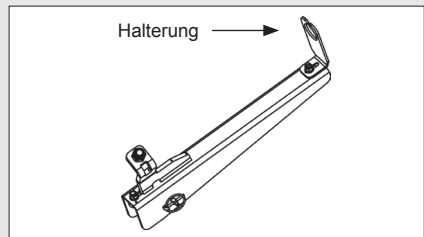
Vorbereitung der Anschlagkonsole

Die Position der Halterung an den Typ des blocfor™ anpassen: 20R oder 30R.

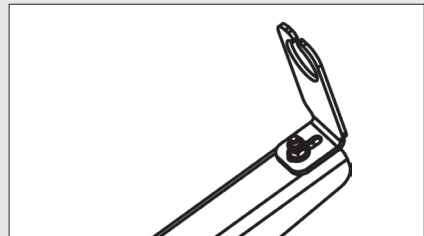
Position der Halterung zur Aufnahme eines B20R



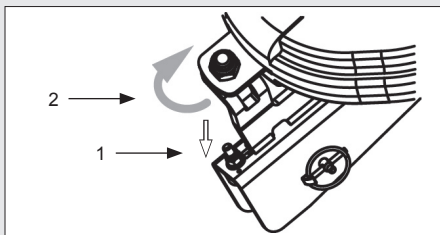
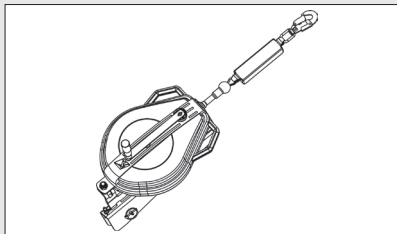
Komplette Konsole



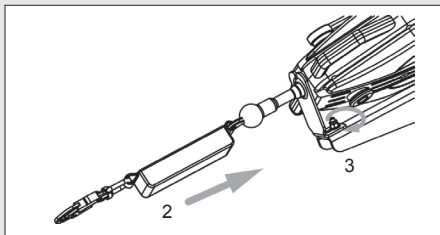
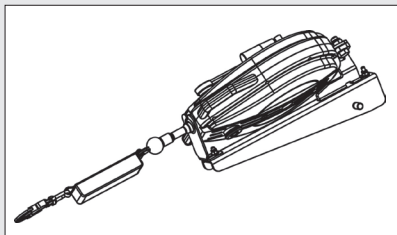
Position der Halterung zur Aufnahme eines B30R



1. Den blocfor™ 20R/30R 150 kg auf der Schraube der Konsole (1) positionieren und die Sicherungsmutter festziehen (2).

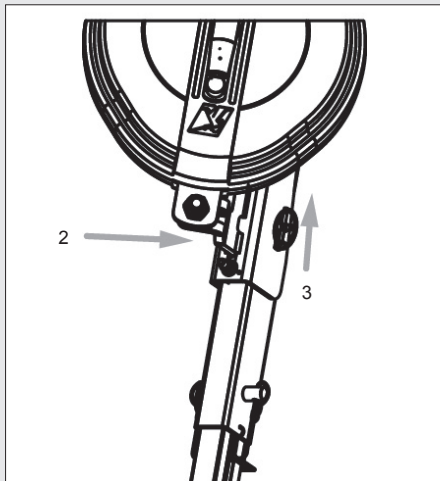
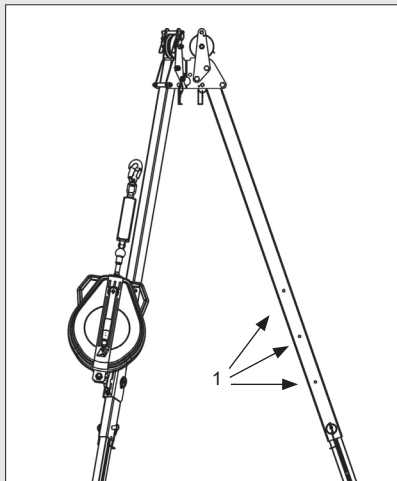


2. Die Halterung so positionieren, um sie an der Seildurchführung zu zentrieren.
3. Die Mutter der Halterung festziehen.



4.2.2 Installation des gesamten blocfor™ 20R/30R 150 kg und der Konsole am tracpode

1. Das blocfor™ 20R/30R 150 kg in der gewünschten Höhe am tracpode installieren (3 mögliche Positionen) (1). Siehe spezifische Anleitung des tracpode.
2. Den Sicherheitsbolzen in der Konsole und den Fuß des tracpode einführen.
3. Den Sicherheitsstift in den Sicherheitsbolzen einführen.



4.2.3 Installation des blocfor™ 20R/30R 150 kg an einer Montagefläche bzw. einem Anschlagpunkt

- Der Anschlagpunkt des blocfor™ 20R/30R 150 kg muss sich stets darüber oder in Fußhöhe des Benutzers befinden, jedoch niemals darunter.
- Einen Karabiner EN 362 für die Verbindung des Höhensicherungsgerätes mit automatischer Aufwicklung blocfor™ 20R/30R am Anschlagpunkt bzw. der Montagefläche mit einer minimalen Tragfähigkeit von 12 kN verwenden.

5. Funktionsprinzip

Rettungseinsatz mit blocfor™ R



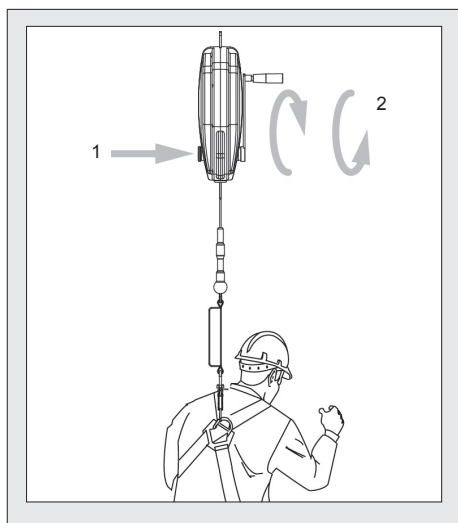
GEFAHR

Die Anwesenheit eines zweiten Benutzers in der Nähe ist für die eventuelle Bergung unerlässlich.

Vor der Inbetriebnahme muss eine Studie durchgeführt werden, die die Rettungsaktionen und die erforderlichen, menschlichen und materiellen Mittel festlegt, um den Verunglückten innerhalb von 15 Minuten zu retten. Über diesen Zeitraum hinaus besteht für den Benutzer Gefahr.

5.1. Aktivierung der Bergfunktion

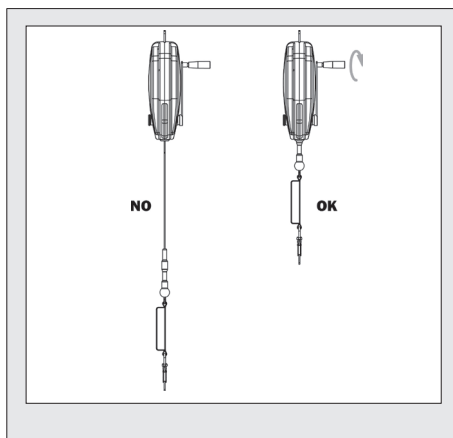
- (1) Den Verriegelungsknopf drücken, um die Auffangfunktion zu aktivieren.
- (2) Die Kurbel ziehen und anschließend drehen, um den Benutzer zu evakuieren:
 - im Uhrzeigersinn, um ihn aus der Tiefe zu bergen,
 - gegen den Uhrzeigersinn, um ihn aus der Höhe zu bergen.



5.2. Rückkehr zur Auffalfunktion

5.2.1 Erneutes Aufwickeln des Seils im Gerät

Nach der Bergung das Seil im Gerät aufwickeln, indem die Kurbel im Uhrzeigersinn gedreht wird.

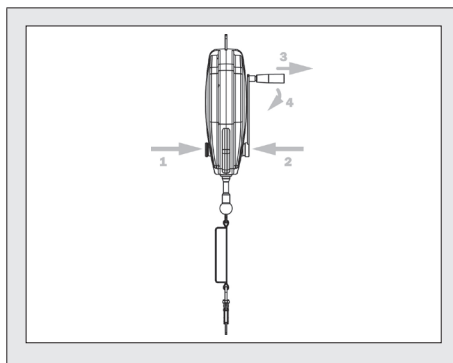


GEFAHR

Die Bergfunktion nicht deaktivieren, wenn das Seil nicht vollständig im Gehäuse aufgewickelt wurde, damit sich das Seil nicht selbstständig und sehr schnell aufwickelt.

5.2.2 Deaktivierung der Bergfunktion

- Gleichzeitig auf den roten Knopf (1) und die Achse der Kurbel (2) drücken, um den Windenmechanismus zu deaktivieren.
- Sicherstellen, dass sich die Kurbel in der vertikalen Position befindet, mit dem Griff nach oben, um diesen Vorgang ausführen zu können.
- Den Griff (3) ziehen und den Griff anschließend einklappen (4).





GEFAHR

Hubarbeiten mit blocfor™ R

Jegliche Hubarbeiten mit dem blocfor™ R sind untersagt.

Das Windensystem wurde ausschließlich für Rettungsseinsätze konzipiert.

Während der gesamten Rettungsphase muss ein direkter bzw. indirekter Sichtkontakt oder ein anderes Kommunikationsmittel zwischen Retter und den anderen Personen bestehen, die an der Rettung teilnehmen.

Bei Rettungsseinsätzen wird die Verwendung eines bequemen Auffanggurtes nach EN 813 (Typ Promast™, Transport, Rettung) oder ein Auffanggurt mit Schultergurt nach EN 1497 empfohlen.

6. Anwendungsverbote

Folgendes ist streng verboten:

- Installation oder Benutzung des Höhensicherungsgerätes mit automatischer Aufwicklung blocfor™ ohne die entsprechende Befugnis, Einweisung und anerkannte Sachkenntnis bzw. ohne unter der Verantwortung einer befugten, geschulten und sachkundigen Person zu stehen.
- Benutzung des Höhensicherungsgerätes mit automatischer Aufwicklung blocfor™, wenn die Kennzeichnung nicht lesbar ist.
- Installation oder Benutzung des Höhensicherungsgerätes mit automatischer Aufwicklung blocfor™, der nicht den jährlichen Prüfungen unterzogen wurde.
- Benutzung eines Höhensicherungsgerätes mit automatischer Aufwicklung blocfor™, der in den
- vergangenen 12 Monaten nicht der regelmäßigen Prüfung durch einen Sachkundigen unterzogen wurde, der die erneute Benutzung schriftlich genehmigt hat.
- Anschlagen des Höhensicherungsgerätes mit automatischer Aufwicklung blocfor™ an einem Punkt, der in den vergangenen 12 Monaten nicht der regelmäßigen Prüfung durch einen Sachkundigen unterzogen wurde, der die erneute Benutzung schriftlich genehmigt hat.
- Benutzung des Höhensicherungsgerätes mit automatischer Aufwicklung blocfor™ zu einem anderen als dem vorgesehenen Zweck, als Höhensicherungsgerät mit automatischer Aufwicklung.
- Befestigung des Höhensicherungsgerätes mit automatischer Aufwicklung blocfor™ mit anderen Mitteln als seinem Anschlagpunkt.
- Benutzung des Höhensicherungsgerätes mit automatischer Aufwicklung blocfor™ unter Missachtung der Angaben von Abschnitt „15. Lebensdauer“.
- Benutzung des Höhensicherungsgerätes mit automatischer Aufwicklung blocfor™ als Absturzsicherung für mehr als 1 Person.

- Benutzung des Höhensicherungsgerätes mit automatischer Aufwicklung blocfor™ mit einer Last zwischen 100 kg und 150 kg (Gesamtgewicht des Benutzers mit Ausrüstung und Werkzeug), wenn ein Element des Auffangsystems eine geringere Tragfähigkeit hat.
- Benutzung des Höhensicherungsgerätes mit automatischer Aufwicklung blocfor™, das den Absturz einer Person aufgefangen hat.
- Benutzung des Höhensicherungsgerätes mit automatischer Aufwicklung blocfor™ als Aufhängemittel oder zur Arbeitsplatzpositionierung.
- Benutzung des Höhensicherungsgerätes mit automatischer Aufwicklung blocfor™ in hochkorrosiven oder explosionsgefährdeten Bereichen.
- Benutzung des Höhensicherungsgerätes mit automatischer Aufwicklung blocfor™ außerhalb des in dieser Anleitung angegebenen Temperaturbereichs.
- Benutzung des Höhensicherungsgerätes mit automatischer Aufwicklung blocfor™, wenn der Freiraum zur Aufprallfläche beim Absturz der Person zu klein ist.
- Benutzung des Höhensicherungsgerätes mit automatischer Aufwicklung blocfor™, ohne in ausgezeichneter körperlicher Verfassung zu sein.
- Benutzung des Höhensicherungsgerätes mit automatischer Aufwicklung blocfor™ durch eine schwangere Frau.
- Benutzung des Höhensicherungsgerätes mit automatischer Aufwicklung blocfor™, wenn die Sicherheitsfunktion eines der verbundenen Elemente durch die Sicherheitsfunktion eines anderen Elements beeinträchtigt wird oder diese beeinträchtigt.
- Loslassen des Verbindungsmittels des Höhensicherungsgerätes mit automatischer Aufwicklung blocfor™, wenn dieses nicht vollständig aufgewickelt ist (*Abbildung 2.a*).
- Benutzung des Höhensicherungsgerätes mit automatischer Aufwicklung blocfor™ zur Sicherung einer Materiallast.
- Anschlagen des Höhensicherungsgerätes mit automatischer Aufwicklung blocfor™ an einem Anschlagpunkt mit einer Tragfähigkeit von weniger als 10 kN oder einer nicht genau bekannten Tragfähigkeit.
- Benutzung des Höhensicherungsgerätes mit automatischer Aufwicklung blocfor™ für vertikale Winkel größer als \hat{a} 20° (*Abbildung 1.c*).
- Benutzung des Verbindungsmittels des Höhensicherungsgerätes mit automatischer Aufwicklung blocfor™ als Lastaufnahmemittel.
- Behinderung der Ausrichtung des Höhensicherungsgerätes mit automatischer Aufwicklung blocfor™ gegenüber seinem Verbindungsmittel.
- Behinderung des freien Auf- und Abrollens des Verbindungsmittels des Höhensicherungsgerätes mit automatischer Aufwicklung blocfor™.
- Ausführung von Reparatur- oder Wartungsarbeiten des Höhensicherungsgerätes mit automatischer

Aufwicklung blocfor™ ohne entsprechende Schulung und schriftliche Befugnis durch TRACTEL® (Abbildung 2.b).

- Benutzung des Höhensicherungsgerätes mit automatischer Aufwicklung blocfor™ wenn es unvollständig ist, wenn es vorher demontiert wurde oder wenn Bauteile von einer nicht von TRACTEL® qualifizierten Person ersetzt wurden.
- Benutzung des Höhensicherungsgerätes mit automatischer Aufwicklung blocfor™ 20R/30R 150 kg durch einen Benutzer mit einem Gewicht einschließlich Ausrüstung und Werkzeug von über 150 kg.
- Heben von Lasten mit dem Höhensicherungsgerät mit automatischer Aufwicklung blocfor™ 20R/30R.
- Bilden von Schaffseil beim Bergen aus der Tiefe.

7. Installation

- Soweit wie möglich muss sich der Anschlagpunkt über dem Benutzer befinden. Der Anschlagpunkt muss eine minimale Tragfähigkeit von 12 kN aufweisen.
- Die Verbindung mit dem Anschlagpunkt bzw. der Montagefläche hat über einen Karabiner nach EN 362 oder der Schraube der Tractel-Konsole zu geschehen, die sich für blocfor™ 20 und 30 R eignet.
- Zum Anschlagen des Auffangsystems am Auffanggurt die richtige Auffangöse und die korrekte Art des Anschlagens den Anleitungen des Auffanggurts und des Auffangsystems entnehmen.

8. Bestandteile und Materialien

- Seile: verzinkter Stahl.
- Falldämpfer: PA + PES.
- Gehäuse: PA/ABS oder Aluminium für die Modelle 30 m.
- Verankerungselemente: verzinkter Stahl.

9. Zugehörige Ausrüstungen

Gemäß der Norm EN 363, wird das Höhensicherungsgerät mit automatischer Aufwicklung blocfor™ 20R/30R 150 kg in ein Auffangsystem integriert, welches über die folgenden Elemente verfügen muss:

- Ein Anschlagpunkt (EN 795).
- Ein Karabiner am Seilende (EN 362).
- Ein Auffangsystem (EN 360) mit Rettungshubgerät (EN 1496).
- Ein Karabiner (EN 362).
- Ein Auffanggurt (EN 361), (Anschlagpunkt im Rückenbereich empfohlen).

Alle sonstigen Zusammenstellungen sind verboten.

10. Wartung und Lagerung

- Wenn ein Höhensicherungsgerät mit automatischer Aufwicklung blocfor™ schmutzig ist, muss es mit klarem, kaltem Wasser gewaschen werden, dem gegebenenfalls Feinwaschmittel hinzuzufügen ist. Eine Kunststoffbürste benutzen.

- Wenn das Höhensicherungsgerät mit automatischer Aufwicklung blocfor™ beim Einsatz oder bei der Reinigung feucht geworden ist, muss er im Schatten und fern von Wärmequellen auf natürliche Weise getrocknet werden.
- Die Ausrüstung bei Transport und Lagerung in einer feuchtigkeitsbeständigen Verpackung vor allen Gefahren schützen (direkte Wärmequellen, Chemikalien, UV-Strahlen usw.).
- Sicherstellen, dass die Bergfunktion korrekt aktiviert bzw. deaktiviert werden kann.
- Sicherstellen, dass das gesamte Kabel unbeschädigt ist.
- Bei der Verunreinigung des Produktes, muss Tractel® oder einer seiner Händler kontaktiert werden.

11. Konformität der Ausrüstung

Die Firma TRACTEL SAS RD 619 – Saint-Hilaire-sous-Romilly – F-10102 Romilly-sur-Seine – Frankreich, erklärt hiermit, dass die in dieser Anleitung beschriebene Schutzausrüstung mit der Absturzsicherungsausrüstung identisch ist, die von APAVE SUDEUROPE SAS – CS 60193 – 13322 Marseille – Frankreich, gemäß der Norm EN 1496 geprüft wurde.

12. Produktkennzeichnung

Beschreibung der Bezeichnung:

B X R ESD Z

B: für den Namen blocfor™

X: der Typ des blocfor™ der Produktreihe (20 R / 30 R)

R: Bergungsmodell (Rettungshubgerät EN 1496)

ESD: allgemeine Bezeichnung der Produktreihe

Z: Karabinermodell: aufrollbares Anschlagsseil

Beispiel:

B20 R ESD M47

Höhensicherungsgerät mit automatischer Aufwicklung blocfor™ der Produktreihe ESD, Typ 20, gesichert mit einem Karabiner vom Typ M47 am aufrollbaren Anschlagsseil.

Das Etikett jedes Höhensicherungsgerät mit automatischer Aufwicklung blocfor™ enthält folgende Angaben:

a: die Handelsmarke: TRACTEL®,

b: die Produktbezeichnung,

c: die Bezugsnorm gefolgt vom Anwendungsjahr,

d. die Artikelnummer,

e. das CE-Logo gefolgt von der Kennnummer der gemeldeten Stelle zur Produktionsüberwachung 0082,

f. Jahr und Woche der Herstellung,

- g: die Seriennummer,
- h: ein Piktogramm, das anzeigt, dass vor dem Betrieb die Anleitung gelesen werden muss,
- w. die Maximallast,
- aa. Datum der nächsten regelmäßigen Prüfung,
- ab. die minimale Bruchfestigkeit der Anschlagereinrichtung.

13. Regelmäßige Prüfung und Reparatur

Eine regelmäßige jährliche Prüfung ist obligatorisch, aber je nach Benutzungshäufigkeit, Umweltbedingungen und Vorschriften des Unternehmens oder Einsatzlandes können die regelmäßigen Prüfungen häufiger notwendig sein.

Die regelmäßigen Prüfungen müssen von einem befugten Fachtechniker gemäß den Prüfverfahren des Herstellers durchgeführt werden, die sich in der Datei „PSA-Prüfungsanleitung von TRACTEL®“ finden.

Die Prüfung der Lesbarkeit der Kennzeichnung auf dem Produkt ist fester Bestandteil der regelmäßigen Prüfung.

Nach Abschluss der regelmäßigen Prüfung muss die Wiederinbetriebnahme durch den befugten Sachkundigen, der die regelmäßige Prüfung durchgeführt hat, schriftlich dokumentiert werden. Diese Wiederinbetriebnahme des Produkts muss auf der Kontrollkarte in der Mitte dieser Anleitung festgehalten werden. Diese Kontrollkarte muss während der gesamten Lebensdauer des Produkts bis zu seinem Ablegezeitpunkt aufbewahrt werden.

Das vorliegende Gerät muss nach einem aufgefangenen Absturz zwingend überprüft werden, so wie dies hier beschrieben wird. Die eventuellen textilen Komponenten des Produktes müssen zwingend ersetzt werden, selbst wenn diese keine sichtbaren Schäden aufweisen.

14. Lebensdauer

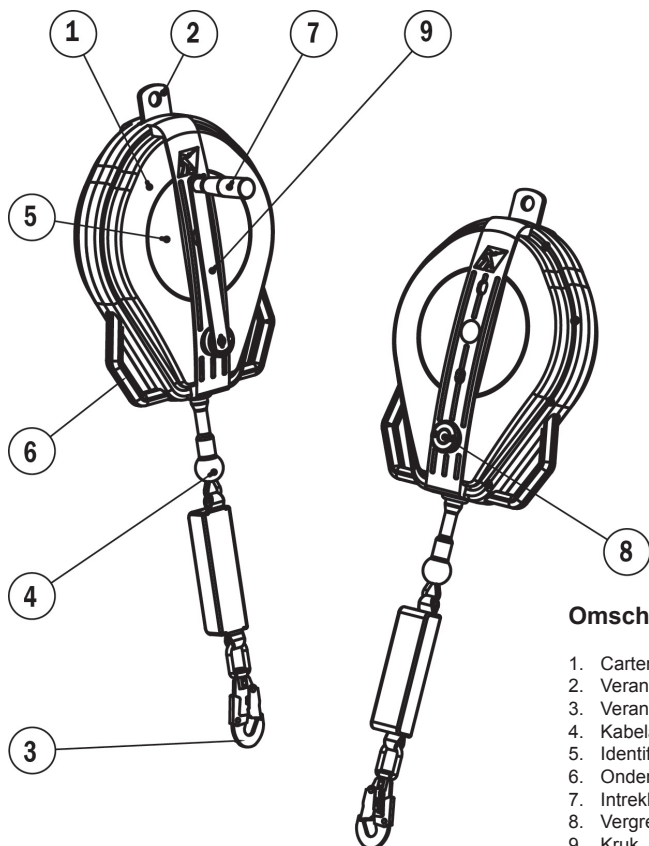
Tractel® textile PSAG-A-Produkte wie Auffanggurte, Verbindungsmittel, Seile und Falldämpfer, Tractel® mechanische PSAG-A-Produkte wie Stopcable™ und Stopfor™ Auffanggeräte, blocfor™ Höhensicherungsgeräte sowie die horizontalen Tractel® Laufsicherungen können ohne Einschränkungen im Bezug auf ihr Herstellungsdatum eingesetzt und genutzt werden. Dies gilt unter folgenden Voraussetzungen:

- Normale Verwendung in Übereinstimmung mit der Bedienungsanleitung.
- Eine periodische Überprüfung der Produkte wird mindestens einmal im Jahr durch eine qualifizierte oder sachkundige Person durchgeführt. Im Anschluss an diese Prüfung muss das PSAG-A-Produkt schriftlich für den weiteren Gebrauch dokumentiert werden.

- Lagerungs- und Transportvorschriften des Produktes müssen exakt, wie in der Bedienungsanleitung spezifiziert, eingehalten werden.

15. Ausmusterung

Bei der Ausmusterung des Produkts müssen die einzelnen Bauteile durch Trennung der metallischen und synthetischen Werkstoffe recycelt werden. Diese Werkstoffe müssen von einem Fachunternehmen recycelt werden. Bei der Ausmusterung muss die Demontage der Bauteile von einer sachkundigen Person durchgeführt werden.



Omschrijving:

1. Carter
2. Verankeringspunt op structuur
3. Verankeringspunt op harnas
4. Kabelaanloop
5. Identificatielabel
6. Onderhoudshandgreep
7. Intrekbare handgreep
8. Vergrendel-/ontgrendelknop
9. Kruk

blocfor™ 20R/30R

Technische bijzonderheden

Normen: EN 360, EN 1496 klasse B

Model	blocfor 20R ESD 150 kg	blocfor 30R ESD 150 kg
Gewicht (kg)	9,34	16
Afmetingen L x B x H (mm)	400 x 275 x 100	600 x 320 x 130
Lengte apparaat gegalvaniseerde ijzeren kabel Ø 4,9 mm (m)	18 m	30 m
Veerkracht (N)	25	25
Remkracht (kN)	5	5
Remafstand (mm)	800	800

blocfor zijn EU-goedgekeurde valstoppen met automatische retour in overeenstemming met de PBM-richtlijn. Het certificaat van overeenstemming afgeleverd door APAVE dekt het gebruik ervan in overeenstemming met de eisen van de norm EN 360:2002.

Het PBM-certificaat van overeenstemming dat door APAVE wordt afgeleverd sluit de toepassingen uit die met andere gebruiksvormen overeenstemmen, zoals de overeenstemming met de norm EN1496:2017, hijsstelsel voor reddingsdoelinden.

NL

1. Belangrijkste instructies die eigen zijn aan opvangtoestellen

1. Alvorens een blocfor™ valstop met automatische retour te gebruiken, is het absoluut noodzakelijk voor de gebruiksveiligheid en de doeltreffendheid van het materiaal dat de gebruiker de informatie in de door TRACTEL SAS geleverde handleiding leest en begrijpt. Deze handleiding moet bewaard en ter beschikking van alle gebruikers gesteld worden. Bijkomende exemplaren kunnen op aanvraag worden verkregen.
2. Alvorens dit veiligheidsmateriaal te gebruiken, is het noodzakelijk eerst een aangepaste opleiding aangaande het gebruik ervan gevolgd te hebben. Controleer de staat van de bijbehorende uitrustingen en verzeker u ervan dat er voldoende vrije valhoogte is.
3. De blocfor™ valstop met automatische retour mag alleen door één enkele opgeleide en bevoegde persoon gebruikt worden of door een operator die onder toezicht van zo'n persoon staat.
4. Als een blocfor™ valstop met automatische retour niet in schijnbaar goede staat verkeert of gediend heeft om een val te stoppen, moet het geheel door TRACTEL SAS of door een bevoegde en bekwaame technicus worden gecontroleerd. Deze persoon dient schriftelijk het hergebruik van het systeem goed te keuren. Een visuele controle vóór elk gebruik is aanbevolen.
5. Elke wijziging of toevoeging aan de uitrusting mag alleen gebeuren met het voorafgaand schriftelijk akkoord van TRACTEL SAS. De uitrusting moet getransporteerd en opgeslagen worden in haar oorspronkelijk verpakking.
6. Iedere blocfor™ valstop met automatische retour die geen periodieke inspectie heeft ondergaan gedurende de laatste twaalf maanden of die een val heeft opgevangen, mag niet worden gebruikt. Hij mag pas gebruikt worden nadat er opnieuw een periodieke inspectie is gebeurd door een bevoegde en bekwaame technicus die schriftelijk toestemming zal geven voor het gebruik ervan. Zonder deze inspecties en toestemmingen zal de blocfor™ valstop met automatische retour vervangen moeten worden door een nieuwe, en zal de oude moeten worden vernietigd.
7. De maximale gebruikslast van de blocfor™ valstop met automatische retour is 150 kg.
8. Indien de massa van de gebruiker plus de massa van zijn uitrusting en gereedschap tussen 100 en 150 kg ligt, mag deze totale massa (gebruiker + uitrusting + gereedschap) de maximale gebruikslast van elk van de elementen die deel uitmaken van het valstopstelsel niet overschrijden.
9. Deze uitrusting is geschikt voor gebruik in de buitenlucht en voor temperaturen tussen -35°C en +60°C. Vermijd elk contact met scherpe kanten, schurende oppervlakken, chemische producten.
10. Als u het materiaal aan een werknemer of aan een gelijkwaardig individu toevertrouwt, respecteer dan de van kracht zijnde verplichte arbeidsreglementeringen.
11. De gebruiker moet tijdens het gebruik van de uitrusting in goede fysieke en psychologische staat verkeren. Raadpleeg bij twijfels uw arts of de bedrijfsarts. Mag niet door zwangere vrouwen gebruikt worden.
12. De uitrusting mag niet gebruikt worden boven haar bedrijfsgrenzen, of in alle andere situaties waarvoor de uitrusting niet bestemd is: zie § "4. Functies en omschrijving".
13. Het is raadzaam de blocfor™ valstop met automatische retour persoonlijk aan elke operator toe te kennen, met name, als het gaat om werknemers.
14. Voordat u een valbeveiligingssysteem EN 363 gebruikt, moet de gebruiker ervoor zorgen dat alle samenstellende onderdelen in goede bedrijfsstaat verkeren: veiligheidssysteem, vergrendeling. Bij het plaatsen van het toestel mogen de veiligheidsfuncties van het toestel niet aangetast zijn.
15. Bij een valbeveiligingssysteem is het belangrijk de vrije valhoogte onder de operator op de werkplaats te controleren vóór elk gebruik, zodat er bij een val geen risico bestaat op aanraking met de grond of met een obstakel op het traject van de val.
16. Een harnasgordel is de enige uitrusting voor het beveiligen van het lichaam die u mag gebruiken in een valbeveiligingssysteem.
17. Voor de veiligheid van de operator is het essentieel dat het harnas of het verankeringspunt correct gepositioneerd is en dat het werk zodanig wordt uitgevoerd dat het risico op vallen en de hoogte zo klein mogelijk zijn.
18. Als het product verkocht wordt in een ander land dan het oorspronkelijk land, moet de verkoper voor de veiligheid van de operator de gebruiksaanwijzing, de instructies voor het onderhoud, voor de periodieke controles en herstellingen bijleveren, opgesteld in de taal van het land van gebruik van het product.

19. De maximale gebruikslast van de bloctor™ valstop met automatische retour 20R/30R is 150 kg, zowel voor het gebruik als valstop (EN 360) als voor het gebruik als hijsmiddel voor reddingsdoeleinden (EN 1496 categorie B).

20. Een reddingsplan werd opgesteld.

OPMERKING

Voor speciale toepassingen, aarzel niet contact op te nemen met TRACTEL® S.A.S.

2. Definities en pictogrammen

2.1. Definities

“**Gebruiker**”: Persoon of afdeling verantwoordelijk voor het beheer en de gebruiksvaardigheid van het in deze handleiding beschreven product.

“**Technicus**”: Bevoegd persoon, belast met de onderhoudswerkzaamheden die in deze handleiding worden beschreven en aan de gebruiker worden toegestaan, die het product kent en ermee kan werken.

“**Operator**”: Persoon die gebruik maakt van het product volgens de gebruiksnormen ervan.

“**PBM**”: Persoonlijke beschermingsmiddelen tegen vallen van op een bepaalde hoogte.

“**Connector**”: Verbindingsstuk tussen de onderdelen van een valbeveiligingssysteem. Dit element is conform de norm EN 362.

“**Harnasgordel**”: Valbeveiligingsuitrusting ter bescherming van het lichaam bestaande uit riemen en gespen. Het omvat antivalbevestigingspunten gemarkeerd met een A indien ze alleen gebruikt mogen worden, of met een A/2 indien ze in combinatie met een ander A/2-bevestigingspunt gebruikt dienen te worden. Dit element is conform de norm EN 361.

“**Valstop met automatische retour**”: Valstop met een automatisch blokkeersysteem en een automatisch aanspan- en retoursysteem voor de intrekbare leiriem.

“**Intrekbare leiriem**”: Verbindingselement van een valstop met automatische retour. Deze kan gemaakt zijn van een metalen kabel, van een riem of van kunstvezels, naargelang van het type apparaat.

“**Maximale gebruikselasting**”: Maximale massa van de bediener die aangekleed is, uitgerust is met zijn persoonlijke beschermingsmiddelen (PBM), zijn werkkleding, zijn gereedschap en de onderdelen die hij of zij nodig heeft om zijn reparatie of installatie uit te voeren.

“**Valbeveiligingssysteem**”: Een geheel dat uit de volgende elementen bestaat:

- Harnasgordel.
- Valbeveiliging met automatische retour of energieabsorber of meelopende valbeveiliging

met een starre ankerlijn of meelopende valbeveiliging met een flexibele ankerlijn.

- Verankerung.
- Verbindingsselement.

“**Element van het valbeveiligingssysteem**”: Algemene term die één van de volgende elementen aanduidt:

- Harnasgordel.
- Valbeveiliging met automatische retour of energieabsorber of meelopende valbeveiliging met een starre ankerlijn of meelopende valbeveiliging met een flexibele ankerlijn.
- Verankerung.
- Verbindingsselement.

“**Hijsmiddel voor reddingsdoeleinden EN 1496 categorie B**”: onderdeel of subgeheel van een reddingsuitrusting voor het hijsen van een operator met de hulp van een redder van een laag punt naar een hoog punt en voorzien van een bijkomende daalfunctie met manuele bediening om de operator op een beperkte afstand van 2 m te laten dalen.

“**Reddingsuitrusting**”: individueel valbeveiligingssysteem waarmee een persoon zichzelf kan redden of andere personen kan redden om elke val te verhinderen.

2.2. Pictogrammen



GEVAAR: Geplaatst aan het begin van een regel, geeft instructies om schade aan personen, en in het bijzonder dodelijke, ernstige of lichte verwondingen, en milieuschade te voorkomen.



BELANGRIJK: Geplaatst aan het begin van een regel, geeft instructies om defecten en schade aan uitrusting te voorkomen, die echter geen rechtstreeks gevaar inhouden voor het leven of de gezondheid van de operator of van andere personen en/of die geen milieuschade kunnen veroorzaken.



OPMERKING: Geplaatst aan het begin van een regel, geeft instructies over het verzekeren van de doeltreffendheid of het gebruiksgemak van een installatie, een gebruik of onderhoudswerkzaamheden.

3. Gebruiksvoorwaarden

Controles voor gebruik:

- Controleer de staat van de leiriem over de volledige lengte:
 - de synthetische kabel of de riem mogen geen sporen van schuren, uitrafelen, verbrandingen of insnijdingen vertonen.
 - de metalen kabel mag geen sporen van vouwen, schuren, roest of breuken vertonen.
- Controleer of de leiriem blokkeert als u krachtig rukt aan het uiteinde en of deze goed oprolt en afrolt over de volledige lengte.

- Controleer de staat van de behuizing (geen vervormingen, aanwezigheid van schroeven...).
- Controleer de staat en werking van de connectors: geen zichtbare vervorming, openen, sluiten en blokkeren is mogelijk.
- Controleer de staat van de samenstellende onderdelen, harnas en connectors. De specifieke handleidingen van elk van de producten raadplegen.
- Controleer het volledige valstopsysteem.
- Controleer of de console(s) goed vergrendeld is (zijn) op de benen van de trapode (zie § 4.2.2)
- Controleer of de uitrusting wel degelijk werkt als valstop met automatische retour: opvangtoestel ontkoppeld voor het gebruik.
- Controleer of de leiriem blokkeert als u krachtig rukt aan het uiteinde en of deze goed oprolt en afrolt over de volledige lengte.
- Controleer of de opvangfunctie goed koppelt en ontkoppelt.
- Controleer of de leiriem geblokkeerd wordt door de last die aan zijn uiteinde verbonden is en of deze goed oprolt en afrolt over de volledige lengte door de kruk van de takel te bedienen.

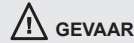
4. Functies en omschrijving

4.1. blocfor™ 20R/30R 150 kg

- De blocfor™ 20R/30R 150 kg valstop met automatische retour is een valstop met automatische retour conform de norm EN 360: zie § 4 van de bijgevoegde handleiding blocfor™ ESD - EN 360.
- Hij is uitgerust met een hijsmiddel naar boven of naar beneden voor reddingsdoeleinden (EN 1496 categorie B): opvangfunctie waarmee de redder de operator na een val kan ophijzen en/of doen dalen. Hij kan
 - verticaal gebruikt worden wanneer hij op een verankeringspunt geïnstalleerd is.
 - schuin gebruikt worden wanneer hij op de trapode-console geïnstalleerd is.
- Dit systeem wordt ontkoppeld wanneer de blocfor™ 150 kg valbeveiliging gebruikt wordt.
- Na een val wordt het blocfor-mechanisme geblokkeerd. Om de operator naar boven of beneden te evacueren, wordt het opvangmechanisme gekoppeld door de vergrendelknop in te drukken en de kruk te bedienen.
- De blocfor™ 20R/30R 150 kg valstop met automatische retour is voorzien van twee handgrepen om zijn onderhoud en zijn gebruik als hijsreddingsmiddel te vergemakkelijken door met één hand de handgreep van de uitrusting vast te houden en de kruk met de andere hand te bedienen.
- Met een specifieke verankeringsconsole kan de blocfor™ 20R/30R 150 kg valstop met automatische retour aan één van de benen van de trapode worden vastgemaakt.
- De reddingsfunctie naar beneden is beperkt tot een daling van maximum 2 m. Boven deze hoogte moet er een afdaaltoestel gebruikt worden dat conform EN 341 is.

4.2. De console

4.2.1 Installatie van de blocfor™ 20R/30R op de console

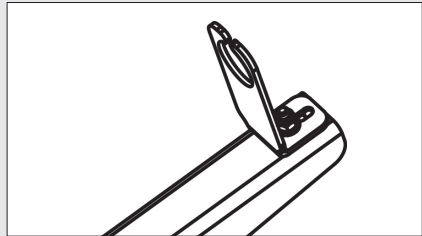


Het is verboden een blocfor™ 20R/30R 150 kg valstop met automatische retour op een andere console dan die van Tractel te installeren.

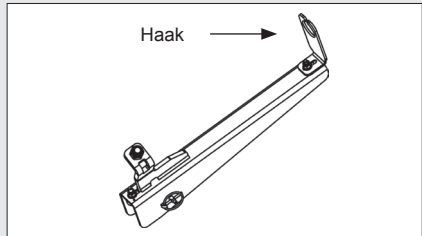
Vorbereiding van de verankeringsconsole

Pas de stand van de haak aan het type blocfor™ aan: 20R of 30R.

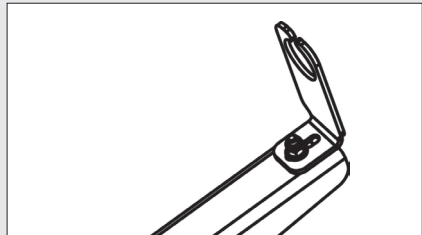
Haakstand voor de B20R



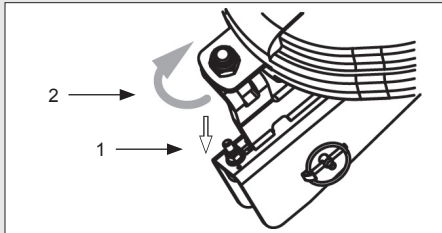
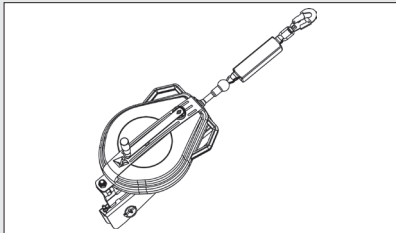
Volledige console



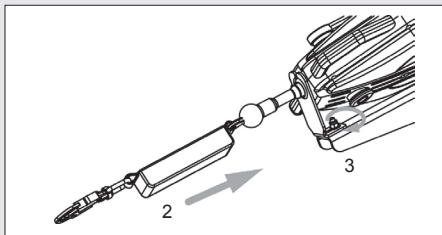
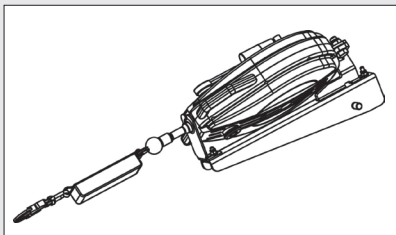
Haakstand voor de B30R



1. Plaats de blocfor™ 20R/30R 150 kg op de schroef van de console (1) schroef daarna de remschroef volledig vast (2)

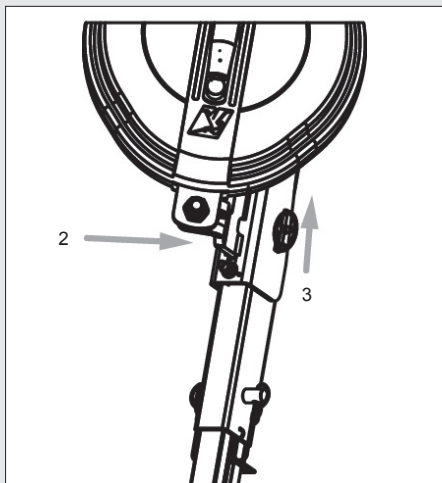
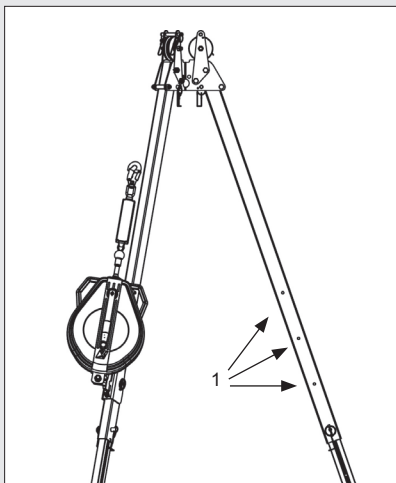


2. Duw de haak om deze op de kabeldoorgang te centreren
3. Schroef de moer van de haak vast



4.2.2 Installatie van het geheel blocfor™ 20R/30R 150 kg en console op de Tracpode

1. Plaats blocfor™ 20R/30R 150 kg op de gewenste hoogte op de tracpode (3 mogelijke posities) (1). Raadpleeg hiervoor de specifieke handleiding van de tracpode.
2. Steek de vergrendelingspen in de console en de voet van de tracpode.
3. Steek de klempin in de vergrendelingspen



4.2.3 Installatie van de blocfor™ 20R/30R 150 kg op een verankeringsstructuur / punt

- Het verankeringspunt van de blocfor™ 20R/30R 150 kg moet zich altijd boven of ter hoogte van de voeten van de operator bevinden, nooit eronder.
- Gebruik een EN 362 connector om de blocfor™ 20R/30R valstop met automatische retour te verbinden met het verankeringspunt of met een structuur met een weerstand van min. 12 kN.

5. Werkingsprincipe

Reddingsoperatie met blocfor™ R

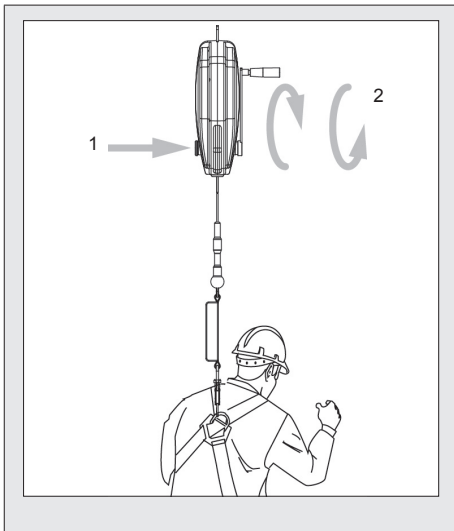


De aanwezigheid van een tweede operator in de buurt is onmisbaar om een eventuele evacuatie uit te voeren.

Er dient een studie gemaakt te worden om de reddingsoperaties en het benodigde personeel en materieel te bepalen, die voorzien moeten worden voor het redden van een slachtoffer binnen een termijn van minder dan 15 minuten. De operator is in gevaar als dit niet binnen deze termijn kan gebeuren.

5.1. Inschakeling van de opvangfunctie

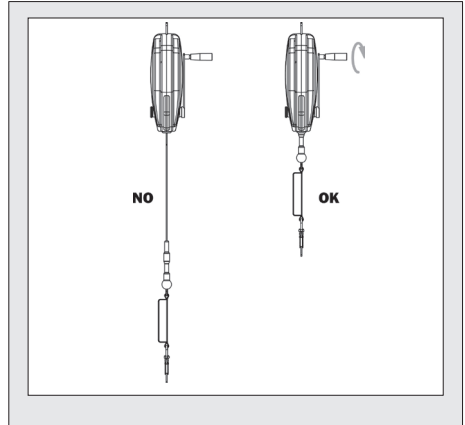
- (1) Druk op de rode vergrendelingsknop om de opvangfunctie in te schakelen.
- (2) Trek en draai daarna aan de kruk op de operator te evacueren:
 - in wijzerzin om te stijgen,
 - in tegenwijzerzin om te dalen.



5.2. Terug naar de valbeveiligingsfunctie

5.2.1 Terug oprollen van de kabel in het toestel

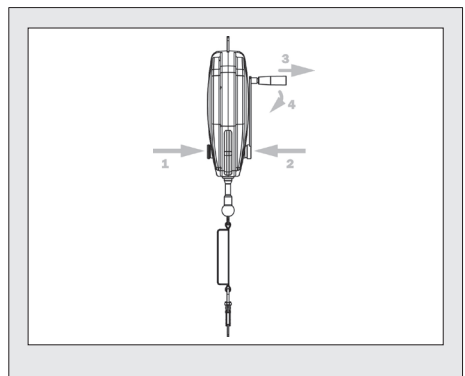
Na de evacuatie, moet de volledige kabel in het toestel opgerold worden door de kruk in wijzerzin te draaien.



Schakel de opvangfunctie van het toestel niet uit indien de kabel niet volledig in het carter is opgerold, anders kan de kabel zichzelf alleen oprollen aan een hoge snelheid.

5.2.2 Ontkoppeling van de opvangfunctie

- Om het takelmechanisme te ontkoppelen moet u tegelijk op de rode knop (1) en op de as van de kruk (2) drukken.
- Zorg ervoor dat de kruk verticaal is geplaatst, met het handvat naar boven om deze operatie te kunnen uitvoeren.
- Trek het handvat (3) naar voor vooraleer het terug te plooiën (4).





Hijsoperatie met blocfor™ R

Elke hijsoperatie met de blocfor™ R is verboden. Het takelsysteem is uitsluitend bedoeld voor reddingsoperaties.

Tijdens elke reddingsfase moet er rechtstreeks of onrechtstreeks visueel contact of elk ander communicatiemiddel zijn tussen de redder en de andere personen die bij de redding betrokken zijn. Voor de reddingsoperaties wordt het gebruik van een comfortabel harnas EN 813 (type Promast™, Vervoer, Redding) of een harnas uitgerust met een reddingsgordel EN 1497 aanbevolen.

6. Contra-indicaties voor gebruik

Het is strikt verboden:

- de blocfor™ valstop met automatische retour te installeren of te gebruiken zonder hiervoor toestemming te hebben, opgeleid te zijn en bevoegd erkend te zijn of, bij gebrek hieraan, zonder onder de verantwoordelijkheid van een competente, opgeleide en bevoegd erkende persoon te zijn.
- de blocfor™ valstop met automatische retour te gebruiken als de markering niet leesbaar is.
- de blocfor™ valstop met automatische retour te installeren of te gebruiken als deze niet op voorhand onderworpen werd aan de controles.
- de blocfor™ valstop met automatische retour te gebruiken indien deze geen periodieke controle heeft ondergaan sinds
- minder dan 12 maanden door een technicus die het gebruik ervan schriftelijk heeft goedgekeurd.
- de blocfor™ valstop met automatische retour te verbinden met een punt dat sinds minstens 12 maanden geen periodieke inspectie heeft ondergaan door een technicus die het gebruik ervan schriftelijk heeft goedgekeurd.
- de blocfor™ valstop met automatische retour te gebruiken voor andere toepassingen dan valbeveiligingen met automatische retour voor personen.
- de blocfor™ valstop met automatische retour met elk ander middel te bevestigen dan met zijn verankeringspunt.
- de blocfor™ valstop met automatische retour te gebruiken op een manier die ingaat tegen de informatie bepaald in paragraaf "15. Levensduur".
- de blocfor™ valstop met automatische retour te gebruiken als valbeveiliging voor meer dan 1 persoon.
- de blocfor™ valstop met automatische retour te gebruiken met een last tussen 100 kg en 150 kg (totale massa van de operator, zijn uitrusting en zijn gereedschap) indien een element van het valbeveiligingssysteem een lagere maximale gebruikslast heeft.
- de blocfor™ valstop met automatische retour te gebruiken te gebruiken indien deze reeds een val heeft gestopt.

- de blocfor™ valstop met automatische retour te gebruiken als ophangmiddel of voor positionering op de werkplek.
- de blocfor™ valstop met automatische retour te gebruiken in een bijzonder corrosieve of explosieve atmosfeer.
- de blocfor™ valstop met automatische retour te gebruiken te gebruiken buiten de temperatuurzone beschreven in deze handleiding.
- de blocfor™ valstop met automatische retour te gebruiken als de vrije hoogte niet voldoende is bij de val van een persoon.
- de blocfor™ valstop met automatische retour te gebruiken als u niet in goede fysieke staat verkeert.
- de blocfor™ valstop met automatische retour te gebruiken in geval van zwangerschap.
- de blocfor™ valstop met automatische retour te gebruiken als de veiligheidsfunctie van één van de hiermee verbonden artikelen aangetast is door de veiligheidsfunctie van een ander artikel of hierop inwerkt.
- de leiriem van de blocfor™ valstop met automatische retour los te laten als deze niet volledig opgerold is (*afbeelding 2.a*).
- de blocfor™ valstop met automatische retour te gebruiken om een last te beveiligen.
- de blocfor™ valstop met automatische retour vast te maken op een structureel verankerpunt waarvan de weerstand minder dan 10 kN bedraagt of als dit verondersteld wordt.
- de blocfor™ valstop met automatische retour te gebruiken voor verticale hoeken die groter zijn dan 20° (*afbeelding 1.c*).
- de leiriem van de blocfor™ valstop met automatische retour te gebruiken als stropmiddel.
- de uitlijning van de blocfor™ valstop met automatische retour te hinderen in verhouding tot de leiriem.
- het vrij op- en afrollen van de leiriem van de blocfor™ valstop met automatische retour te hinderen.
- om over te gaan tot reparatie- of onderhoudswerkzaamheden van de blocfor™ valstop met automatische retour zonder dat hij of zij hiervoor is opgeleid en, schriftelijk, bevoegd is door TRACTEL® (*afbeelding 2.b*).
- de blocfor™ valstop met automatische retour te gebruiken wanneer deze niet volledig is, wanneer deze van te voren gedemonteerd is of wanneer er onderdelen vervangen zijn door een persoon die niet bevoegd verklaard is door TRACTEL®.
- de blocfor™ valstop met automatische retour 20R/30R 150 kg te gebruiken indien de massa van de persoon, inclusief zijn uitrusting en gereedschap, meer dan 150 kg bedraagt.
- een last te heffen met de blocfor™ valstop met automatische retour 20R/30R.
- een kabel slap te maken tijdens een redding naar beneden

7. Installatie

- Het structurele verankerpunt bevindt zich, in de mate van het mogelijke, boven de operator. Het structurele

verankerpunt moet een minimale weerstand van 12 kN hebben.

- De aansluiting op het ankerpunt of op de structuur moet gebeuren aan de hand van een EN 362 connector of met de schroef van de Tractel console die bestemd is voor de blocfor 20 en 30 R.
- Voor de verbinding van het valstopsysteem aan het valstoppharnas, dient u de handleidingen te raadplegen van het harnas en het valstopsysteem om het juiste aankoppelpunt en de juiste koppelmethode te gebruiken.

8. Componenten en materialen

- Kabels: gegalvaniseerd staal.
- Energieabsorptie: PA + PES.
- Carter: PA/ABS of aluminium voor de modellen van 30 m.
- Bevestigingselementen: verzinkt staal.

9. Gekoppelde uitrustingen

Conform de norm EN 363 is de blocfor™ valstop met automatische retour 20R/30R 150 kg in een valbeveiligingssysteem geïntegreerd dat verplicht uitgerust moet zijn met:

- Een verankerung (EN 795).
- Een uiteindeconnector (EN 362).
- Een valbeveiligingssysteem (EN 360) met een hijsmiddel voor reddingsdoeleinden (EN 1496).
- Een connector (EN 362).
- Een harnasgordel (EN 361), (verankeringspunt op de rug aanbevolen).

Alle andere combinaties zijn verboden.

10. Onderhoud en opslag

- Als de blocfor™ valstop met automatische retour vuil is, moet u deze wassen met helder en koud water en eventueel met een wasmiddel voor delicaat textiel; gebruik een synthetische borstel.
- Als, tijdens het gebruik of tijdens een wasbeurt, de blocfor™ valstop met automatische retour nat geworden is, moet u de kabel in de schaduw en beschermd tegen warmtebronnen laten drogen.
- Tijdens het transport en de opslag beschermt u de uitrusting in een vochtbestendige verpakking die tegen elk gevaar bestand is (directe warmtebron, chemische producten, uv-straling, ...).
- Controleer of de koppeling / ont koppeling van het opvangsysteem correct gebeurt.
- Controleer of de kabel over zijn volledige lengte intact is.
- Indien het product beschadigd is, raadpleeg dan Tractel® of één van zijn dealers.

11. Conformiteit van de installatie

Bij deze verklaart de firma TRACTEL SAS, RD 619 – Saint-Hilaire-sous-Romilly – F-10102 Romilly-sur-Seine – France, dat de in deze handleiding beschreven

uitrusting identiek is aan de uitrusting die onderworpen werd aan de testen voor conformiteit met de norm 1496 van 2017 door APAVE SUDEUROPE SAS – CS 60193 – 13322 Marseille – Frankrijk

12. Markering

Omschrijving van de benaming:

B X R ESD Z

B: voor de naam blocfor™

X: het type blocfor™ in het gamma (20 R / 30 R)

R: opvangmodel (hijsmiddel voor reddingsdoeleinden EN 1496)

ESD: algemene term van het gamma

Z: Connectormodel aan de kant van de intrekbare leiriem

Bijvoorbeeld:

B20 R ESD M47

blocfor™ valstop met automatische retour opvang van het gamma ESD type 20, uitgerust met een connector model M47 aan de kant van de intrekbare leiriem.

Het label van elke blocfor™ valstop met automatische retour geeft de volgende elementen aan:

- De commerciële merknaam: TRACTEL®,
- De naam van het product,
- De referentienorm, gevolgd door het jaar van toepassing,
- de referentie van het product
- Het logo CE, gevolgd door het nummer 0082, is het identificatienummer van de instantie die belast is met de productiecontrole.
- Jaar en week van de fabricage,
- Het serienummer,
- een pictogram dat aangeeft dat de handleiding gelezen moet worden voor elk gebruik,
- Maximale gebruikslast,
- Datum van de volgende periodieke inspectie,
- Minimale weerstand van het verankerpunt.

13. Periodieke controle en reparatie

Een jaarlijkse periodieke inspectie is verplicht, maar naar gelang de gebruiksfrequentie, de omgevingsomstandigheden en de regelgeving van het bedrijf of van het land waarin het gebruikt wordt, kan het zijn dat er vaker periodieke inspecties uitgevoerd moeten worden.

De periodieke controles moeten uitgevoerd worden door een bevoegde en bekwaame technicus met inachtneming van de controle-instructies van de fabrikant die opnieuw overgeschreven staan in het bestand "controle-instructies van de PBM Tractel®".

De controle van de leesbaarheid van de markering op het product maakt integraal onderdeel uit van de periodieke inspectie.

Aan het einde van de periodieke inspectie moet de inbedrijfstelling opnieuw schriftelijk bevestigd worden door een bevoegde en bekwame technicus die de periodieke inspectie heeft uitgevoerd. Deze inbedrijfstelling van het product moet geregistreerd worden op het controleblad in het midden van deze handleiding. Dit controleblad moet tijdens de gehele levensduur van het product bewaard worden, totdat het product vervangen wordt.

Nadat dit product een val heeft gestopt, dient deze verplicht aan een periodieke inspectie onderworpen te worden zoals beschreven in dit artikel. De eventuele bestanddelen van textiel moeten verplicht vervangen worden, zelfs wanneer deze geen zichtbare schade hebben opgelopen.

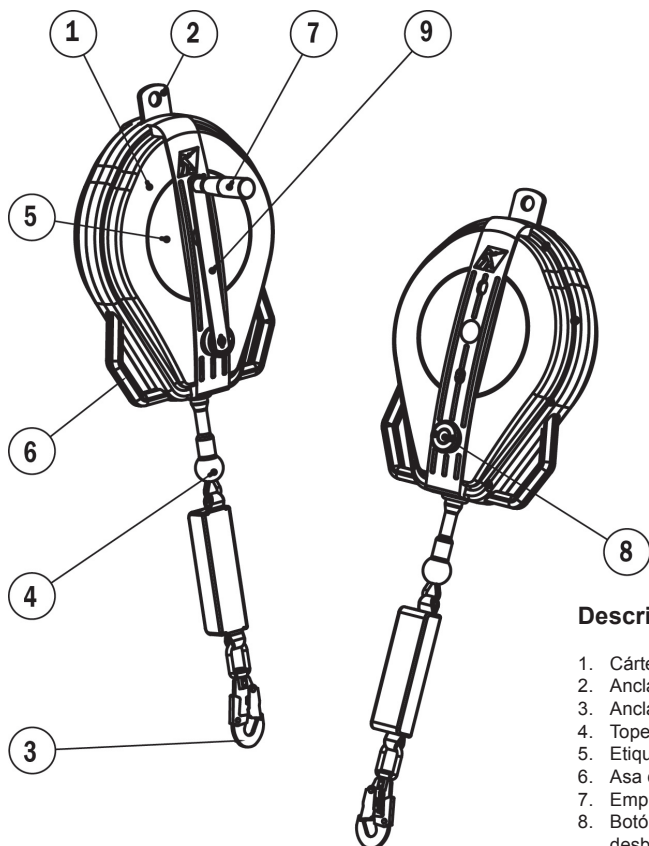
14. Levensduur

De PBM in textiel van TRACTEL® zoals de harnassen, leiriemen, koorden en energieabsorbers, de mechanische PBM van Tractel® zoals de antivalbescherming stopcable™ en stopfor™, de valstoppen met automatische retour zoals de blocfor™, en de levenslijnen van Tractel® kunnen worden gebruikt op voorwaarde dat zij vanaf de productiedatum worden onderworpen aan:

- een normaal gebruik met inachtneming van de gebruiksinstructies uit deze handleiding,
- een periodieke inspectie die tenminste 1 keer per jaar door een bevoegde en bekwame technicus moet worden uitgevoerd. Aan het einde van deze periodieke inspectie moet dit PBM schriftelijk als bedrijfsklaar worden verklaard.
- een strenge naleving van de opslag- en transportvoorwaarden die in deze handleiding staan beschreven.

15. Afdankprocedure

Bij het afdanken van het product is het verplicht de verschillende onderdelen te recyclen door de metalen materialen van de synthetische materialen te scheiden. Deze materialen moeten bij gespecialiseerde organismen gerecycled worden. Bij het afdanken moet de demontage, voor de scheiding van de bestanddelen, uitgevoerd worden door een deskundig persoon.



Descripción:

1. Cáster
2. Anclaje a estructura
3. Anclaje al arnés
4. Tope del cable
5. Etiqueta de señalización
6. Asa de manipulación
7. Empuñadura plegable
8. Botón de bloqueo/desbloqueo
9. Manivela

blocfor™ 20R/30R

Especificaciones técnicas

Normativas: EN 360, EN 1496 clase B

Modelo	blocfor 20R ESD 150 kg	blocfor 30R ESD 150 kg
Peso (kg)	9,34	16
Dimensiones largo x ancho x alto (mm)	400 x 275 x 100	600 x 320 x 130
Longitud del cable de acero galvanizado del dispositivo \varnothing 4,9 mm (m)	18 m	30 m
Fuerza de retracción (N)	25	25
Fuerza de frenado (kN)	5	5
Distancia de frenado (mm)	800	800

Los blocfor son dispositivos anticaídas retráctiles CE, que forman parte del EPI. El certificado de conformidad expedido por APAVE autoriza su uso de acuerdo con las exigencias de la normativa EN 360:2002.

El certificado de conformidad EPI expedido por APAVE excluye las aplicaciones asociadas a otros usos de conformidad con la normativa EN 1496:2017, relativa a sistemas de salvamento mediante izado.

1. Instrucciones prioritarias específicas de los dispositivos de recuperación

1. Antes de utilizar un anticaídas retráctil blocfor™, es indispensable que el usuario lea y comprenda la información que figura en el manual proporcionado por TRACTEL SAS para utilizar el material con total seguridad y sacarle el mayor rendimiento. Este manual debe conservarse y ponerse a disposición de todos los usuarios. Se pueden enviar más ejemplares bajo pedido.
2. Es imprescindible formarse antes de utilizar este material de seguridad. Verifique el estado de los equipos asociados y asegúrese de que la altura libre es la suficiente.
3. El anticaídas retráctil blocfor™ solo lo podrá utilizar una persona formada y competente o un operario bajo la vigilancia de una persona que cumpla las exigencias mencionadas.
4. Si un anticaídas retráctil blocfor™ no está en buen estado aparente o ha sido utilizado para detener una caída, TRACTEL SAS o un técnico competente y habilitado a tal efecto deberá comprobar todo el equipo, así como autorizar por escrito la reutilización del sistema. Se recomienda realizar una inspección visual antes de cada utilización.
5. No se puede hacer ninguna modificación o añadido al equipo sin la previa autorización por escrito de TRACTEL SAS. El equipo debe transportarse y guardarse en su embalaje original.
6. No debe utilizarse ningún anticaídas retráctil blocfor™ que no haya sido sometido a una inspección periódica durante los últimos doce meses o que haya evitado una caída. Solamente podrá volver a usarse cuando un técnico habilitado y competente haga una inspección periódica y autorice por escrito su uso. Si no existe constancia de la mencionada inspección y de la autorización correspondiente, los dispositivos anticaídas retráctiles blocfor™ serán retirados del servicio y destruidos.
7. La carga máxima de utilización del dispositivo anticaídas retráctil blocfor™ es de 150 kg.
8. Si la masa del operario junto con la masa de su equipo y herramientas está comprendida entre 100 y 150 kg, es imperativo asegurarse de que la masa total (operario + equipo + herramientas) no exceda

la carga máxima de utilización de cada uno de los elementos que constituyen el sistema anticaídas.

9. Este equipo está destinado a un uso en obras al aire libre y en rangos de temperatura entre - 35°C y + 60°C. Evite el contacto con bordes afilados, superficies abrasivas y productos químicos.
10. Si tiene que proporcionar este material a una persona asalariada o colaboradora, asegúrese de que cumple con la normativa de trabajo aplicable.
11. El operario debe estar en buenas condiciones físicas y psicológicas cuando utilice el equipo. En caso de duda, consulte a su médico o al médico laboral. Su uso queda prohibido en el caso de las mujeres embarazadas.
12. El equipo no debe utilizarse excediendo sus límites ni en ninguna otra situación diferente a las previstas: cf. "4. Funciones y descripción".
13. Se recomienda suministrar personalmente a cada operario el dispositivo anticaída retráctil blocfor™, especialmente si se trata de personal asalariado.
14. Antes de la utilización de un sistema anticaídas EN 363, el usuario debe asegurarse de que todos los componentes presentan un buen estado de funcionamiento: sistema de seguridad y de bloqueo. Durante la instalación, no debe constatarse degradación de las funciones de seguridad.
15. Siempre que se vaya a utilizar un sistema anticaídas, es esencial que en el lugar de trabajo se compruebe el espacio que queda libre debajo del usuario para que, en caso de caída, no haya riesgo de colisión con el suelo y no haya ningún obstáculo en la trayectoria de caída.
16. En un sistema anticaídas, el único dispositivo de prensión del cuerpo permitido es el arnés anticaídas.
17. Para la seguridad del operario, es esencial que el dispositivo o el punto de anclaje esté instalado correctamente y que el trabajo se realice de manera que se reduzca al mínimo el riesgo de caídas, así como su altura.
18. Por cuestiones de seguridad del operario, si el producto se vende de nuevo fuera del primer país de destino, el distribuidor deberá proporcionar un manual de instrucciones, instrucciones de mantenimiento, instrucciones sobre las inspecciones periódicas e instrucciones sobre las reparaciones a los que debe ser sometido, redactadas en el idioma del país de utilización del equipo.
19. La carga máxima de utilización para el dispositivo anticaídas retráctil blocfor™ 20R/30R es de 150 kg tanto cuando se usa en modo anticaídas (EN 360) como en modo salvamento mediante izado (EN 1496 clase B).
20. Planificación previa de una estrategia de salvamento.

ES

NOTA

Para cualquier aplicación especial, no dude en ponerse en contacto con TRACTEL® S.A.S.

2. Definiciones y pictogramas

2.1. Definiciones

“Usuario”: Persona o servicio responsable de la gestión y de la seguridad de utilización del producto descrito en el manual.

“Técnico”: Persona cualificada a cargo de las operaciones de mantenimiento descritas y permitidas por el manual; se trata de persona competente y familiarizada con el producto.

“Operario”: Persona que interviene en la utilización del producto conforme a la finalidad prevista de este.

“EPI”: Equipos de protección individual anticaídas desde altura.

“Conector”: Elemento de conexión entre componentes de un sistema anticaídas. Cumple con la normativa EN 362.

“Arnés anticaídas”: Dispositivo de prensión del cuerpo destinado a parar las caídas. Este está constituido por correas y hebillas. Dispone de puntos de anclaje anticaídas marcados con una A si pueden usarse individualmente o marcados con una A/2 si deben usarse en combinación con otro punto A/2. Cumple con la normativa EN 361.

“Dispositivo anticaídas retráctil”: Dispositivo anticaídas con función de bloqueo automático y sistema automático de tensión y de retracción de la eslinga retráctil.

“Eslinga retráctil”: Elemento de conexión de un dispositivo anticaídas retráctil. En función del tipo de dispositivo, puede ser de cable metálico, de cinta o de fibras sintéticas.

“Carga máxima de utilización”: Peso máximo del operario uniformado equipado con el EPI correspondiente, las herramientas y los elementos necesarios para llevar a cabo su labor.

“Sistema anticaídas”: Conjunto compuesto por los siguientes elementos:

- Arnés anticaídas.
- Dispositivo anticaídas retráctil, absorbedor de energía, dispositivo anticaídas móvil sobre un soporte de anclaje rígido o dispositivo anticaídas móvil sobre un soporte de anclaje flexible.
- Anclaje.
- Elemento de unión.

“Elemento del sistema anticaídas”: Concepto genérico utilizado para designar alguno de los siguientes elementos:

- Arnés anticaídas.
- Dispositivo anticaídas retráctil, absorbedor de energía, dispositivo anticaídas móvil sobre un soporte de anclaje rígido o dispositivo anticaídas móvil sobre un soporte de anclaje flexible.
- Anclaje.
- Elemento de unión.

“Dispositivo de salvamento mediante izado EN 1496 clase B”: componente o subconjunto de un equipo de salvamento que permite el encabestrado de un operario desde un punto bajo a uno alto gracias a un rescatador y está dotado de una función adicional de descenso de control manual destinado a descender al operario desde una altura limitada de 2 m.

“Equipo de salvamento”: sistema de protección individual contra caídas gracias al cual una persona se puede salvar a si misma o a terceros, impidiendo cualquier tipo de caída.

2.2. Pictogramas



PELIGRO: Al comienzo de una frase, indica que se trata de instrucciones destinadas a evitar daños a las personas, especialmente: heridas mortales, graves o ligeras, así como daños al medio ambiente.



IMPORTANTE: Al comienzo de una frase, indica que se trata de instrucciones destinadas a evitar un fallo o avería de los equipos, pero no implica un peligro directo para la vida o la salud del operario o de otras personas, o que no puede ocasionar daño al medio ambiente.



AVISO: Al comienzo de una frase, indica que se trata de instrucciones destinadas a asegurar la eficacia o la comodidad de una instalación, una utilización o una operación de mantenimiento.

3. Condiciones de utilización

Comprobaciones previas a la utilización:

- Comprobar el estado de la eslinga en su totalidad:
 - El cable sintético o la correa no deben presentar rastros de abrasión, deshilachadura, quemaduras o cortes.
 - El cable metálico no debe presentar signos de pliegue, abrasión, corrosión o hilos cortados.
- Comprobar que la eslinga se bloquea cuando se realiza un tirón seco asíéndola desde el extremo y que se enrolla y desenrolla de manera correcta en su totalidad.

- Comprobar el estado del cárter, prestando atención a elementos como la deformación o la presencia de tornillos.
- Comprobar el estado y el funcionamiento de los conectores, asegurándose de que no exista deformación visible o una posible apertura, cierre o bloqueo.
- Comprobar el estado de los componentes asociados (arnés y conectores). Consultar los manuales específicos de cada uno de los productos.
- Comprobar el sistema anticaídas por completo.
- Comprobar que la/las consolas están bien bloqueadas sobre las patas del *tracpode*TM (ver § 4.2.2)
- Comprobar el estado óptimo del equipo en función anticaída con bloqueo automático (el recuperador debe estar desembragado antes del uso).
- Comprobar que el cable se bloquea cuando se realiza un tirón seco asíendolo desde el extremo y que se enrolla y desenrolla de manera correcta en su totalidad.
- Comprobar que la función de recuperación embraga y desembraga correctamente.
- Comprobar que el cable esté bloqueado por la carga del extremo, así como que se enrolla y desenrolla con normalidad en su totalidad al accionar la manivela del cabestrante.

4. Funciones y descripción

4.1. El blocforTM 20R/30R 150 kg

- El anticaídas retráctil blocforTM 20R/30R 150 kg es un anticaídas retráctil que cumple de con la normativa EN 360 (ver § 4 del manual blocforTM ESD-EN 360 adjunto).
- Este esta equipado de un dispositivo de salvamento mediante izado por elevación o descenso (EN 1496 clase B): función de recuperador que permite al rescatador subir y/o bajar al operario tras la caída. Se puede emplear
 - en vertical cuando está instalado sobre un punto de anclaje.
 - inclinado cuando está instalado sobre el trípode de anclaje tracpodeTM.
- Este dispositivo está desembragado cuando el blocfor está en modo anticaídas.
- Tras una caída, el mecanismo del blocforTM se bloquea. Para evacuar al operario mediante elevación o descenso, embrague el mecanismo de recuperación pulsando el botón de bloqueo y, posteriormente, accione la manivela.
- El anticaídas retráctil blocforTM 20R/30R 150 kg está provisto de dos asas que facilitan su manejo y uso en modo salvamento mediante izado, sujetando con una mano el asa del equipo y con la otra la manivela.
- Una consola de anclaje específica permite fijar el anticaídas retráctil blocforTM 20R/30R 150 kg en un trípode de anclaje tracpodeTM.
- La función de salvamento mediante descenso está limitada a una altura máxima de 2 m. En caso de tratarse de una altura superior, utilice un descensor de conformidad con la normativa EN 341.

4.2. La consola

4.2.1 Instalación del blocforTM 20R/30R sobre la consola



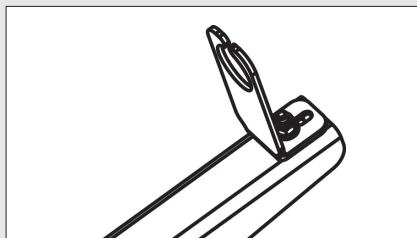
PELIGRO

Queda prohibido instalar un anticaídas retráctil blocforTM 20R/30R 150 kg sobre cualquier otra consola que no sea de Tractel®.

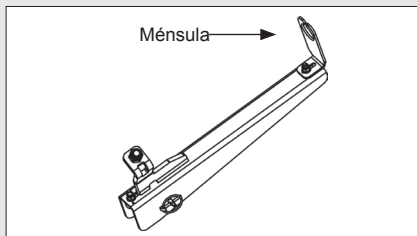
Preparación de la consola de anclaje

Adaptar la posición de la ménsula al tipo de blocforTM: 20R o 30R.

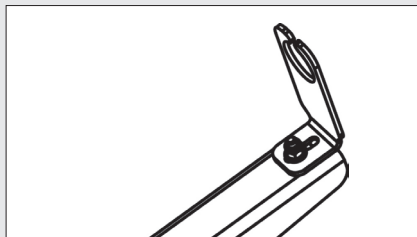
Posición de la ménsula para instalar un B20R



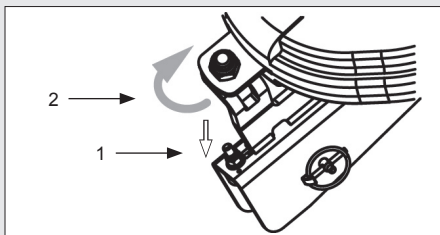
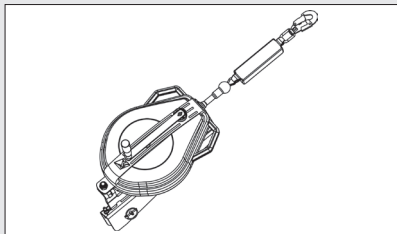
Consola completa



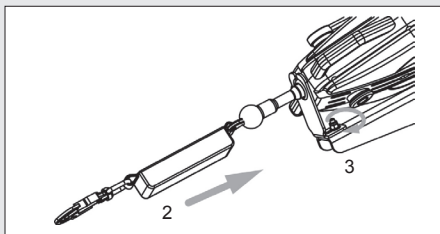
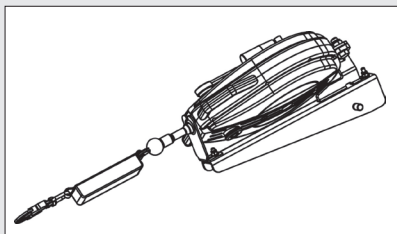
Posición de la ménsula para instalar un B30R



1. Colocar el blocfor™ 20R/30R 150 kg sobre el tornillo de la consola (1) y después atornillar la tuerca con el freno a fondo (2)

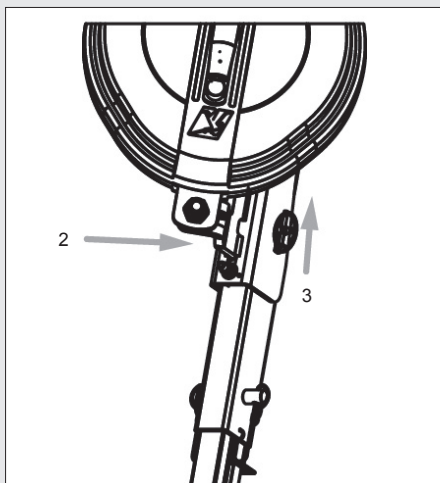
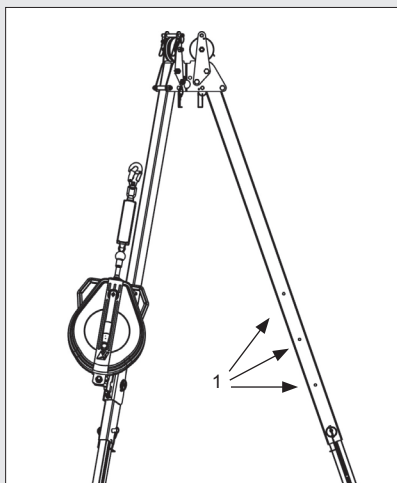


2. Empujar la ménsula para centrarla con el pasacable
3. Ajustar la tuerca de la ménsula



4.2.2 Instalación del conjunto blocfor™ 20R/30R 150 kg y de la consola sobre el trípode de anclaje tracpode™

1. Colocar el blocfor™ 20R/30R 150 kg a la altura deseada sobre el tracpode™ (3 posiciones disponibles) (1). Para ello, consultar el manual de instrucciones específico del tracpode™.
2. Introducir el pasador de bloqueo en la consola y en el pie del tracpode™.
3. Introducir la anilla de seguridad en el extremo del pasador



4.2.3 Instalación del blocfor™ 20R/30R 150 kg a una estructura/un punto de anclaje

- El punto de anclaje del blocfor™ 20R/30R 150 kg siempre debe estar en la parte superior o al nivel de los pies del operario, jamás por debajo.
- Emplear un conector EN 362 para conectar el anticaídas retráctil blocfor™ 20R/30R al punto de anclaje o a una estructura con una resistencia mínima de 12 kN.

5. Principio de funcionamiento

Operación de salvamento con blocfor™ R



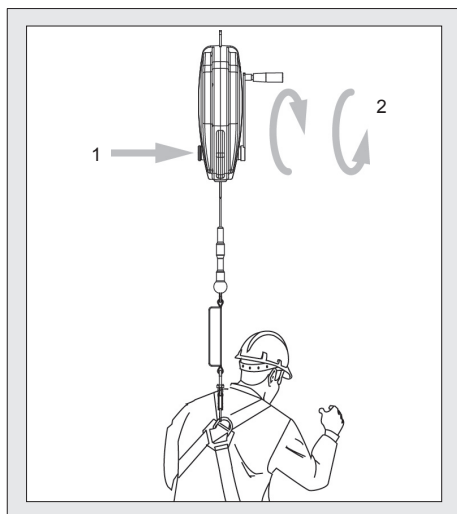
PELIGRO

La presencia de un segundo operario en las proximidades es indispensable para realizar una eventual evacuación.

Las operaciones de rescate deberán haber sido objeto de un estudio programado para definir los medios humanos y materiales necesarios para socorrer a la persona accidentada en un tiempo inferior a 15 minutos. Un plazo de tiempo superior pondría en peligro al operario.

5.1. Puesta en marcha de la función de recuperación

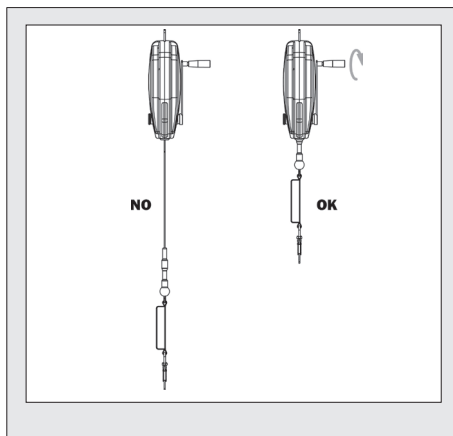
- (1) Pulsar el botón rojo de bloqueo para iniciar la función de recuperación.
- (2) Tirar después de haber girado la manivela para evacuar al operario:
 - en sentido horario para elevar
 - y en sentido contrario al de las agujas del reloj para descender.



5.2. Vuelta a la función anticaídas

5.2.1 Recuperación del cable

Una vez haya finalizado la evacuación, enrollar todo el cable girando la manivela en sentido horario.

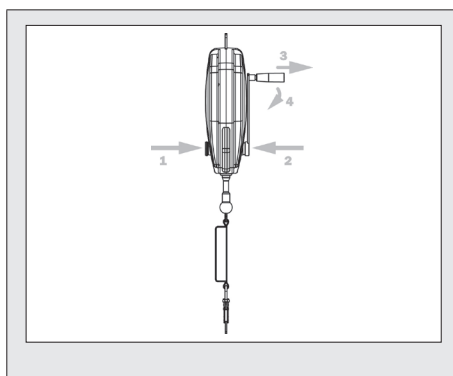


PELIGRO

No desactivar la función de recuperación si no se ha recuperado el cable por completo en el cárter, en caso contrario existe riesgo de que el cable se recoja solo a gran velocidad.

5.2.2 Activación de la función de recuperación

- Para activar el mecanismo del cabestrante, pulsar simultáneamente el botón rojo (1) y ejercer presión sobre el eje de la manivela (2).
- Para poder realizar esta operación, es necesario asegurarse de que la manivela está en posición vertical y la empuñadura hacia arriba.
- Tirar del asa (3) antes de plegarla (4).





PELIGRO

Operación de elevación con blocfor™ R

Toda operación de elevación con blocfor™ R queda prohibida.

El sistema de encabestrado está reservado a las operaciones de salvamento.

Durante toda la fase de salvamento, debe existir un contacto visual directo o indirecto, o cualquier otro medio de comunicación entre el rescatador y las demás personas que intervengan en el rescate. En las operaciones de salvamento, se recomienda el uso de un arnés cómodo EN 813 (tipo Promast™, Transport™, Secours™) o un arnés equipado con lazo de salvamento EN 1497.

6. Contraindicaciones de empleo

Queda terminantemente prohibido:

- instalar o utilizar el anticaídas retráctil blocfor™ sin haber sido autorizado, formado y reconocido como competente o, en su defecto, sin estar bajo la vigilancia de una persona autorizada, formada y reconocida como competente.
- utilizar el anticaídas retráctil blocfor™ si su marcado no es legible.
- instalar o utilizar un anticaídas retráctil blocfor™ que no haya sido sometido a una inspección previa.
- utilizar un anticaídas retráctil blocfor™ que no haya pasado una inspección periódica en los últimos 12 meses por parte de un técnico que haya autorizado su reutilización por escrito.
- conectar el anticaídas retráctil blocfor™ a un punto que no haya pasado la inspección periódica en los últimos 12 meses por parte de un técnico que haya autorizado su reutilización por escrito.
- utilizar el anticaídas retráctil blocfor™ para cualquier otro uso que no sea como dispositivo anticaídas retráctil para personas.
- fijar el anticaídas retráctil blocfor™ de cualquier manera que no sea mediante su punto de anclaje.
- utilizar el anticaídas retráctil blocfor™ en contradicción con la información detallada en el párrafo "15. Vida útil".
- utilizar el anticaídas retráctil blocfor™ como protección anticaídas para más de una persona.
- utilizar un anticaídas retráctil blocfor™ con una carga entre los 100 kg y los 150 kg (masa total del operario, su equipo y herramientas) si al menos un elemento del sistema anticaídas tiene una carga máxima de utilización menor.
- utilizar el anticaídas retráctil blocfor™ si alguien se ha caído con él.
- utilizar el anticaídas retráctil blocfor™ como medio de suspensión o para la sujeción en el puesto de trabajo.
- utilizar el anticaídas retráctil blocfor™ en un entorno altamente corrosivo o explosivo.
- utilizar el anticaídas retráctil blocfor™ fuera del rango de temperatura especificado en el presente manual.

- utilizar el anticaídas retráctil blocfor™ si la altura libre no es suficiente en caso de caída de la persona.
- utilizar el anticaídas retráctil blocfor™ si no se está en plena forma física.
- utilizar el anticaídas retráctil blocfor™ si se trata de una embarazada.
- utilizar el anticaídas retráctil blocfor™ si la función de seguridad de uno de los artículos asociados está afectado por la función de seguridad de otro artículo o interfiere con este.
- dejar la eslinga del anticaídas retráctil blocfor™ cuando esta no está completamente enrollada (*figura 2.a*).
- utilizar el anticaídas retráctil blocfor™ para asegurar una carga de material.
- amarrar el anticaídas retráctil blocfor™ a un punto de anclaje estructural cuya resistencia sea inferior a 10 kN o a la que se le suponga la mencionada resistencia.
- utilizar el anticaídas retráctil blocfor™ en ángulos verticales superiores a 20° (*figura 1.c*).
- utilizar el cable del anticaídas retráctil blocfor™ como medio de eslingado.
- obstaculizar el alineamiento del anticaídas retráctil blocfor™ con respecto al cable.
- obstaculizar el libre desenrollado y enrollado del cable del anticaídas retráctil blocfor™.
- realizar labores de reparación o de mantenimiento del anticaídas retráctil blocfor™ sin haber sido formado y habilitado por escrito por TRACTEL® (*figura 2.b*).
- utilizar el anticaídas retráctil blocfor™ si no está completo, si ha sido desmontado previamente o si algunos componentes han sido sustituidos por una persona no habilitada por Tractel®.
- equipar con el anticaídas retráctil blocfor™ 20R/30R 150 kg a un operario cuya masa, equipo y herramientas superen los 150 kg.
- elevar una carga con el anticaídas retráctil blocfor™ 20R/30R.
- crear una holgura en el cable durante un rescate de descenso.

7. Instalación

- En la medida de lo posible, el punto de anclaje estructural estará por encima del operario. El punto de anclaje estructural debe tener una resistencia mínima de 12 kN.
- La conexión al punto de anclaje o a la estructura debe llevarse a cabo con ayuda de un conector EN 362 o mediante el tornillo de la consola Tractel diseñada para el blocfor 20 y 30 R
- Para la conexión del sistema anticaídas en el arnés anticaídas, consultar los manuales del arnés y del sistema anticaídas con el fin de utilizar el punto de enganche adecuado, así como el método adecuado para engancharse.

8. Componentes y materiales

- Cables: de acero galvanizado

- Absorbedor de energía: PA + PES.
- Cáster: PA/ABS o aluminio en los modelos de 30 m.
- Piezas de fijación: acero galvanizado con zinc.

9. Equipos asociados

De conformidad con lo expuesto en la normativa EN 363, el anticaídas retráctil blocfor™ 20R/30R 150 kg se incluye dentro de un sistema anticaídas, el cual debe incluir obligatoriamente:

- Un anclaje (EN 795).
- Un conector de extremo (EN 362).
- Un sistema anticaídas (EN 360) con dispositivo de salvamento mediante izado (EN 1496).
- Un conector (EN 362).
- Un arnés anticaídas (EN 361), se recomienda un punto de fijación dorsal.

Cualquier otra asociación queda prohibida.

10. Mantenimiento y almacenamiento

- Si un anticaídas retráctil blocfor™ está sucio, hay que lavarlo con agua limpia y fría, y, eventualmente, con un detergente para prendas delicadas; utilizar un cepillo sintético.
- Si durante el uso o el lavado, el anticaídas retráctil blocfor™ se moja, hay que dejarlo secar de manera natural a la sombra y al abrigo de cualquier fuente de calor.
- Durante el transporte y almacenamiento, es preciso proteger el equipo en un embalaje resistente a la humedad contra cualquier riesgo (fuente de calor directa, productos químicos, radiación UV, etc.).
- Comprobar que el embrague/desembrague del sistema de recuperación funciona correctamente.
- Comprobar que no existen daños en la totalidad del cable.
- En caso de contaminación, consulte con Tractel® o de sus comerciales.

11. Conformidad del equipo

El grupo TRACTEL SAS (RD 619–Saint-Hilaire-sous- Romilly–F-10102, Romilly-sur-Seine, Francia) declara por la presente que el equipo de seguridad descrito en este manual se corresponde con el equipo con el que se realizaron las pruebas de conformidad con lo establecido en la normativa EN 1496 de 2017 por APAVE SUDEUROPE SAS (CS 60193 – 13322 Marsella, Francia)

12. Marcado

Descripción de la denominación:

B X R ESD Z

B: por el nombre blocfor™

X: por el tipo de blocfor™ de la gama (20 R/30 R)

R: modelo de recuperación (salvamento mediante izado EN 1496)

ESD: hace referencia al término genérico de la gama

Z: modelo de conector de extremo de eslinga retráctil

Ejemplo:

B20 R ESD M47

Anticaídas retráctil blocfor™ de recuperación, de la gama ESD de tipo 20, equipado de un conector modelo M47 de extremo de eslinga retráctil.

La etiqueta presente en todos los dispositivos anticaídas retráctiles blocfor™ indica:

- La marca comercial: TRACTEL®
- La denominación del producto
- La normativa de referencia seguida del año de aplicación
- La referencia del producto
- El logotipo CE seguido del número 0082, número de identificación del organismo notificado a cargo del control de producción
- Año y semana de fabricación
- El número de serie
- Un pictograma que indica que hay que leer el manual antes de la utilización
- Carga máxima de utilización,
- aa. Fecha del siguiente examen periódico,
- ab. Resistencia mínima del punto de anclaje.

13. Examen periódico y reparación

Es obligatorio realizar un examen periódico anual pero, en función de la frecuencia de utilización, las condiciones ambientales y la normativa de la empresa o del país en el que se use, los exámenes periódicos pueden ser más frecuentes.

Las revisiones periódicas deben ser realizadas por un técnico autorizado y competente que respete el procedimiento de inspección del fabricante transcrito en el archivo "Instrucciones de verificación de los EPI Tractel®".

Comprobar la legibilidad del marcado del producto forma parte del examen periódico.

Al terminar el examen, el técnico habilitado y competente que haya realizado la revisión deberá autorizar su reutilización por escrito. Esta nueva puesta en servicio del producto debe ser registrada en la hoja de control que se encuentra en medio del presente manual. Esta hoja de control ha de ser conservada durante toda la vida del producto y hasta su puesta fuera de servicio.

Este producto deberá ser sometido al examen periódico descrito en este apartado cada vez que se haya usado para detener una caída. Los compuestos textiles del producto deben cambiarse obligatoriamente aunque a primera vista parezcan en buen estado.

14. Vida útil

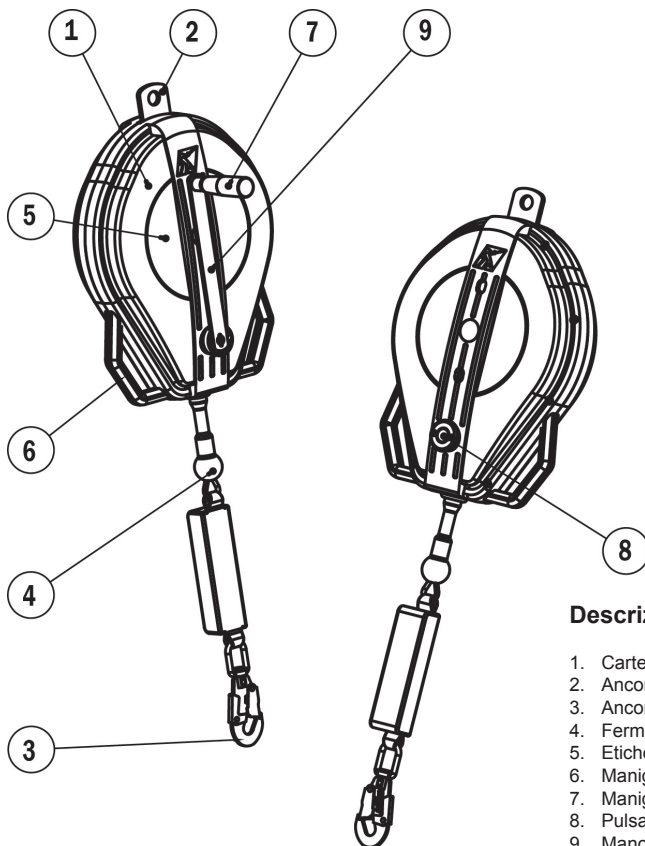
Los EPI textiles TRACTEL®, así como los arneses, correas, cuerdas y absorbedores, los EPI mecánicos Tractel®, los sistemas anticaída Stopcable™ y Stopfor™, los sistemas anticaída retráctiles blocfor™ y las líneas de vida Tractel® pueden ser utilizados siempre y cuando a partir de su fecha de fabricación sean objeto de:

- una utilización normal que respete las recomendaciones de uso descritas en este manual.
- un examen periódico que debe ser realizado como mínimo 1 vez al año por un técnico autorizado y competente. Al final de este examen periódico, se deberá indicar por escrito que el EPI es apto para un nuevo uso.
- el estricto respeto de las condiciones de almacenamiento y de transporte mencionadas en este manual.

15. Desecho

Al realizar la eliminación del producto, es obligatorio reciclar los distintos componentes mediante una clasificación de las materias metálicas y mediante una clasificación de los materiales sintéticos. Estos materiales deben reciclarse ante organismos especializados. Al realizar la eliminación, el desmontaje para la separación de los componentes debe ser realizado por una persona competente.

ES



Descrizione:

1. Carter
2. Ancoraggio su struttura
3. Ancoraggio su imbracatura
4. Fermacavo
5. Etichetta segnaletica
6. Maniglia per manutenzione
7. Maniglia a rientro
8. Pulsante di blocco/sblocco
9. Manovella

blocfor™ 20R/30R

Specifiche tecniche

Norme: EN 360, EN 1496 classe B

Modello	blocfor 20R ESD 150 kg	blocfor 30R ESD 150 kg
Peso (kg)	9,34	16
Dimensioni L x l x A (mm)	400 x 275 x 100	600 x 320 x 130
Lunghezza apparecchio cavo in acciaio galvanizzato Ø 4,9 mm (m)	18 m	30 m
Forza di richiamo (N)	25	25
Forza di frenata (kN)	5	5
Spazio di frenata (mm)	800	800

I blocfor sono dispositivi anticaduta a richiamo automatico CE, coperti dalla direttiva DPI. Il certificato di conformità rilasciato da APAVE copre il loro utilizzo nel rispetto dei requisiti della norma EN 360:2002.

Il certificato di conformità DPI rilasciato da APAVE esclude le applicazioni associate ad altri usi, quali la conformità alla norma EN1496:2017 classe B, sistema di sollevamento per salvataggio.

1. Istruzioni prioritarie specifiche per gli apparecchi del soccorritore

1. Prima di utilizzare un anticaduta blocfor™ a richiamo automatico, è indispensabile, per la sicurezza d'impiego del dispositivo e per la sua efficacia, che l'utilizzatore legga e comprenda le informazioni contenute nel manuale fornito da TRACTEL SAS. Questo manuale deve essere tenuto a disposizione di ogni utilizzatore. Copie supplementari possono essere fornite su richiesta.
2. Prima dell'utilizzo di questo dispositivo di sicurezza è indispensabile avere ricevuto un addestramento per il suo corretto impiego. Verificare lo stato degli equipaggiamenti associati e accertarsi che l'altezza libera sia sufficiente.
3. L'anticaduta a richiamo automatico blocfor™ può essere utilizzato da una sola persona addestrata e competente, o sotto la sorveglianza di detta persona.
4. Se un anticaduta a richiamo automatico blocfor™ non è apparentemente in buono stato o se è servito ad arrestare una caduta, l'insieme del dispositivo dovrà essere verificato da TRACTEL SAS o da persona qualificata che dovrà autorizzare per iscritto il riutilizzo del sistema. Si raccomanda un controllo visivo prima di ogni utilizzo.
5. Non è possibile effettuare modifiche o aggiunte al dispositivo senza un previo consenso scritto di TRACTEL SAS. Il dispositivo deve essere trasportato e stoccato nel suo imballaggio d'origine.
6. Qualsiasi anticaduta a richiamo automatico blocfor™ che non è stato oggetto di una verifica periodica durante gli ultimi dodici mesi o che ha arrestato una caduta, non deve essere utilizzato. Esso potrà essere utilizzato di nuovo solo dopo una ulteriore revisione periodica eseguita da un tecnico abilitato e competente che autorizzerà per iscritto il suo utilizzo. In assenza di tali verifiche e autorizzazioni, l'anticaduta a richiamo automatico blocfor™ sarà scartato e distrutto.
7. Il carico massimo di utilizzo è di 150 kg per l'anticaduta a richiamo automatico blocfor™.
8. Se la massa dell'operatore sommata alla massa del suo dispositivo e degli utensili è compresa tra 100 kg e 150 kg è tassativo accertarsi che questa massa totale (operatore + dispositivo + utensili) non superi il

carico massimo di utilizzo di ciascuno degli elementi che costituiscono il sistema di arresto delle cadute.

9. Questo dispositivo è adatto per l'utilizzo in cantieri all'aperto e per una fascia di temperatura compresa tra -35°C e +60°C. Evitare qualsiasi contatto con spigoli vivi, superfici abrasive, prodotti chimici.
10. Se si deve affidare questo materiale a personale dipendente o assimilato, è necessario attenersi alla normativa sul lavoro in vigore.
11. L'operatore deve essere in piena forma fisica e psicologica durante l'utilizzo del dispositivo. In caso di dubbio consultare il proprio medico o il medico del lavoro. È vietato l'utilizzo a donne in stato di gravidanza.
12. Il dispositivo non deve essere utilizzato oltre i suoi limiti, o in situazioni diverse da quelle per cui è previsto: cfr. il paragrafo 4, Funzioni e descrizione.
13. Si raccomanda di attribuire personalmente l'anticaduta a richiamo automatico blocfor™ a ciascun utilizzatore, in modo particolare se si tratta di personale dipendente.
14. Prima dell'utilizzo di un sistema di arresto delle cadute EN 363, l'utilizzatore deve accertarsi che ciascuno dei componenti sia in buone condizioni di funzionamento: sistema di sicurezza, bloccaggio. Al momento dell'installazione non deve esistere un deterioramento delle funzioni di sicurezza.
15. In un sistema di arresto di cadute, è indispensabile verificare lo spazio libero al di sotto dell'operatore sul luogo di lavoro prima di ogni utilizzo, in modo che, in caso di caduta, non vi sia rischio di collisione col suolo, né presenza di ostacoli sulla traiettoria della stessa.
16. Un'imbracatura anticaduta è l'unico dispositivo di presa del corpo che sia consentito utilizzare in un sistema di arresto delle cadute.
17. È essenziale, per la sicurezza dell'operatore, che il dispositivo oppure che il punto di ancoraggio siano correttamente posizionati e che il lavoro sia effettuato in modo da ridurre al minimo il rischio di cadute ed anche l'altezza relativa.
18. Per la sicurezza dell'operatore, se il prodotto viene rivenduto al di fuori del primo paese di destinazione, il rivenditore dovrà fornire: le istruzioni per l'uso, le istruzioni per la manutenzione, per le verifiche periodiche e le riparazioni redatte nella lingua del paese di utilizzo del prodotto.
19. Il carico di lavoro massimo per il dispositivo anticaduta a richiamo automatico blocfor™ 20R/30R è di 150 kg, sia in caso di uso come anticaduta (EN 360) che in caso di salvataggio mediante sollevamento (EN1496:2017 classe B).
20. È obbligatorio avere predisposto un piano di salvataggio specifico in caso di caduta.



NOTA

Per qualunque applicazione speciale, si raccomanda di contattare TRACTEL® SAS.

2. Definizioni e pittogrammi

2.1. Definizioni

“Utilizzatore”: Persona o servizio responsabile della gestione e della sicurezza di utilizzo del prodotto descritto nel manuale.

“Tecnico”: Persona qualificata, incaricata delle operazioni di manutenzione descritte e autorizzate all'utilizzatore dal manuale, che è competente e conosce bene il prodotto.

“Operatore”: Persona che opera nell'utilizzazione del prodotto, conformemente alla destinazione dello stesso.

“DPI”: Dispositivo di protezione individuale contro le cadute dall'alto.

“Connettore”: Elemento di collegamento tra componenti di un sistema di arresto delle cadute. È conforme alla norma EN 362.

“Imbracatura anticaduta”: Dispositivo di presa del corpo destinato ad arrestare le cadute. È costituito da cinghie e fibbie. Comporta dei punti di aggancio anticaduta contrassegnati con una A, se possono essere utilizzati da soli, oppure con A/2, se devono essere utilizzati insieme a un altro punto A/2. È conforme alla norma EN 361.

“Anticaduta a richiamo automatico”: Un anticaduta dotato di funzione di blocco automatico e di un sistema automatico di tensionamento e richiamo del cordino retraibile.

“Cordino retraibile”: Elemento di connessione di un dispositivo anticaduta a richiamo automatico. Può essere un cavo metallico, una cinghia o di fibre sintetiche, a seconda del tipo di apparecchio.

“Carico massimo di utilizzo”: Massa massima dell'operatore vestito, equipaggiato con i suoi DPI, con il suo abbigliamento da lavoro, i suoi utensili e i componenti di cui ha bisogno per realizzare il suo intervento.

“Sistema di arresto delle cadute”: Insieme composto dai seguenti elementi:

- Imbracatura anticaduta.
- Anticaduta a richiamo automatico o dissipatore di energia o anticaduta mobile su supporto di ancoraggio rigido, o anticaduta mobile su supporto di ancoraggio flessibile.
- Ancoraggio.
- Elemento di collegamento.

“Elemento del sistema di arresto delle cadute”: Termine generico che definisce uno dei seguenti elementi:

- Imbracatura anticaduta.
- Anticaduta a richiamo automatico o dissipatore di energia o anticaduta mobile su supporto di ancoraggio rigido, o anticaduta mobile su supporto di ancoraggio flessibile.
- Ancoraggio.
- Elemento di collegamento.

“Dispositivo di sollevamento per salvataggio di EN1496:2017 classe B”: un componente o un sottosistema di attrezzature di salvataggio che consente di sollevare mediante un verricello un operatore con l'ausilio di un soccorritore da un punto più basso a un punto più alto e dotato di una funzione di discesa supplementare a comando manuale, per calare l'operatore su distanze limitate a 2 metri.

“Attrezzatura di salvataggio”: un sistema di protezione individuale contro le cadute mediante il quale un individuo può salvare se stesso o altri, impedendo qualsiasi caduta.

2.2. Pittogrammi



PERICOLO: Posto all'inizio della linea, indica delle istruzioni destinate ad evitare danni alle persone, in particolar modo, ferite mortali, gravi o leggere, ed anche danni all'ambiente.



IMPORTANTE: Posto all'inizio della linea, indica delle istruzioni destinate ad evitare un mancato funzionamento oppure un danno degli equipaggiamenti, ma che non mette direttamente in pericolo la vita oppure la salute dell'operatore o la vita di altre persone, e/o che non è suscettibile di causare danni all'ambiente.



NOTA: Posto all'inizio della linea, indica delle istruzioni destinate ad assicurare l'efficacia oppure la comodità di un'installazione, di un'utilizzazione oppure di un'operazione di manutenzione.

3. Condizioni di utilizzo

Da verificare prima dell'utilizzo:

- Verificare le condizioni del cordino su tutta la sua lunghezza:
 - Il cavo sintetico o la cinghia non devono presentare tracce di abrasione, di sfilacciatura, di bruciature, di tagli.
 - Il cavo metallico non deve presentare tracce di flessione, abrasione, corrosione o fili tagliati.
- Verificare che il cordino si blocchi quando l'estremità viene tirata bruscamente e che si arrotoli e srotoli normalmente per tutta la sua lunghezza.

- Verificare lo stato del carter (assenza di deformazioni, presenza di viti, ecc.).
- Verificare lo stato e il funzionamento dei connettori: assenza di deformazioni visibili, possibilità di apertura, chiusura e bloccaggio.
- Verificare il buono stato dei dispositivi associati, imbracature e connettori. Fare riferimento ai manuali specifici di ciascuno dei prodotti.
- Verificare il sistema di arresto cadute nella sua interezza.
- Verificare che la/le piastre siano ben fissate sulle gambe del trapod (cfr. § 4.2.2)
- Verificare che l'apparecchiatura si trovi in funzione anticaduta a richiamo automatico: il dispositivo di recupero non è innestato prima dell'uso.
- Verificare che il cordino si blocchi quando l'estremità viene tirata bruscamente e che si arrotoli e srotoli normalmente per tutta la sua lunghezza.
- Verificare che il funzionamento del dispositivo di recupero si inserisca e disinserisca correttamente.
- Verificare che il cordino sia bloccato dal carico collegato alla sua estremità e che si arrotoli e srotoli normalmente per tutta la sua lunghezza azionando la manovella del verricello.

4. Funzioni e descrizione

4.1. blocfor™ 20R/30R 150 kg

- L'anticaduta a richiamo automatico blocfor™ 20R/30R 150 kg è un dispositivo anticaduta con ritorno automatico conforme alla norma EN 360: cfr. § 4 delle istruzioni allegate di blocfor™ ESD - EN 360.
- È dotato di un dispositivo di soccorso per sollevamento o abbassamento (EN 1496 classe B): funzione di recupero che consente al soccorritore di far salire e/o scendere l'operatore dopo una caduta. Può essere utilizzato
 - verticalmente quando è installato su un punto di ancoraggio.
 - in posizione inclinata se installato sulla piastra di un trapod.
- Questo dispositivo si disinserisce quando il blocfor viene utilizzato come anticaduta.
- Dopo una caduta, il meccanismo a forcella si blocca. Per evacuare l'operatore verso l'alto o verso il basso, azionare il meccanismo di recupero premendo il pulsante di blocco, e quindi azionare la manovella.
- Il dispositivo anticaduta a richiamo automatico blocfor™ 20R/30R 150 kg è dotato di due maniglie, che ne facilitano la manutenzione e l'uso in situazioni di soccorso tramite sollevamento: con una mano si impugna la maniglia dell'attrezzatura e con l'altra la manovella.
- È possibile fissare l'anticaduta a richiamo automatico blocfor™ 20R/30R 150 kg a una delle gambe del trapode utilizzando una piastra di ancoraggio apposita.
- La funzione di salvataggio verso il basso è limitata a una discesa massima di 2 m. Per altezze superiori, utilizzare un discensore conforme alla norma EN 341.

4.2. La piastra

4.2.1 Installazione di blocfor™ 20R/30R sulla piastra

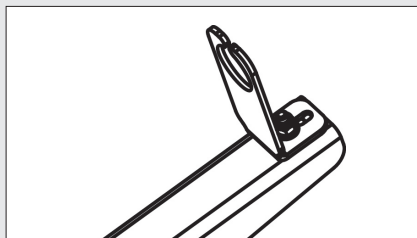


È vietato installare un anticaduta a richiamo automatico blocfor™ 20R/30R 150 kg su una piastra diversa da quella di Tractel.

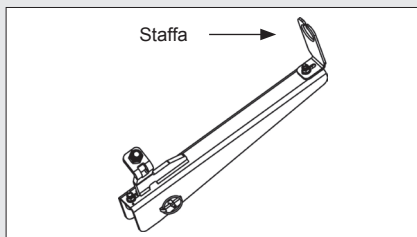
Preparazione della piastra di ancoraggio

Adattare la posizione della piastra al tipo di blocfor™: 20R o 30R.

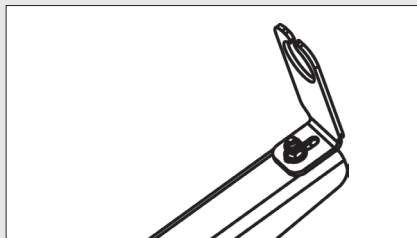
Posizione della staffa per il B20R



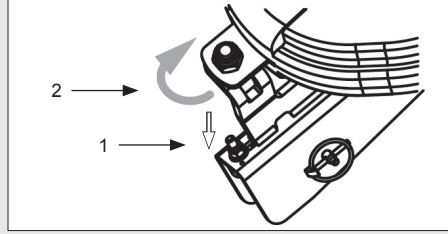
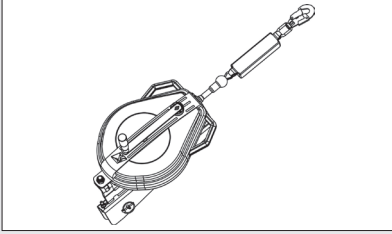
Piastra completa



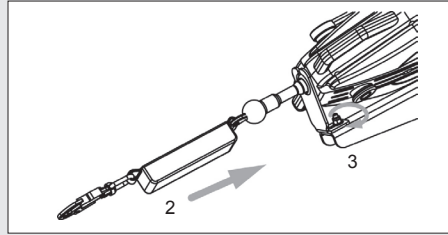
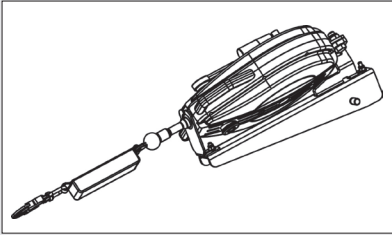
Posizione della staffa per il B30R



1. Posizionare il blocfor™ 20R/30R 150 kg sulla vite della piastra (1), quindi serrare a fondo il controdado (2)

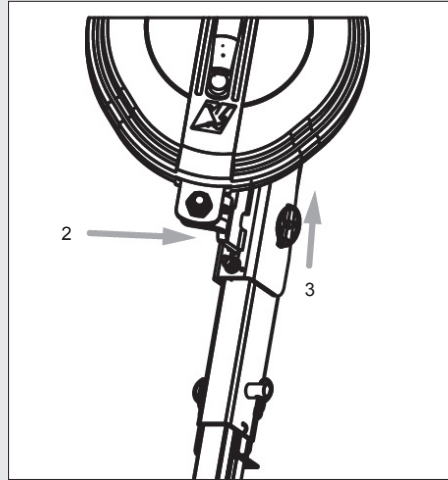
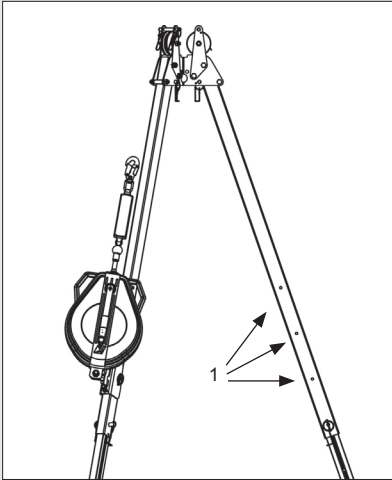


2. Spingere la staffa per centrarla sul passacavo
3. Serrare il dado della staffa



4.2.2 Installazione dell'unità blocfor™ 20R/30R 150 kg e della piastra sul Tracpode

1. Posizionare il blocfor™ 20R/30R 150 kg all'altezza desiderata sul tracpode (3 posizioni possibili) (1). Per farlo, consultare il manuale specifico del tracpode.
2. Inserire il perno di bloccaggio nella piastra e nel piede del tracpod.
3. Inserire la spina a clip nel perno di bloccaggio

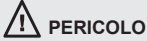


4.2.3 Installazione del blocfor™ 20R/30R 150 kg su una struttura / un punto di ancoraggio

- Il punto di ancoraggio del blocfor™ 20R/30R 150 kg deve trovarsi sempre al di sopra o al livello dei piedi dell'operatore, mai al di sotto.
- Utilizzare un connettore EN 362 per collegare l'anticaduta a richiamo automatico blocfor™ 20R/30R al punto di ancoraggio o a una struttura con resistenza minima di 12 kN.

5. Principio di funzionamento

Operazione di salvataggio con blocfor™ R



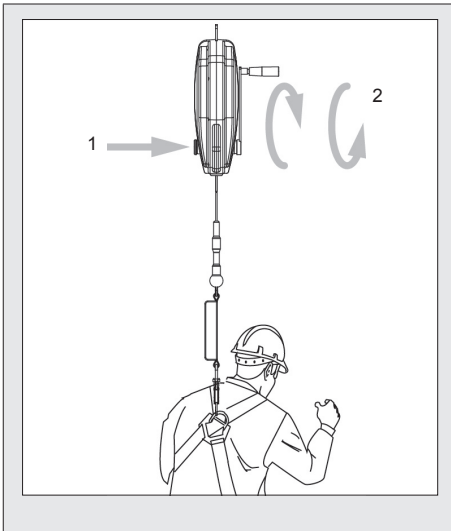
PERICOLO

La presenza di un secondo operatore nelle vicinanze è indispensabile per effettuare un'eventuale evacuazione.

Le operazioni di soccorso devono essere state oggetto di uno studio pianificato, al fine di definire i mezzi umani e materiali da prevedere per soccorrere la persona incidentata in meno di 15 minuti. Oltrepassato questo limite, l'operatore è in pericolo.

5.1. Attivazione della funzione di recupero

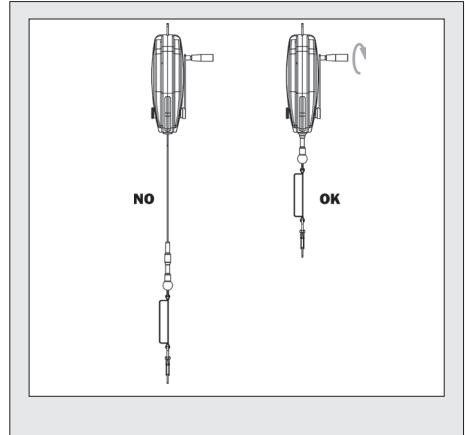
- (1) Premere il pulsante rosso di blocco per attivare la funzione di recupero.
- (2) Tirare e ruotare la manovella per evacuare l'operatore:
 - in senso orario per farlo salire,
 - in senso antiorario per farlo scendere.



5.2. Ritorno alla funzione anticaduta

5.2.1 Riavvolgimento del cavo nell'apparecchio

Quando l'evacuazione è completa, avvolgere l'intero cavo nell'unità ruotando la manovella in senso orario.

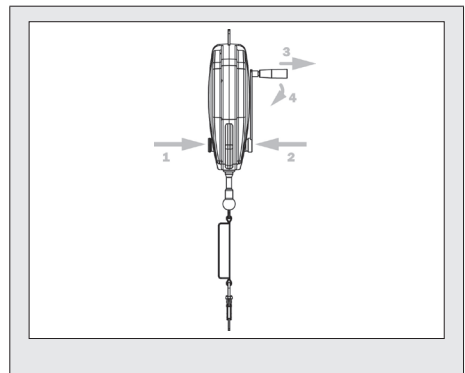


PERICOLO

Non disinserire la funzione di recupero dell'apparecchio se il cavo non è completamente avvolto nel carter: se così fosse, il cavo rischia di riavvolgersi autonomamente, ad alta velocità.

5.2.2 Disattivazione della funzione di recupero

- Per disinnestare il meccanismo dell'argano, premere contemporaneamente il pulsante rosso (1) e l'asse della manovella (2).
- Assicurarsi che la manovella sia posizionata verticalmente con l'impugnatura rivolta verso l'alto, in modo da poter eseguire questa operazione.
- Tirare l'impugnatura (3) prima di ripiegarla (4).





PERICOLO

Operazioni di sollevamento con blocfor™ R

È vietata qualsiasi operazione di sollevamento con il blocfor™ R.

Il sistema ad argano è destinato esclusivamente alle operazioni di salvataggio.

Durante l'intera fase di salvataggio, deve esserci un contatto visivo diretto o indiretto o qualsiasi altro mezzo di comunicazione tra il soccorritore e le altre persone coinvolte nel soccorso.

Per le operazioni di soccorso, si raccomanda l'uso di un'imbracatura comoda EN 813 (tipo Promast™, trasporto, soccorso) o di un'imbracatura dotata di bretella di soccorso EN 1497.

6. Controindicazioni d'impiego

È tassativamente vietato:

- installare o utilizzare l'anticaduta a richiamo automatico blocfor™ senza essere stati autorizzati, formati e riconosciuti competenti, o, in mancanza di queste condizioni, senza operare sotto la responsabilità di una persona autorizzata, formata e riconosciuta competente.
- utilizzare l'anticaduta a richiamo automatico blocfor™ se la sua marcatura non è leggibile.
- installare o utilizzare un'anticaduta a richiamo automatico blocfor™ che non sia stato oggetto di verifiche preventive.
- utilizzare un'anticaduta a richiamo automatico blocfor™ che non sia stato sottoposto a un esame periodico, da meno di 12 mesi, da un tecnico che ne abbia autorizzato il riutilizzo per iscritto.
- collegare l'anticaduta a richiamo automatico blocfor™ a un punto che non abbia fatto l'oggetto di un revisione periodica, da meno di 12 mesi, da parte di un tecnico che ne abbia autorizzato il riutilizzo per iscritto.
- utilizzare l'anticaduta a richiamo automatico blocfor™ per qualunque applicazione diversa da quella di anticaduta delle persone.
- fissare l'anticaduta a richiamo automatico blocfor™ con qualsiasi mezzo diverso dal suo punto di ancoraggio.
- utilizzare l'anticaduta a richiamo automatico blocfor™ in contraddizione con le informazioni riportate nel paragrafo 15, Durata di vita.
- utilizzare l'anticaduta a richiamo automatico blocfor™ come protezione anticaduta per più di 1 persona.
- utilizzare un'anticaduta a richiamo automatico blocfor™ con un carico compreso fra 100 kg e 150 kg (massa totale dell'utilizzatore, del suo equipaggiamento e dei suoi utensili) se un elemento del sistema di arresto delle cadute ha un carico massimo di utilizzo più basso.
- utilizzare l'anticaduta a richiamo automatico blocfor™ se ha subito la caduta di una persona.
- utilizzare l'anticaduta anticaduta a richiamo automatico blocfor™ come mezzo di sospensione o di trattenuta.

- utilizzare l'anticaduta a richiamo automatico blocfor™ in atmosfera fortemente corrosiva o esplosiva.
- utilizzare l'anticaduta a richiamo automatico blocfor™ al di fuori della fascia di temperatura specificata nel presente manuale.
- utilizzare l'anticaduta a richiamo automatico blocfor™ se il tirante d'aria non è sufficiente in caso di caduta della persona.
- utilizzare l'anticaduta a richiamo automatico blocfor™ se non si è in piena forma fisica.
- utilizzare l'anticaduta a richiamo automatico blocfor™ in gravidanza.
- utilizzare l'anticaduta a richiamo automatico blocfor™ se la funzione di sicurezza di uno degli articoli associati è compromessa dalla funzione di sicurezza di un altro componente o interferisce con quest'ultima.
- sbloccare il cordino dell'anticaduta a richiamo automatico blocfor™ se non è completamente arrotolato (*Figura 2.a*).
- utilizzare l'anticaduta a richiamo automatico blocfor™ per mettere in sicurezza un carico di materiale.
- agganciare l'anticaduta a richiamo automatico blocfor™ a un punto di ancoraggio strutturale la cui resistenza sia inferiore a 10 kN o supposta come tale.
- utilizzare l'anticaduta a richiamo automatico blocfor™ per angoli verticali superiori a 20° (*figura 1.c*).
- utilizzare il cordino dell'anticaduta a richiamo automatico blocfor™ come mezzo d'imbracatura.
- ostacolare l'allineamento dell'anticaduta a richiamo automatico blocfor™ rispetto al cordino.
- interferire con lo svolgimento e l'avvolgimento libero del cordino dell'anticaduta a richiamo automatico blocfor™.
- procedere con operazioni di riparazione o di manutenzione dell'anticaduta a richiamo automatico blocfor™ senza essere stati formati e abilitati, per iscritto, da TRACTEL® (*figura 2.b*).
- utilizzare l'anticaduta a richiamo automatico blocfor™ se non è completo, se è stato preventivamente smontato o se alcuni componenti sono stati sostituiti da personale non autorizzato da TRACTEL®.
- utilizzare l'anticaduta a richiamo automatico blocfor™ 20R/30R 150 kg da parte di un operatore la cui massa, attrezzatura e utensili compresi, è superiore a 150 kg.
- sollevare un carico con l'anticaduta a richiamo automatico blocfor™ 20R/30R.
- creare una situazione di corda allentata durante il salvataggio verso il basso.

7. Installazione

- Nella misura del possibile, il punto di ancoraggio strutturale dovrà essere al di sopra dell'operatore. Il punto di ancoraggio deve presentare una resistenza minima di 12 kN.
- La connessione al punto di ancoraggio o alla struttura deve avvenire per mezzo di un connettore EN 362 o mediante la vite della piastra tractel destinata al blocfor 20 e 30 R.

- Per il collegamento del sistema anticaduta all'imbracatura anticaduta, fare riferimento ai manuali dell'imbracatura e del sistema anticaduta, al fine di utilizzare sia l'esatto punto di aggancio, sia il sistema di aggancio più appropriato.

8. Componenti e materiali

- Cavi: acciaio galvanizzato.
- Dissipatore di energia: PA + PES.
- Carter: PA/ABS o alluminio per i modelli da 30 m.
- Parti appese: acciaio zincato.

9. Dispositivi associati

Come previsto dalla norma EN 363, l'anticaduta a richiamo automatico blocfor™ 20R/30R 150 kg è integrato in un sistema di arresto delle cadute che deve obbligatoriamente comprendere:

- Un ancoraggio (EN 795).
- Un connettore di estremità (EN 362).
- Un sistema anticaduta (EN 360) con dispositivo di salvataggio per sollevamento (EN 1496).
- Un connettore (EN 362).
- Un'imbracatura anticaduta (EN 361), (si consiglia un punto di fissaggio dorsale).

È vietata qualsiasi altra associazione.

10. Manutenzione e stoccaggio

- Se l'anticaduta a richiamo automatico blocfor™ è sporco, lavarlo con acqua pulita e fredda utilizzando eventualmente un detersivo per tessuti delicati; usare una spazzola sintetica.
- Se durante l'utilizzo o il lavaggio, l'anticaduta a richiamo automatico blocfor™ viene bagnato, farlo asciugare naturalmente all'ombra, lontano da qualunque fonte di calore.
- Durante il trasporto e lo stoccaggio, proteggere il dispositivo all'interno di un imballo resistente all'umidità, contro qualsiasi pericolo (fonti di calore diretto, prodotti chimici, UV, ecc.).
- Controllare che l'innesto/disinnesto del sistema di recupero avvenga correttamente.
- Controllare che il cavo non sia danneggiato per tutta la sua lunghezza.
- In caso di contaminazione del prodotto, consultare Tractel® o uno dei suoi rivenditori.

11. Conformità del dispositivo

TRACTEL SAS RD 619 - Saint-Hilaire-sous-Romilly - F-10102 Romilly-sur-Seine, Francia, dichiara che i dispositivi di sicurezza descritti nel presente manuale sono identici ai dispositivi che sono stati testati in conformità alla norma EN1496:2017 classe B da APAVE SUDEUROPE SAS - CS 60193 - 13322 Marsiglia - Francia.

12. Marcatura

Descrizione della denominazione:

B X R ESD Z

B: per il nome blocfor™

X: il tipo di blocfor™ della gamma (20 R / 30 R)

R: Modello dispositivo di recupero (salvataggio per sollevamento EN 1496)

ESD: termine generico della gamma

Z: Modello di connettore lato cordino retrattile

Esempio:

B20 R ESD M47

Anticaduta a richiamo automatico blocfor™ dispositivo di recupero della serie ESD, tipo 20, dotato di connettore modello M47 lato cordino retrattile.

L'etichetta di ciascun anticaduta a richiamo automatico blocfor™ indica:

- il marchio commerciale: TRACTEL®,
- la denominazione del prodotto,
- la norma di riferimento seguita dall'anno di applicazione,
- il riferimento del prodotto:
- il logo CE seguito dal n° 0082, numero dell'ente notificato incaricato del controllo di produzione,
- anno e settimana di fabbricazione,
- il numero di serie,
- un simbolo che segnala che occorre leggere le istruzioni prima dell'utilizzo,
- il carico massimo di utilizzo,
- la data della verifica periodica successiva,
- la resistenza minima del punto di ancoraggio.

13. Revisione periodica e riparazione

È obbligatoria una revisione periodica annuale ma, a seconda della frequenza di utilizzo, delle condizioni ambientali e del regolamento dell'azienda o del paese di utilizzo, le revisioni periodiche possono essere più frequenti.

Le verifiche periodiche devono essere effettuate da personale abilitato e competente e nel rispetto delle modalità operative di verifica del costruttore ritrascritte nel file "Istruzioni di verifica dei DPI TRACTEL®".

La verifica della leggibilità della marcatura sul prodotto è parte integrante della revisione periodica.

Dopo ogni verifica periodica, la rimessa in servizio deve essere notificata per iscritto dal tecnico abilitato e competente che ha eseguito la verifica periodica. Questa rimessa in servizio del prodotto deve essere

registrata sul foglio di controllo che si trova al centro del presente manuale. Questo foglio di controllo deve essere conservato durante tutta la durata di vita del prodotto fino al suo smaltimento.

Dopo avere arrestato una caduta, il presente prodotto deve essere obbligatoriamente oggetto di una revisione periodica come descritto nel presente articolo. Gli eventuali componenti tessili devono essere obbligatoriamente sostituiti, anche se non presentano nessuna alterazione visibile.

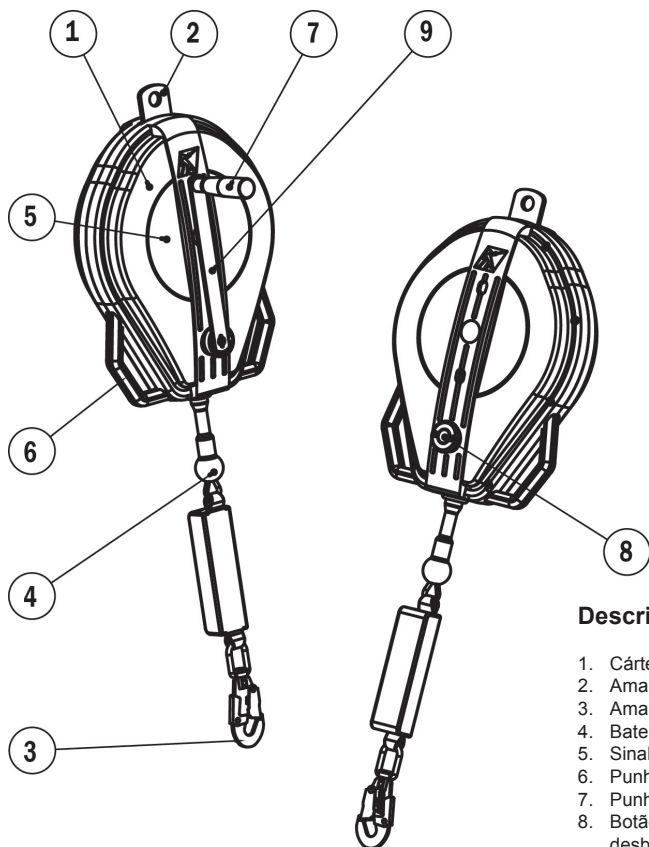
14. Durata di vita

I DPI tessili TRACTEL® come le imbracature, i cordini, le funi e i dissipatori, i DPI meccanici TRACTEL® come gli anticaduta stopcable™ e blocfor™ e gli anticaduta a richiamo automatico blocfor™ nonché le linee di vita TRACTEL® sono utilizzabili senza restrizioni, a condizione che a partire dalla loro data di fabbricazione essi siano oggetto:

- di un utilizzo normale nel rispetto delle prescrizioni di utilizzo del presente manuale,
- di una revisione periodica che deve essere effettuata minimo 1 volta all'anno da un tecnico abilitato e competente. Dopo questa revisione periodica, il DPI deve essere dichiarato per iscritto idoneo alla rimessa in servizio.
- del severo rispetto delle condizioni di stoccaggio e di trasporto menzionate nel presente manuale.

15. Rottamazione

Al momento della rottamazione del prodotto, è obbligatorio riciclare i diversi componenti separando le materie metalliche e le materie sintetiche. Questi materiali devono essere riciclati da organismi specializzati. Al momento della rottamazione, lo smontaggio in vista della separazione dei componenti, deve essere eseguito da una persona competente.



Descrição:

1. Cárter
2. Amarração na estrutura
3. Amarração no arnés
4. Batente do cabo
5. Sinalética
6. Punho de movimentação
7. Punho retráctil
8. Botão de bloqueio/desbloqueio
9. Manivela

blocfor™ 20R/30R

Especificações técnicas

Normas: EN 360, EN 1496 classe B

Modelo	blocfor 20R ESD 150 kg	blocfor 30R ESD 150 kg
Peso (kg)	9,34	16
Dimensões C x L x A (mm)	400 x 275 x 100	600 x 320 x 130
Comprimento do cabo do aparelho em aço galvanizado Ø 4,9 mm (m)	18 m	30 m
Força de chanade (N)	25	25
Força de travagem (kN)	5	5
Distância de travagem (mm)	800	800

Os blocfor são antiquedas retrácteis CE que estão abrangidos pela Diretiva EPI. O certificado de conformidade entregue pela APAVE abrange a sua utilização em conformidade com as exigências da norma EN 360:2002.

O certificado de conformidade EPI entregue pela APAVE exclui as aplicações associadas às outras utilizações, tais como a conformidade com a norma EN1496:2017, sistema de salvamento por elevação.

1. Instruções prioritárias específicas para os aparelhos de recuperação

1. Antes de utilizar um antiqueda retráctil blocfor™, é indispensável para a segurança de utilização e eficácia do material que o utilizador leia e compreenda as informações do manual fornecido pela TRACTEL SAS. Este manual deve ser mantido ao dispor de todos os utilizadores. Podemos fornecer exemplares suplementares a pedido.
2. Antes de utilizar este equipamento de segurança, é indispensável ter recebido formação sobre a utilização do mesmo. Verificar o estado dos equipamentos associados e verificar se a altura livre é suficiente.
3. O antiqueda retráctil blocfor™ só pode ser utilizado por uma pessoa formada e competente ou por um operador sob a vigilância de uma tal pessoa.
4. Se um antiqueda retráctil blocfor™ não estiver em bom estado aparente ou se serviu para parar uma queda, todo o equipamento deve ser verificado pela TRACTEL SAS ou por um técnico qualificado e competente que deve autorizar por escrito a reutilização do sistema. É recomendado um controlo visual antes de cada utilização.
5. Qualquer modificação ou acrescento ao equipamento não pode ser feito sem o acordo prévio escrito da TRACTEL SAS. O equipamento deve ser transportado e armazenado na embalagem de origem.
6. Todo o antiqueda retráctil blocfor™ que não tenha sido submetido a um teste periódico durante os últimos doze meses, ou que tenha parado uma queda, deve deixar de ser utilizado. Só poderá ser novamente utilizado após um novo teste periódico realizado por um técnico habilitado e competente, que autorizará por escrito a sua utilização. Na ausência destes testes e autorizações, o antiqueda retráctil blocfor™ será posto de lado e destruído.
7. A carga máxima de utilização é de 150 kg para o antiqueda retráctil blocfor™.
8. Se o peso do utilizador, acrescido do peso do seu equipamento e das suas ferramentas, estiver compreendido entre 100 kg e 150 kg, é indispensável assegurar-se de que este peso total (utilizador + equipamento + ferramentas) não excede a carga

máxima de utilização de cada um dos elementos que constituem o sistema de paragem de quedas.

9. Este equipamento está adaptado a uma utilização em estaleiro ao ar livre e a uma faixa de temperatura entre -35°C e +60°C. Evitar qualquer contacto com arestas vivas, superfícies abrasivas ou produtos químicos.
10. Se este equipamento tiver de ser confiado a pessoal assalariado ou semelhante, deverá ser cumprida a regulamentação aplicável do trabalho.
11. O utilizador deve estar em plena forma física e psicológica durante a utilização deste equipamento. No caso de dúvida, consultar um médico ou o médico do trabalho. Não deve ser utilizado por grávidas.
12. O equipamento não deve ser utilizado além dos seus limites, nem em qualquer outra situação diferente da prevista: cf. "4. Funções e descrição".
13. É aconselhável atribuir pessoalmente o antiqueda retráctil blocfor™ a cada operador, designadamente, quando se trata de pessoal assalariado.
14. Antes de utilizar um sistema de paragem de quedas EN 363, o utilizador deve assegurar-se de que cada um dos componentes está em bom estado de funcionamento: sistema de segurança, bloqueio. Durante a instalação, não deve haver nenhuma degradação das funções de segurança.
15. Num sistema de paragem de quedas, é essencial verificar o espaço livre abaixo do operador no local de trabalho, antes de cada utilização, de modo que, em caso de queda, não haja risco de colisão com o chão, nem presença de obstáculos na trajetória da queda.
16. Um amês antiqueda é o único dispositivo de preensão do corpo que é permitido utilizar num sistema de paragem de quedas.
17. É essencial para a segurança do operador que o dispositivo ou o ponto de ancoragem esteja corretamente posicionado e que o trabalho seja efetuado de modo a reduzir ao mínimo o risco de quedas, assim como a altura das mesmas.
18. Para a segurança do operador, se o produto for revendido fora do primeiro país de destino, o revendedor deve fornecer: instruções de utilização, instruções de manutenção, para os testes periódicos e as reparações, redigidos na língua do país de utilização do produto.
19. A carga máxima de utilização é de 150 kg para o antiqueda retráctil blocfor™ 20R/30R, quer na utilização como aparelho antiqueda (EN 360), quer na utilização como aparelho de salvamento por elevação (EN 1496 classe B).
20. Está previsto um plano de salvamento.

PT



NOTA

Para qualquer aplicação especial, não hesitar em dirigir-se à TRACTEL® S.A.S.

2. Definições e pictogramas

2.1. Definições

“**Utilizador**”: Pessoa ou responsável pelo serviço da gestão e da segurança de utilização do produto descrito no manual.

“**Técnico**”: Pessoa qualificada, a cargo das operações de manutenção descritas e autorizadas ao utilizador pelo manual, que é competente e está familiarizada com o produto.

“**Operador**”: Pessoa que trabalha e utiliza o produto em conformidade com o destino deste.

“**EPI**”: Equipamento de proteção individual contra as quedas em altura.

“**Conector**”: Elemento de união entre os componentes de um sistema de paragem de quedas. Está em conformidade com a norma 362.

“**Arnês de ant queda**”: Dispositivo de prensão do corpo destinado a parar as quedas. É constituído por correias e conjuntos de fivelas. É composto por pontos de fixação ant queda marcados com um “A” se for utilizado sozinho, ou marcados com um “A/2” se for utilizado em conjunto com um outro ponto “A/2”. Está em conformidade com a norma EN 361.

“**Ant queda retráctil**”: Ant queda com uma função de bloqueio automático e um sistema automático de tensão e de retenção para a linga retráctil.

“**Linga retráctil**”: Elemento conector de um ant queda retráctil. Pode ser um cabo metálico, em correia ou em fibras sintéticas, segundo o tipo de aparelho.

“**Carga máxima de utilização**”: Peso máximo do operador vestido, equipado com o EPI, o vestuário de trabalho, as ferramentas e os componentes de que precisa para o seu trabalho.

“**Sistema de paragem de quedas**”: Conjunto composto pelos elementos seguintes:

- Arnês ant queda.
- Ant queda retráctil ou absorvedor de energia ou ant queda móvel com cabo rígido de ancoragem ou ant queda móvel com cabo rígido de ancoragem flexível.
- Amarração.
- Elemento de ligação.

“**Elemento do sistema de paragem de quedas**”: Termo genérico que define um dos elementos seguintes:

- Arnês ant queda.
- Ant queda retráctil ou absorvedor de energia ou ant queda móvel com cabo rígido de ancoragem ou ant queda móvel com cabo rígido de ancoragem flexível.
- Amarração.
- Elemento de ligação.

“**Dispositivo de salvamento por elevação EN 1496 classe B**”: componente ou subconjunto de um equipamento de salvamento que permite a utilização de um guincho de um operador através de um salvador de um ponto baixo a um ponto alto e equipado com uma função complementar de descida de controlo manual destinado a descer o operador a uma distância limitada de 2 m.

“**Equipamento de salvamento**”: sistema de proteção individual contra quedas graças ao qual ninguém pode salvar-se ou salvar outras pessoas, de modo a impedir qualquer tipo de queda.

2.2. Pictogramas



PERIGO: Colocado no início da linha, designa instruções destinadas a evitar danos às pessoas, nomeadamente, lesões mortais, graves ou ligeiras, assim como danos ao meio ambiente.



IMPORTANTE: Colocado no início da linha, designa instruções destinadas a evitar uma falha ou danos aos equipamentos, mas sem colocar diretamente em perigo a vida ou a saúde do operador ou das demais pessoas, e/ou não sendo suscetíveis de causar danos ao meio ambiente.



NOTA: Colocado no início da linha, designa instruções destinadas a assegurar a eficácia ou a comodidade de uma instalação, utilização ou operação de manutenção.

3. Condições de utilização

Verificações antes da utilização:

- Verificar o estado da linga em toda a extensão:
 - O cabo sintético ou a correia não devem apresentar marcas de abrasão, desfiamento, queimaduras, cortes.
 - O cabo metálico não deve apresentar marcas de dobragem, abrasão, corrosão, fios cortados.
- Verificar que a linga fica bloqueada quando é retirada rapidamente pela sua extremidade e que enrola e desenrola normalmente em toda a sua extensão.
- Verificar o estado do cárter (sem deformação, presença de parafusos...).
- Verificar o estado e o funcionamento dos conectores: sem deformação visível, abertura, fecho e bloqueio possíveis.

- Verificar o estado dos componentes associados - arnês e conectores. Consultar os manuais específicos de cada um dos produtos.
- Verificar a totalidade do sistema de paragem de quedas.
- Verificar que a(s) consola(s) está(estão) bem apertadas às pernas do tracpode (ver § 4.2.2)
- Verificar que o equipamento se encontra a funcionar como antiqueda retráctil: aparelho de recuperação não engrenado antes da utilização.
- Verificar que a linga fica bloqueada quando é retirada rapidamente pela sua extremidade e que enrola e desenrola normalmente em toda a sua extensão.
- Verificar que o funcionamento do aparelho de recuperação engrena e desengrena facilmente.
- Verificar que a linga é bloqueada pela carga ligada à sua extremidade e que enrola e desenrola normalmente em toda a sua extensão, acionando a manivela do guincho.

4. Funções e descrição

4.1. O blocfor™ 20R/30R 150 kg

- O antiqueda retráctil blocfor™ 20R/30R de 150 kg é um antiqueda retráctil, em conformidade com a norma EN 360: ver § 4 do manual do blocfor™ ESD - EN 360 em anexo.
- Está equipado com um dispositivo de salvamento por elevação no sentido ascendente ou descendente (EN 1496 classe B): função do aparelho de recuperação que permite ao salvador subir e/ou descer o operador após uma queda. Pode ser utilizado
 - na vertical quando é instalado num ponto de amarração.
 - Inclinado quando é instalado na consola do tracpode.
- Este dispositivo é desengrenado quando o blocfor está a ser utilizado como antiqueda.
- Após uma queda, o mecanismo do blocfor é bloqueado. Para evacuar o operador no sentido ascendente ou descendente, engrenar o mecanismo de recuperação premindo o botão de bloqueio e depois acionar a manivela.
- O antiqueda retráctil blocfor™ 20R/30R 150 kg está equipado com dois punhos que facilitam a sua movimentação e a sua utilização em salvamento por elevação, segurando com uma mão o punho do equipamento e com a outra a manivela.
- Uma consola de amarração específica permite fixar o antiqueda retráctil blocfor™ 20R/30R 150 kg a uma das pernas do tracpode.
- A função de salvamento no sentido descendente está limitada a uma descida de 2 m, no máximo. Além desta altura, utilizar um equipamento de descida em conformidade com a norma EN 341.

4.2. A consola

4.2.1 Instalação do blocfor™ 20R/30R na consola



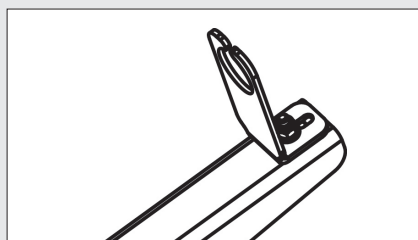
PERIGO

É proibido instalar um antiqueda retráctil blocfor™ 20R/30R 150 kg numa consola diferente de uma da Tractel.

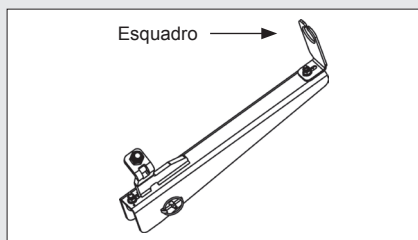
Preparação da consola de amarração

Adaptar a posição do esquadro ao tipo de blocfor™: 20R ou 30R.

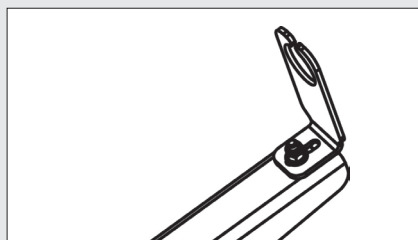
Posição do esquadro para receber um B20R



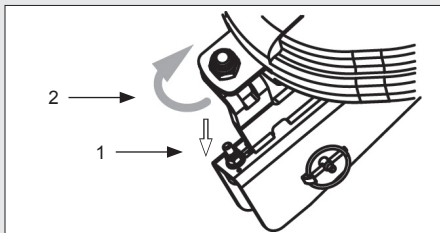
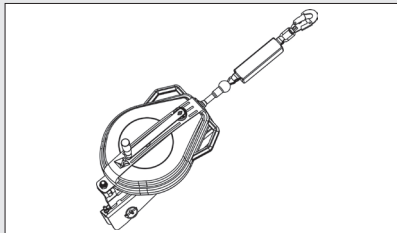
Consola completa



Posição do esquadro para receber um B30R

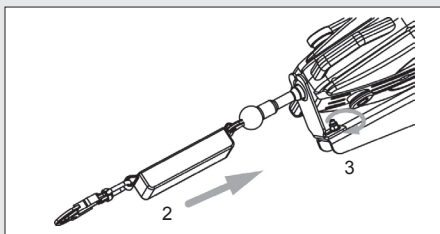
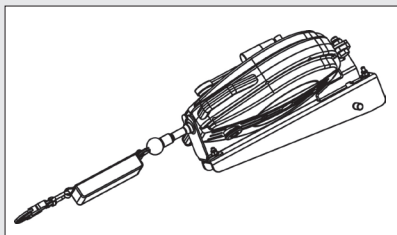


1. Posicionar o blocfor™ 20R/30R 150 kg no parafuso da consola (1) e depois aparafusar bem a porca de travagem (2)



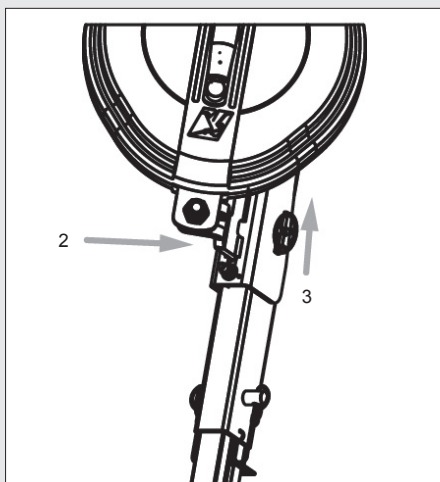
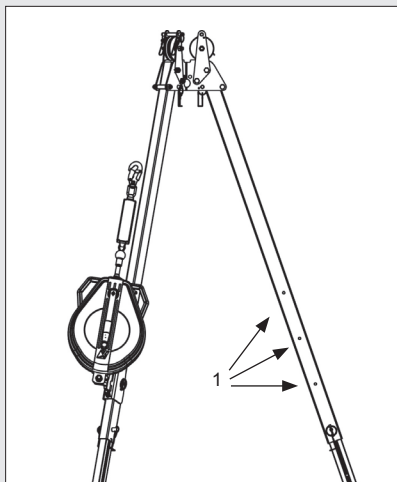
PT

2. Deslizar o esquadro para o centrar no passa-cabos
3. Apertar a porca do esquadro



4.2.2 Instalação do conjunto blocfor™ 20R/30R 150 kg e consola no Tracpode

1. Posicionar o blocfor™ 20R/30R 150 kg à altura desejada no tracpode (3 posições possíveis) (1). Para isso, ver o manual específico do tracpode.
2. Introduzir a cavilha de bloqueio na consola e no pé do tracpode.
3. Introduzir o pino de bloqueio na cavilha de bloqueio



4.2.3 Instalação do blocfor™ 20R/30R 150 kg numa estrutura/num ponto de amarração

- O ponto de amarração do blocfor™ 20R/30R 150 kg deve estar sempre em cima, ou ao nível dos pés do operador e nunca em baixo.
- Utilizar um conector EN 362 para ligar o antiqueda retráctil blocfor™ 20R/30R ao ponto de amarração ou a uma estrutura de resistência mínima de 12 kN.

5. Princípio de funcionamento

Operação de salvamento com o blocfor™ R



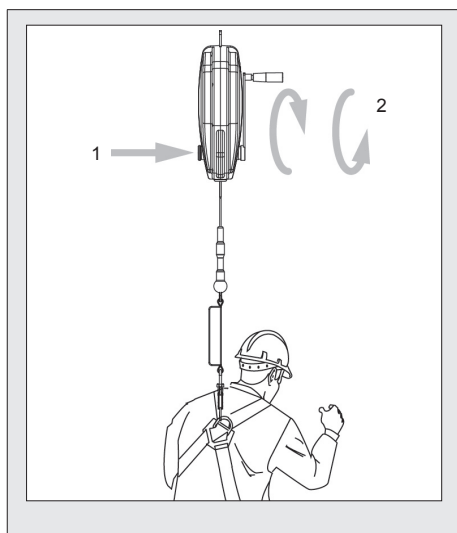
PERIGO

A presença de um segundo operador nas proximidades é indispensável para efetuar uma eventual evacuação.

As operações de salvamento devem ser objeto de um estudo programado, para definir os meios humanos e materiais a aplicar para prestar assistência à pessoa acidentada dentro de um prazo inferior a 15 minutos. Ultrapassando este prazo, o operador fica em perigo.

5.1. Funcionamento do aparelho de recuperação

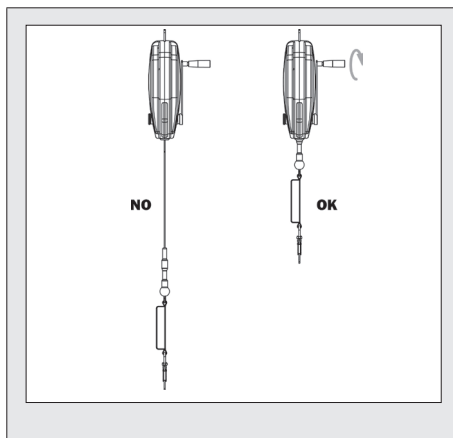
- (1) Premir o botão vermelho de bloqueio para ativar a função do aparelho de recuperação.
- (2) Retirar e depois rodar a manivela para evacuar o operador:
 - no sentido horário para subir,
 - no sentido anti-horário para descer.



5.2. Voltar para o funcionamento antiqueda

5.2.1 Voltar a enrolar o cabo no aparelho

Terminada a evacuação, enrolar o cabo todo no aparelho rodando a manivela no sentido horário.

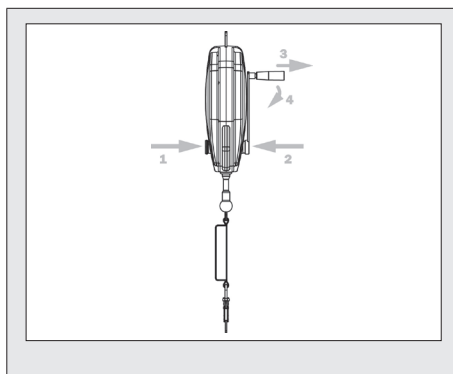


PERIGO

Não desativar o funcionamento do aparelho de recuperação do equipamento, se o cabo não estiver totalmente enrolado no cárter, caso contrário, o cabo pode desenrolar-se sozinho com grande rapidez.

5.2.2 Desengrenagem do funcionamento do aparelho de recuperação

- Para desengrenar o mecanismo do guincho, premir simultaneamente o botão vermelho (1) e o eixo da manivela (2).
- Certificar-se de que a manivela está posicionada verticalmente, com o punho para cima a fim de ser possível realizar esta operação.
- Retirar o punho (3) antes de voltar a dobrar (4).





PERIGO

Operação de elevação com o blocfor™ R

É proibida qualquer operação de elevação com o blocfor™ R.

O sistema de utilização do guincho destina-se exclusivamente a operações de salvamento.

Durante toda a fase de salvamento, deve existir entre o salvador e os outros intervenientes do salvamento contacto visual direto ou indireto ou qualquer outro meio de comunicação.

Para as operações de salvamento, recomenda-se a utilização de um arnês confortável EN 813 (tipo Promast™, Transporte, Salvamento) ou de um arnês equipado com uma alça de salvamento EN 1497.

6. Contraindicações de utilização

É estritamente proibido:

- Instalar ou utilizar o antiqueda retráctil blocfor™ sem ter sido autorizado, formado e reconhecido como competente ou na impossibilidade, sem estar sob a vigilância de uma pessoa autorizada, formada e reconhecida como competente.
- Utilizar o antiqueda retráctil blocfor™ se a marcação não estiver legível.
- Instalar ou utilizar o antiqueda retráctil blocfor™ que não tenha sido submetido às verificações prévias.
- Utilizar o antiqueda retráctil blocfor™ que não tenha sido submetido a um teste periódico, há
- menos de 12 meses, por um técnico que tenha autorizado por escrito a sua reutilização.
- Ligar o antiqueda retráctil blocfor™ a um ponto que não tenha sido submetido a um teste periódico, há menos de 12 meses, por um técnico que tenha autorizado por escrito a sua reutilização.
- Utilizar o antiqueda retráctil blocfor™ para qualquer aplicação diferente do antiqueda retráctil de quedas de pessoas.
- Fixar o antiqueda retráctil blocfor™ por qualquer outro meio que não seja o ponto de amarração.
- Utilizar o antiqueda retráctil blocfor™ de modo contrário às informações definidas no parágrafo "15. Duração de vida".
- Utilizar o antiqueda retráctil blocfor™ como protecção antiqueda de mais de uma pessoa.
- Utilizar o antiqueda retráctil blocfor™ com uma carga compreendida entre 100 kg e 150 kg (peso total do operador, do equipamento e das ferramentas), se, pelo menos, um elemento do sistema de paragem de quedas tiver uma carga máxima de utilização mais fraca.
- Utilizar o antiqueda retráctil blocfor™ se causou a queda de uma pessoa.
- Utilizar o antiqueda retráctil blocfor™ como meio de suspensão ou para posicionamento no posto de trabalho.

- Utilizar o antiqueda retráctil blocfor™ em ambiente fortemente corrosivo ou explosivo.
- Utilizar o antiqueda retráctil blocfor™ fora da faixa de temperatura especificada no presente manual.
- Utilizar o antiqueda retráctil blocfor™ se a altura livre não é suficiente em caso de queda da pessoa.
- Utilizar o antiqueda retráctil blocfor™ quando não se está em plena forma física.
- Utilizar o antiqueda retráctil blocfor™ por grávidas.
- Utilizar o antiqueda retráctil blocfor™ se a função de segurança de um dos artigos associados é afetada pela função de segurança de outro artigo ou interfere com a sua segurança.
- Soltar a linga do antiqueda retráctil blocfor™ quando aquela não está completamente enrolada (*figura 2.a*).
- Utilizar o antiqueda retráctil blocfor™ para tornar segura uma carga de material.
- Amarrar o antiqueda retráctil blocfor™ a um ponto de amarração estrutural cuja resistência é inferior a 10 kN ou suposta como tal.
- Utilizar o antiqueda retráctil blocfor™ para ângulos verticais superiores a 20° (*figura 1.c*).
- Utilizar a linga do antiqueda retráctil blocfor™ como meio de amarração de cargas.
- Perturbar o alinhamento do antiqueda retráctil blocfor™ em relação à linga.
- Perturbar o enrolamento ou o desenrolamento livre da linga do antiqueda retráctil blocfor™.
- Efetuar operações de reparação ou de manutenção do antiqueda retráctil blocfor™ sem ter sido formado e autorizado, por escrito, pela TRACTEL® (*figura 2.b*).
- Utilizar o antiqueda retráctil blocfor™ se não estiver completo, se foi desmontado previamente ou se os componentes foram substituídos por uma pessoa não autorizada pela TRACTEL®.
- Utilizar o antiqueda retráctil blocfor™ 20R/30R 150 kg por uma pessoa cujo peso, equipamento e ferramentas incluídos, sejam superiores a 150 kg.
- Elevar uma carga com o antiqueda retráctil blocfor™ 20R/30R.
- Criar frouxidão do cabo no momento de salvamento no sentido descendente.

7. Instalação

- Sempre que possível, o ponto de amarração estrutural estará acima do operador. O ponto de amarração estrutural deve apresentar uma resistência mínima de 12 kN.
- A ligação ao ponto de amarração ou à estrutura deve ser feita por meio de um conector EN 362, ou pelo parafuso da consola tractel destinada para os blocfor 20 e 30 R.
- Para a ligação do sistema antiqueda ao arnês de antiqueda, consultar os manuais do arnês e do sistema antiqueda, a fim de utilizar o ponto de fixação e o método corretos para se fixar.

8. Componentes e materiais

- Cabos: aço galvanizado.
- Absorção de energia: PA + PES.
- Cáter: PA/ABS ou alumínio para os modelos de 30 m.
- Peças de fixação: aço zincado.

9. Equipamentos associados

Em conformidade com a norma EN 363, o antiqueda retráctil blocfor™ 20R/30R 150 kg é integrado num sistema de paragem de quedas, que deve incluir obrigatoriamente:

- Uma ancoragem (EN 795).
- Um conector de extremidade (EN 362).
- Um sistema de antiqueda (EN 360) com dispositivo de salvamento por elevação (EN 1496).
- Um conector (EN 362).
- Um arnês de antiqueda (EN 361), (ponto de fixação dorsal recomendado).

Qualquer outra associação é proibida.

10. Manutenção e armazenagem

- Se um antiqueda retráctil blocfor™ estiver sujo, deve ser lavado com água limpa e fria, eventualmente com um detergente para têxteis delicados; utilizar uma escova sintética.
- Se, durante a utilização ou a limpeza um antiqueda retráctil blocfor™ ficou molhado, deve secá-lo naturalmente à sombra e afastado de qualquer fonte de calor.
- Durante o transporte e a armazenagem, proteger o equipamento no interior de uma embalagem resistente à humidade e contra qualquer perigo (fonte de calor direta, produtos químicos, UV, ...).
- Verificar que a engrenagem/desengrenagem do sistema de recuperação é feita corretamente.
- Verificar que o cabo não se encontra danificado em toda a sua extensão.
- Em caso de contaminação do produto, consultar a Tractel® ou um dos seus revendedores.

11. Conformidade do equipamento

A sociedade TRACTEL SAS RD 619 - Saint Hilaire sous Romilly - F - 10102 Romilly-sur-Seine France declara, pelo presente, que o equipamento de segurança descrito neste manual, é idêntico ao equipamento submetido a ensaios de conformidade com a norma EN 1496 de 2017 pela APAVE SUDEUROPE SAS - CS 60193 - 13322 Marselha - França

12. Marcação

Descrição da designação:

B X R ESD Z

B: para o nome blocfor™

X: o tipo de blocfor™ na gama (20 R/30 R)

R: Modelo do sistema de recuperação (salvamento por elevação EN 1496)

ESD: termo genérico da gama

Z: Modelo do conector lado linga retráctil

Exemplo:

B20 R ESD M47

Antiqueda retráctil blocfor™ com sistema de recuperação da gama ESD do tipo 20, equipado com o conector modelo M47 lado linga retráctil.

O rótulo de cada antiqueda retráctil blocfor™ indica:

- a. A marca comercial: TRACTEL®,
 - b. A designação do produto,
 - c. A norma de referência seguida do ano de aplicação,
 - d. A referência do produto,
 - e. O logótipo CE seguido do número 0082, número de identificação do organismo notificado a cargo do controlo de produção,
 - f. O ano e a semana de fabrico,
 - g. O número de série,
 - h. Um pictograma que indica que é necessário ler o manual antes da utilização,
 - w. A carga máxima de utilização.
- aa. A data do próximo teste,
ab. A resistência mínima do ponto de amarração.

13. Teste periódico e reparação

Um teste periódico anual é obrigatório, mas em função da frequência de utilização, das condições ambientais e da regulamentação da empresa ou do país de utilização, os testes periódicos podem ser mais frequentes.

Os testes periódicos devem ser realizados por um técnico autorizado e competente, cumprindo os modos operacionais de teste do fabricante descritos no ficheiro "Instruções de verificação dos EPI da TRACTEL®".

A verificação da legibilidade da marcação no produto faz parte integrante do teste periódico.

No fim do teste periódico, a colocação em funcionamento deve ser comunicada por escrito pelo técnico autorizado e competente que o efetuou. Esta colocação em funcionamento do produto deve ser registada na folha de controlo que se encontra no meio do presente manual. Esta folha de controlo deve ser conservada durante toda a vida do produto, até este ser posto de lado.

Após a paragem de uma queda, o presente produto deve, obrigatoriamente, ser objeto de um teste periódico, tal como se descreve no presente manual. Os eventuais componentes têxteis do produto devem ser, obrigatoriamente, trocados, mesmo que não apresentem nenhuma alteração visível.

14. Duração de vida

Os EPI têxteis da TRACTEL® como os arneses, as lingas, as cordas e os amortecedores, os EPI mecânicos TRACTEL® como os sistemas antiqueda stopcable™ e stopfor™, os sistemas antiqueda retrácteis blocfor™ e as linhas de vida da TRACTEL® só podem ser utilizados sob reserva a partir da sua data de fabrico e ser objeto de:

- uma utilização normal, cumprindo as recomendações de utilização do presente manual.
- um teste periódico que deve ser realizado, no mínimo, uma vez por ano por um técnico autorizado e competente. No fim deste teste periódico, o EPI deve ser declarado, por escrito, apto a ser colocado em funcionamento.
- cumprimento estrito das condições de armazenamento e de transporte mencionadas no presente manual.

15. Eliminação



No momento da eliminação final do produto, é obrigatório reciclar os diferentes componentes por uma triagem dos materiais metálicos e uma triagem dos materiais sintéticos. Estes materiais devem ser reciclados junto de organismos especializados. No momento da eliminação final, a desmontagem, para a separação dos constituintes, deve ser realizada por uma pessoa competente.

PT

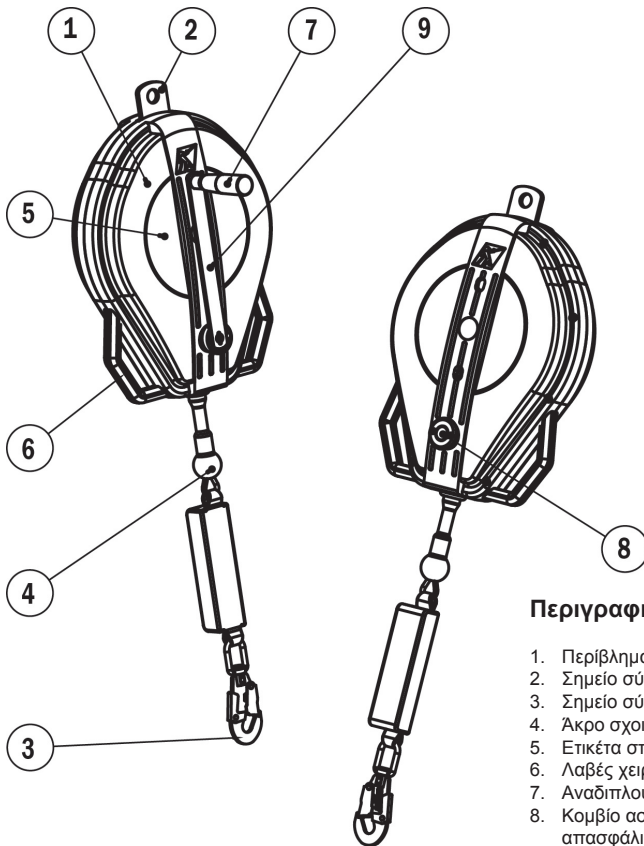
Feuille de contrôle – Inspection sheet – Kontrollkarte – Controlebliad – Hoja de revisión – Scheda di revisione – Folha de controle
Δελτίο ελέγχου – Kontrollskjema – Kontrollblad – Tarkastuslista – Kontrolloblad – Karta kontrolna – Контрольный листок

Type de produit Produkttyp Produktbeschreibung Produkttype Tipo de producto Tipo di prodotto Τύπος προϊόντος Προϊκτύπη Tuotetyyppi Typ produktu Тип изделия	Références produit Produktreferens Codenummer Produktcode Referencia producto Referimento prodotto Referência do produto Κωδικός προϊόντος Produktreferanse Tuotteen viitenumero Produktnummer Oznaczenie produktu Агрегатный код	Número de série Seriennummer Codenummer Seriennummer Numero de serie Numero di serie Número de série Σειριακός αριθμός Seriennummer Seriennummer Seriennummer Numeri serii Серийный номер	Nom de l'utilisateur Name des Benutzers Name des Benutzers Naam van de gebruiker Nombre del usuario Nome dell'utente Nome do utilizador Όνομα του Χρήστη Brukerens navn Användarens namn Käyttäjän nimi Brugers navn Nazwisko użytkownika Фамилия пользователя
Date of fabrication Date of manufacture Herstellungsdatum Fabrikationsdatum Fabricazione Data di produzione Data de fabrico Ημερομηνία κατασκευής Fabrikationsdato Valmistuspäivä F-fabrikationsdato Data produkcji Дата производства	Date d'achat Kaufdatum Ankaufdatum Fecha de compra Data de compra Κιόπηδατο Ημερομηνία αγοράς Inköpsdatum Ostodato Data zakupu Дата покупки	Date de mise en service Date of first use Datum ingebruikneming Einsatzdatum Data di messa in servizio Data de entrada em serviço Ημερομηνία θέσης σε λειτουργία Date for bruk, første gang Första användningsdagen Κατάχρησιμότητα Data for brukning Дата введения в эксплуатацию	

Vérification – Inspection – Prüfung – Controlo – Verificaciones – Verifiche
Verificação – Έλεγχος – Kontroll – Kontroll – Tarkastus – Effersyn – Kontrola – Проверка

		Date Date Datum Fecha Data Ημερομηνία Datum Päivä Data Дата	Date of the prochain examen Date of next inspection Datum der nächsten Prüfung Datum van het volgende onderzoek Fecha del próximo examen Data della prossima ispezione Ημερομηνία του επόμενου ελέγχου Dato for neste kontroll Nasta inspeksiostatum Seuraavan tarkastuksen päivämäärä Data for næste undersøgelse Data następnego przeglądu Дата следующей проверки	Nom du contrôleur Name of inspector Name des Prüfers Naam van de controller Nome del controllore Nome do controlador Όνομα του ελεγκτή Kontrollörens namn Besiktningmannens namn Tarkastajan nimi Kontrollörens namn Nazwisko kontrolującego Фамилия проверяющего	Visa Signature Unterschrift Gezien Firma Visa Εξέταση Visa Stempel Hyväksyntä Underskrift Pozwolenie Подпись

Réparation – Repairing
Reparatur – Herstelling
Reparazione – Riparazione
Reparaçãõ – Επιδιόρθωση
Reparasjon – Reparation
Korjaus – Reparation
Naprawa – Ремонт



Περιγραφή:

1. Περιβλήμα
2. Σημείο σύνδεσης στη δομή
3. Σημείο σύνδεσης στην εξάρτηση
4. Άκρο σχοινού
5. Ετικέτα στοιχείων
6. Λαβές χειρισμού
7. Αναδιπλούμενη λαβή
8. Κομβίο ασφάλισης/ απασφάλισης
9. Διάταξη περιέλιξης

blocfor™ 20R/30R

Τεχνικές προδιαγραφές

Πρότυπα: EN 360, EN 1496 κατηγορίας B

Μοντέλο	blocfor™ 20R ESD 150 kg	blocfor™ 30R ESD 150 kg
Βάρος (κιλά)	9,34	16
Διαστάσεις Μ x Π x Β (mm)	400 x 275 x 100	600 x 320 x 130
Μήκος συγκροτήματος γαλβανισμένου χαλύβδινου καλωδίου Ø 4.9 mm (m)	18	30
Ισχύς σύμπτυξης (N)	25	25
Ισχύς αναστολής πτώσης (kN)	5	5
Απόσταση αναστολής πτώσης (mm)	800	800

Η σειρά blocfor™ είναι μια σειρά αυτο-συμπυσσομένων διατάξεων αναστολής πτώσης με σήμανση CE, που συμμορφώνεται με την κατεθυντήρια οδηγία της ΕΚ για τα Μέσα ατομικής προστασίας (ΜΑΠ). Το πιστοποιητικό συμμόρφωσης που εκδίδεται από τον οργανισμό πιστοποίησης APAVE καλύπτει τη χρήση τους σύμφωνα με τις απαιτήσεις που ορίζονται στο πρότυπο EN 360:2002.

Το πιστοποιητικό συμμόρφωσης αναφορικά με τα ΜΑΠ που εκδίδεται από τον οργανισμό πιστοποίησης APAVE εξαιρεί εφαρμογές που σχετίζονται με άλλες χρήσεις, όπως η συμμόρφωση με το πρότυπο EN 1496:2017, διασωστικά συστήματα ανύψωσης.

1. Γενικές προειδοποιήσεις ειδικά για τις διατάξεις ανάκτησης

1. Πριν τη χρήση της αυτο-συμπυσσομένης διάταξης αναστολής πτώσης blocfor™ και για να διασφαλιστεί η ασφαλής και αποτελεσματική χρήση του εξοπλισμού, είναι απαραίτητο για το χρήστη να διαβάσει και να κατανοήσει τις πληροφορίες που περιέχονται στο εγχειρίδιο που παρέχεται από την TRACTEL SAS. Οι παρούσες οδηγίες πρέπει να παραμένουν στη διάθεση του κάθε χρήστη. Επιπλέον αντίτυπα μπορούν να διατεθούν κατόπιν αιτήσεως.
2. Πριν τη χρήση αυτής της διάταξης ασφάλειας, είναι σημαντικό οι χρήστες να λάβουν εκπαίδευση στον τρόπο χρήσης της. Ελέγξτε την κατάσταση των σχετικών εξοπλισμών και εξασφαλίστε επαρκή ελεύθερο χώρο για οτι διάκενο πτώσης.
3. Η αυτο-συμπυσσομένη διάταξη αναστολής πτώσης blocfor™ πρέπει να χρησιμοποιείται μόνο από εκπαιδευμένο και ικανό προσωπικό ή υπό την εποπτεία εκπαιδευμένου και ικανού προσωπικού.
4. Κάθε αυτο-συμπυσσομένη διάταξη αναστολής πτώσης blocfor™ η οποία δεν φαίνεται να είναι σε καλή κατάσταση ή η οποία έχει ήδη χρησιμοποιηθεί για την αναστολή μιας πτώσης, πρέπει να επιθεωρείται μαζί με το σύνολο του εμπλεκόμενου εξοπλισμού, από την TRACTEL SAS ή από πιστοποιημένο και αρμόδιο τεχνικό που οφείλει να διαθέτει γραπτή εξουσιοδότηση για τη συνέχεια της χρήσης του συστήματος. Συνιστάται οπτικός έλεγχος πριν από κάθε χρήση.
5. Καμία τροποποίηση ή προσθήκη δεν μπορεί να εφαρμοστεί στον εξοπλισμό χωρίς την προηγούμενη έγγραφη έγκριση της TRACTEL SAS. Ο εξοπλισμός πρέπει να μεταφέρεται και να αποθηκεύεται στη συσκευασία προέλευσής του.
6. Κάθε αυτο-συμπυσσομένη διάταξη αναστολής πτώσης blocfor™ που δεν υπήρξαν αντικείμενο περιοδικού ελέγχου κατά τη διάρκεια των προηγούμενων 12 μηνών ή που έχουν αποτρέψει

πτώση, δεν πρέπει να χρησιμοποιηθούν. Μπορεί να ξαναχρησιμοποιηθεί μόνο μετά την εκτέλεση νέου περιοδικού ελέγχου από εξουσιοδοτημένο και αρμόδιο τεχνικό ο οποίος θα επιτρέψει γραπτώς τη χρήση του. Απουσία αυτών των επιθεωρήσεων και εξουσιοδοτήσεων, η αυτο-συμπυσσομένη διάταξη αναστολής πτώσης blocfor™ θεωρείται ακατάλληλη για χρήση και πρέπει να αποσυναρμολογηθεί και να καταστραφεί.

7. Το όριο φορτίου χρήσης της αυτο-συμπυσσομένης διάταξης αναστολής πτώσης blocfor™ είναι 150 kg.
8. Εάν η μάζα του χειριστή μαζί με τη μάζα του εξοπλισμού του και των εργαλείων του κυμαίνεται μεταξύ 100 kg και 150 kg, είναι απαραίτητο να βεβαιωθείτε ότι αυτή η συνολική μάζα (χειριστής + εξοπλισμός + εργαλεία) δεν ξεπερνά το φορτίο χρήσης του καθενός από τα στοιχεία που αποτελούν το σύστημα προστασίας από πτώσεις.
9. Ο εξοπλισμός αυτός είναι κατάλληλος για χρήση σε εξωτερικά εργοτάξια και σε εύρος θερμοκρασίας μεταξύ -35°C και +60 °C. Αποφύγετε κάθε επαφή με αιχμηρά άκρα, τραχιές επιφάνειες και χημικά προϊόντα.
10. Αν πρέπει να παραδώσετε τον εξοπλισμό σε κάποιον εργαζόμενο ή άλλο έμμοιστο πρόσωπο, συμμορφωθείτε με τον ισχύοντα κανονισμό εργασίας.
11. Ο χειριστής πρέπει να είναι σε καλή φυσική και ψυχολογική κατάσταση κατά τη χρήση του εξοπλισμού αυτού. Σε περίπτωση αμφιβολίας, συμβουλευτείτε τον ιατρό σας ή τον ιατρό εργασίας. Απαγορεύεται η χρήση του εξοπλισμού κατά την κύηση.
12. Ο εξοπλισμός δεν πρέπει να χρησιμοποιείται πέρα από τα όρια του ή σε οποιαδήποτε άλλη κατάσταση πέραν εκείνης για την οποία έχει σχεδιαστεί, ανατρέξτε στο 4. Λειτουργίες και περιγραφή.»
13. Συστήνεται η προσωπική εκχώρηση μιας αυτο-συμπυσσομένης διάταξης αναστολής πτώσης blocfor™ σε κάθε χειριστή, ιδιαίτερα εάν ο χειριστής είναι υπάλληλός σας.
14. Πριν τη χρήση ενός συστήματος αναστολής πτώσης σύμφωνα με το EN 363, ο χρήστης πρέπει να βεβαιωθεί πως το καθένα από τα στοιχεία του είναι σε καλή κατάσταση λειτουργίας: σύστημα ασφαλείας, ασφάλιση. Κατά τη ρύθμιση, είναι ουσιώδες να διασφαλιστεί ότι οι λειτουργίες ασφαλείας δεν έχουν υποβαθμιστεί με κανένα τρόπο.
15. Σε ένα σύστημα αναστολής πτώσεων, είναι πρωταρχικής σημασίας να ελέγχεται ο ελεύθερος χώρος κάτω από το χρήστη στη θέση εργασίας πριν από κάθε χρήση, έτσι ώστε σε περίπτωση πτώσης

να μην υπάρχει κίνδυνος πρόσκρουσης με το έδαφος, ούτε παρουσία εμποδίου στη διαδρομή της πτώσης (πριν την ενεργοποίηση του συστήματος αναστολής πτώσεων).

16. Η ζώνη διακοπής πτώσης είναι η μόνη διάταξη πιασίματος του σώματος που επιτρέπεται να χρησιμοποιείται με σύστημα προστασίας από πτώσεις.
17. Είναι απαραίτητο για την ασφάλεια του χειριστή, η διάταξη ή το σημείο αγκύρωσης να είναι σωστά τοποθετημένα και η εργασία να πραγματοποιείται έτσι ώστε να μειώνεται στο ελάχιστο ο κίνδυνος πτώσεων και το ύψος τους.
18. Για την ασφάλεια του χειριστή, εάν ο εξοπλισμός μεταπωληθεί εκτός της αρχικής χώρας προορισμού, ο μεταπωλητής οφείλει να παράσχει ένα εγχειρίδιο χρήσης και οδηγίες για τη συντήρηση, τους περιοδικούς ελέγχους και τις εργασίες επισκευής, το σύνολο των οποίων πρέπει να είναι διατυπωμένα στη γλώσσα της χώρας χρήσης του προϊόντος.
19. Το όριο φορτίου χρήσης είναι 150 kg για την αυτο-συνπτυσσόμενη διάταξη αναστολής πτώσης blocfor™ 20R/30R, ανεξάρτητα από το εάν χρησιμοποιείται ως διάταξη αναστολής πτώσης (EN 360) ή διάταξη ανύψωσης διάσωσης (EN 1496 κατηγορία B).
20. Θα πρέπει να συνταχθεί και να εφαρμόζεται σχέδιο διάσωσης.



ΣΗΜΕΙΩΣΗ

Για κάθε ειδική εφαρμογή,
επικοινωνήστε με την TRACTEL® S.A.S.

2. Ορισμοί και εικονοσύμβολα

2.1. Ορισμοί

«**Χρήστης**»: Άτομο ή υπηρεσία που είναι υπεύθυνο για τη διαχείριση και την ασφαλή χρήση του προϊόντος το οποίο περιγράφεται στο εγχειρίδιο.

«**Τεχνικός**»: Ειδικευμένο άτομο, υπεύθυνο για τις εργασίες συντήρησης που περιγράφονται και επιτρέπονται στο χρήστη από το εγχειρίδιο. Ο τεχνικός είναι αρμόδιος και εξοικειωμένος με το προϊόν.

«**Χειριστής**»: Άτομο που έχει τη δυνατότητα χρήσης του προϊόντος σύμφωνα με τη χρήση για την οποία προορίζεται.

«**ΜΑΠ**»: Μέσα ατομικής προστασίας που προσφέρουν προστασία έναντι πτώσεων από ύψος.

«**Σύνδεσμος**»: Στοιχείο σύνδεσης ανάμεσα στα εξαρτήματα ενός συστήματος αναστολής πτώσεων. Συμμορφώνεται προς το πρότυπο EN 362.

«**Εξάρτηση αναστολής πτώσεων**»: Διάταξη συγκράτησης του σώματος σχεδιασμένη να ανακόπτει τις πτώσεις. Αποτελείται από ιμάντες και θηλιές. Περιλαμβάνει σημεία ανάρτησης πρόληψης πτώσης που φέρουν την ένδειξη A εάν μπορούν να χρησιμοποιηθούν μόνο τους ή την ένδειξη A/2 εάν πρέπει να χρησιμοποιηθούν σε συνδυασμό με κάποιο άλλο σημείο A/2. Η ζώνη συμμορφώνεται προς το πρότυπο EN 361.

«**Αυτο-συνπτυσσόμενη διάταξη αναστολής πτώσης**»: Μια διάταξη αναστολής πτώσεων με λειτουργία αυτόματης ασφάλισης και αυτόματο σύστημα τάνυσης και ανάσυρσης του ανασυρόμενου ιμάντα.

«**Ανασυρόμενος ιμάντας**»: Ένα διασωστικό συνδετικό στοιχείο που συνδέεται με μια αυτο-συνπτυσσόμενη διάταξη αναστολής πτώσης. Μπορεί να έχει τη μορφή μεταλλικού σχοινιού, πλέγματος ή συνθετικών ινών, ανάλογα με τον τύπο της διάταξης.

«**Όριο φορτίου χρήσης**»: Η μέγιστη μάζα του χειριστή με κατάλληλη στολή εργασίας, εξοπλισμένου με αντίστοιχα ΜΑΠ, εργαλεία και στοιχεία τα οποία είναι απαραίτητα για την εκτέλεση της προγραμματισμένης εργασίας.

«**Σύστημα αναστολής πτώσεων**»: Συγκρότημα που αποτελείται από τα ακόλουθα στοιχεία:

- Ολόσωμη εξάρτηση.
- Αυτο-συνπτυσσόμενη διάταξη αναστολής πτώσης ή αποσβεστήρας κραδασμών ή φορητή διάταξη αποτροπής πτώσης με άκαμπτα στηρίγματα πρόσδεσης ή φορητή διάταξη αποτροπής πτώσης με εύκαμπτα στηρίγματα πρόσδεσης.
- Αγκύρωση.
- Στοιχείο σύνδεσης.


«**Στοιχείο του συστήματος αναστολής πτώσης**»: Γενικός όρος που καθορίζει ένα από τα παρακάτω στοιχεία:


- Ολόσωμη εξάρτηση.
- Ανακόπτης πτώσης επαναφερόμενου τύπου, ή απορροφητή κραδασμού ενέργειας ή κινητή συσκευή διακοπής πτώσης με άκαμπτα στηρίγματα πρόσδεσης ή κινητή συσκευή διακοπής πτώσης με εύκαμπτα στηρίγματα πρόσδεσης.
- Αγκύρωση.
- Στοιχείο σύνδεσης.


«**Διάταξη ανύψωσης διάσωσης σύμφωνα με το EN 1496 κατηγορία B**»: συνιστώσα ή υπο-συγκρότημα ενός συστήματος διάσωσης που χρησιμοποιείται από έναν διασώστη για την ανάσυρση ενός αιωρούμενου ατόμου από μια χαμηλότερη σε υψηλότερη θέση, το οποίο διαθέτει χειροκίνητη λειτουργία χαμηλώματος, για το χαμηλόμα ενός ατόμου σε απόσταση που περιορίζεται στα 2 m.

«**Εξοπλισμός διάσωσης**»: ανεξάρτητο σύστημα για την προστασία από πτώσεις, μέσω του οποίου ένας χρήστης μπορεί να εκτελέσει αυτο-διάσωση ή διάσωση τρίτων, με τρόπο που αποτρέπει τις πτώσεις.

2.2. Εικονοσύμβολα

 **ΚΙΝΔΥΝΟΣ:** Όταν βρίσκεται στην αρχή της σειράς, επισημαίνει οδηγίες για την σωματικών βλαβών, συμπεριλαμβανομένων των θανάσιμων, σοβαρών ή ήπιων τραυματισμών, καθώς και των βλαβών στο περιβάλλον.

 **ΠΡΟΣΟΧΗ:** Όταν βρίσκεται στην αρχή της σειράς, αναφέρεται σε οδηγίες σκοπός των οποίων είναι η αποτροπή της αστοχίας του εξοπλισμού ή η αποφυγή της πρόκλησης φθοράς στον εξοπλισμό σε πλαίσια στα οποία δεν υπάρχει άμεσος κίνδυνος για τη ζωή ή υγεία του χειριστή ή άλλων ατόμων ή/και στα οποία δεν είναι πιθανή η πρόκληση περιβαλλοντικής βλάβης.

 **ΣΗΜΕΙΩΣΗ** Όταν βρίσκεται στην αρχή της σειράς, αναφέρεται σε οδηγίες σκοπός των οποίων είναι να διασφαλιστεί η αποτελεσματικότητα ή η καταλληλότητα μιας εγκατάστασης, του τρόπου χρήσης της ή των διαδικασιών συντήρησης.

3. Συνθήκες χρήσης

Έλεγχος πριν από τη χρήση:

- Ελέγξτε την κατάσταση ολόκληρου του μήκους του ιμάντα:
 - Το συνθετικό σχοινί και τα νήματα δεν πρέπει να παρουσιάζουν ίχνη τριβής, ξεφτίσματος, καψίματος ή κοψίματος.
 - Το μεταλλικό σχοινί δεν πρέπει να εμφανίζει ίχνη συστροφών, τριβής, διάβρωσης ή θραυσμένων συρμάτων.
- Ελέγξτε ότι η διάταξη ασφάλισης του ιμάντα ενεργοποιείται όταν το άκρο του ιμάντα έλκεται απότομα και ότι τυλίσσεται και εκτυλίσσεται κανονικά σε όλο του το μήκος.
- Ελέγξτε την κατάσταση του περιβλήματος (χωρίς παραμόρφωση, οι βίδες είναι στη θέση τους, κ.λπ.).
- Ελέγξτε την κατάσταση και λειτουργία των συνδέσμων: απουσία ορατής παραμόρφωσης και δυνατότητα ανοίγματος, κλεισίματος και ασφάλισης.
- Ελέγξτε την κατάσταση των εξαρτημάτων που σχετίζονται με την εξάρτηση και τους συνδέσμους. Ανατρέξτε στα χειριρίδια κάθε συγκεκριμένου προϊόντος.
- Ελέγξτε το πλήρες σύστημα προστασίας από πτώσεις.
- Ελέγξτε ότι οι βραχίονες των ποδιών είναι σταθερά συνδεδεμένοι στα πόδια του τρίποδου διάσωσης Tracode (ανατρέξτε στην § 4.2.2)

- Ελέγξτε ότι ο εξοπλισμός έχει ρυθμιστεί σε λειτουργία αυτο-συμπυκνωσης διάταξης αναστολής πτώσης: δηλαδή με τη διάταξη ανάσυρσης μη ενεργοποιημένη.
- Ελέγξτε ότι η διάταξη ασφάλισης του ιμάντα ενεργοποιείται όταν το άκρο του ιμάντα έλκεται απότομα και ότι τυλίσσεται και εκτυλίσσεται κανονικά σε όλο του το μήκος.
- Ελέγξτε ότι οι λειτουργία ανάσυρσης εμπλέκεται και απεμπλέκεται σωστά.
- Ελέγξτε ότι η διάταξη που ασφαρίζει τον ιμάντα μπορεί να στηρίξει το φορτίο που συνδέεται στο άκρο του ιμάντα και μπορεί να περιελιχθεί και να εκτυλιχθεί σε όλο το μήκος κατά την περιστροφή του βαρούλκου.

4. Λειτουργίες και περιγραφή

4.1. blocfor™ 20R/30R 150 kg

- Η αυτο-συμπυκνόμενη διάταξη αναστολής πτώσης blocfor™ 20R/30R 150 kg είναι μια αυτο-συμπυκνόμενη διάταξη αναστολής πτώσης σύμφωνη με το πρότυπο EN 360: ανατρέξτε στην § 4 του συνημμένου εγχειριδίου για το blocfor™ ESD - EN 360.
- Είναι εξοπλισμένη με διάταξη διάσωσης για την ανύψωση ή το χαμήλωμα του αιωρούμενου προσώπου (EN 1496 κατηγορία B): αυτή η λειτουργία ανάσυρσης επιτρέπει στο διασώστη να ανυψώσει ή/και να χαμηλώσει το αιωρούμενο πρόσωπο μετά από πτώση. Μπορεί να χρησιμοποιηθεί:
 - κατακόρυφα, όταν είναι ασφαλισμένη σε σημείο αγκύρωσης.
 - σε κεκλιμένη θέση, όταν στερεώνεται σε βραχίονα ποδιού τοποθετημένο σε Tracode.
- Η λειτουργία διάσωσης απεμπλέκεται όταν το blocfor™ χρησιμοποιείται σε λειτουργία αναστολής πτώσης.
- Σε περίπτωση πτώσης, ο μηχανισμός του blocfor ασφαρίζει για να διακόψει κάθε κίνηση. Για τη διάσωση του αιωρούμενου προσώπου (με ανύψωση ή χαμήλωμα), εμπλέξτε το μηχανισμό ανάσυρσης ωθώντας το κόκκινο κομβίο ασφάλισης και στρέφοντας τη διάταξη περιέλιξης.
- Η αυτο-συμπυκνόμενη διάταξη αναστολής πτώσης blocfor™ 20R/30R 150 kg διαθέτει δύο λαβές στο περιβλήμα για το χειρισμό της μονάδας. Μπορεί επίσης να χρησιμοποιηθεί κατά την εκτέλεση διάσωσης - κρατήστε μία από τις λαβές συγκράτησης με το ένα χέρι και γυρίστε τη διάταξη περιέλιξης με το άλλο.
- Ένας ειδικά σχεδιασμένος βραχίονας ποδιού χρησιμοποιείται για να ασφαλίσει την αυτο-συμπυκνόμενη διάταξη αναστολής πτώσης blocfor™ 20R/30R 150 kg σε ένα από τα πόδια του τρίποδου διάσωσης Tracode.
- Κατά το χαμήλωμα ενός αιωρούμενου προσώπου, η λειτουργία διάσωσης περιορίζεται σε μέγιστη απόσταση 2 μέτρων. Για χαμήλωμα σε μεγαλύτερη

απόσταση, χρησιμοποιήστε διάταξη καθόδου που συμμορφώνεται με το EN 341.

4.2. Βραχίονας ποδιού

4.2.1 Τοποθετήστε το blocfor™ 20R/30R στο βραχίονα ποδιού



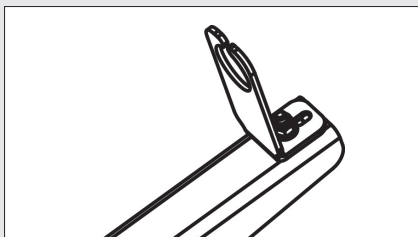
ΚΙΝΔΥΝΟΣ

Η αυτο-συμπυκνωμένη διάταξη αναστολής πτώσης blocfor™ 20R/30R 150 kg δεν πρέπει να τοποθετείται σε άλλο βραχίονα πέραν του βραχίονα ποδιού Tractel Tracpode.

Προετοιμασία βραχίονα ποδιού

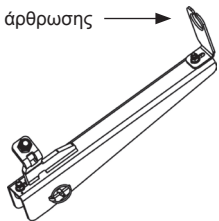
Τοποθετήστε το βραχίονα άρθρωσης στο άκρο του βραχίονα ποδιού στη σωστή θέση για τον χρησιμοποιούμενο τύπο του blocfor™: 20R ή 30R.

Θέση του βραχίονα άρθρωσης για την υποδοχή B20R

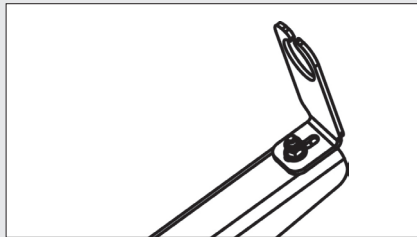


Ολοκληρώστε τη συναρμολόγηση του βραχίονα ποδιού

Βραχίονας άρθρωσης →

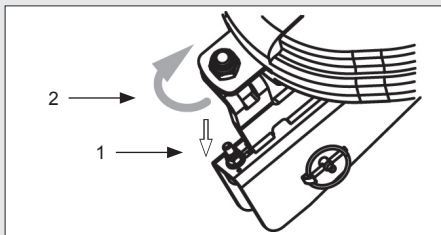
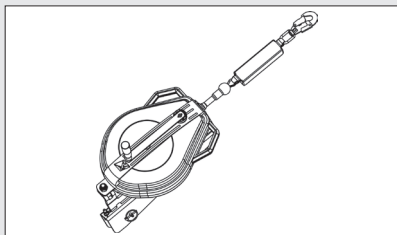


Θέση του βραχίονα άρθρωσης για την υποδοχή B30R

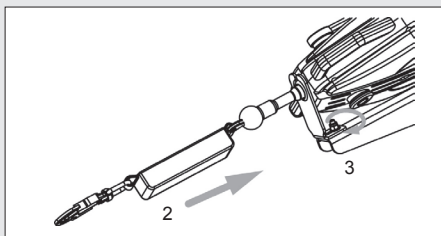
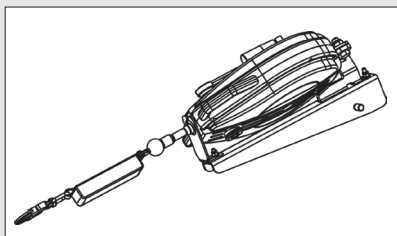


GR

1. Τοποθετήστε το blocfor™ 20R/30R 150 kg έτσι ώστε να προσαρμόζεται στον κοχλία στο επάνω μέρος του βραχίονα ποδιού (1) και ασφαλίστε σφίγγοντας πλήρως το ασφαλιστικό παξιμάδι (2)

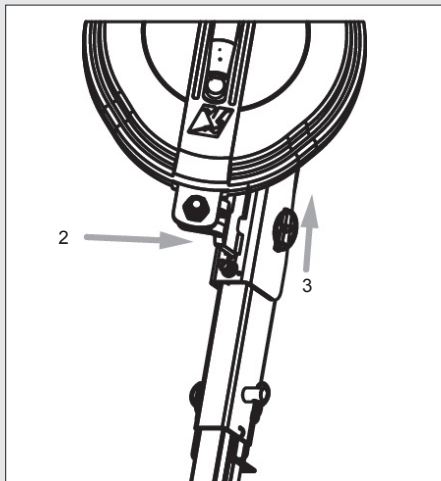
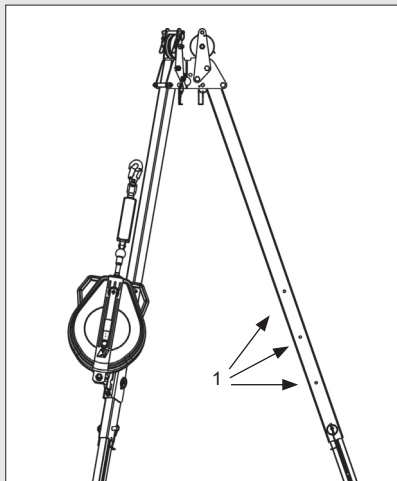


2. Με τη βίδα ελαφρώς χαλαρή, ωθήστε το βραχίονα άρθρωσης προς τη μονάδα blocfor™ για να κεντράρετε τη θέση του οδηγού του σχοινιού.
3. Σφίξτε το παξιμάδι του βραχίονα άρθρωσης



4.2.2 Τοποθέτηση του συγκροτήματος blocfor™ 20R/30R 150 kg και του βραχίονα ποδιού στο Tracode

1. Αφαιρέστε τον πείρο ασφάλισης και τοποθετήστε το blocfor™ 20R/30R 150 kg στο απαιτούμενο ύψος στο Tracode (υπάρχουν 3 πιθανές θέσεις) (1). Για αυτή την ενέργεια, ανατρέξτε στο εγχειρίδιο ειδικά για το Tracode.
2. Ωθήστε τον πείρο ασφάλισης μέσα από τις οπές στο βραχίονα ποδιού και μέσα από την οπή Tracode.
3. Στερεώστε τον πείρο ασφάλισης με την ελατηριωτή ασφάλεια



4.2.3 Τοποθέτηση του blocfor™ 20R/30R 150 kg σε δομή / σημείο αγκύρωσης.

- Το σημείο αγκύρωσης για το blocfor™ 20R/30R 150 kg πρέπει να είναι πάντα ψηλότερα από ή στο ίδιο ύψος με τα πόδια του χειριστή και ποτέ κάτω από αυτά.
- Χρησιμοποιήστε έναν σύνδεσμο σύμφωνα με το πρότυπο EN 362 για να συνδέσετε την αυτοσυμπυκνωμένη διάταξη αναστολής πτώσης blocfor™ 20R/30R στο σημείο αγκύρωσης ή σε δομή με φέρουσα ικανότητα όχι μικρότερη από 12 kN.

5. Λειτουργική αρχή

Εκτέλεση διάσωσης με το blocfor™ R



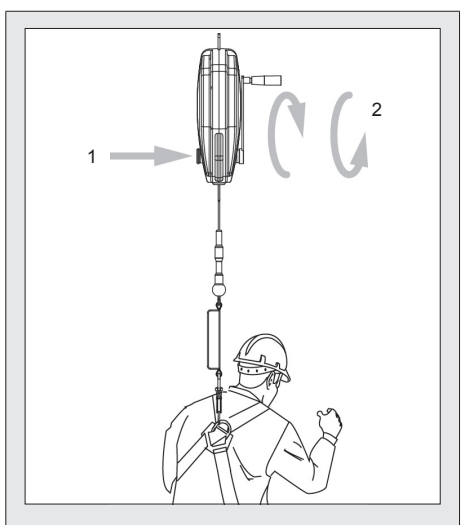
ΚΙΝΔΥΝΟΣ

Πρέπει να παρίσταται και δεύτερο πρόσωπο για την εκτέλεση διάσωσης, εφόσον, απαιτείται.

Οι απαιτούμενες ενέργειες διάσωσης πρέπει να σχεδιαστούν και να αξιολογηθούν εκ των προτέρων για να προσδιοριστεί το ανθρώπινο δυναμικό και ο εξοπλισμός που απαιτείται για τη διάσωση ενός αιωρούμενου ατόμου σε χρόνο μικρότερο των 15 λεπτών. Η μη τήρηση του ανωτέρω ορίου θέτει το άτομο που έχει υποστεί πτώση σε κίνδυνο.

5.1. Εμπλοκή της λειτουργίας ανάσυρσης (διάσωσης)

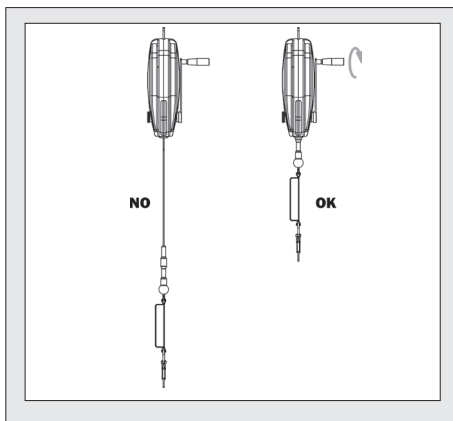
- (1) Πατήστε το κόκκινο κομβίο ασφάλισης για να εμπλέξετε τη λειτουργία ανάσυρσης.
- (2) Τραβήξτε προς τα έξω και στρέψτε τη διάταξη περιστροφής για τη διάσωση του χειριστή:
 - περιστρέψτε τη διάταξη περιστροφής δεξιόστροφα για να ανυψώσετε το χειριστή,
 - περιστρέψτε τη διάταξη περιστροφής αριστερόστροφα για να χαμηλώσετε το χειριστή.



5.2. Επιστροφή σε λειτουργία αναστολής πτώσης

5.2.1 Σύμπτυξη του καλωδίου στη διάταξη

Μόλις ολοκληρωθεί η διάσωση, συμπύκνωση το καλώδιο τελείως στη διάταξη περιστρέφοντας τη διάταξη περιέλιξης δεξιόστροφα.

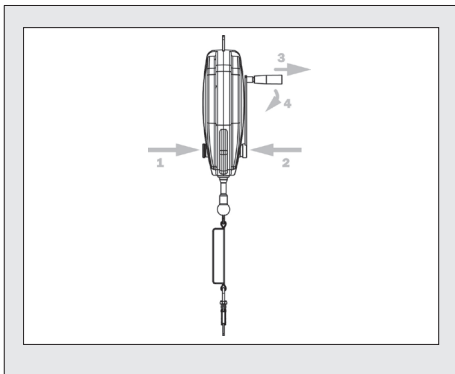


ΚΙΝΔΥΝΟΣ

Μην απεμπλέξετε τη λειτουργία ανάσυρσης της διάταξης, μέχρι το καλώδιο να συμπυκνωθεί πλήρως, δεδομένου ότι το καλώδιο μπορεί σε διαφορετική να ανασυρθεί αυτόνομα με επικίνδυνα υψηλή ταχύτητα.

5.2.2 Απεμπλοκή της λειτουργίας ανάσφυξης

- Για να απεμπλέξετε το μηχανισμό του βαρούλκου, πατήστε ταυτόχρονα το κόκκινο κομβίο (1) και στην άτρακτο της διάταξης περιέλιξης (2).
- Διασφαλίστε ότι η διάταξη περιέλιξης έχει κάθετο προσανατολισμό, με τη λαβή στο επάνω μέρος, κατά την εκτέλεση αυτής της ενέργειας.
- Τραβήξτε προς τα έξω τη λαβή (3) προτού την αναδιπλώσετε προς τα κάτω (4).



Ενέργειες ανύψωσης με το blocfor™ R

Το blocfor™ R δεν πρέπει να χρησιμοποιείται για ενέργειες ανύψωσης πέραν της ανύψωσης διάσωσης.

Το σύστημα βαρούλκου είναι σχεδιασμένο ειδικά για επιχειρήσεις διάσωσης.

Καθ' όλη τη διάρκεια της διάσωσης, πρέπει να διατηρείται άμεση ή έμμεση οπτική επαφή ή άλλα μέσα επικοινωνίας μεταξύ του διασώστη και των υπολοίπων προσώπων που εμπλέκονται στη διάσωση.

Για τις επιχειρήσεις διάσωσης, συστήνεται η χρήση άνετης εξάρτησης σύμφωνα με το πρότυπο EN 813 (όπως οι Promast™, Transport, Rescue) ή εξάρτησης με μίαντες διάσωσης σύμφωνα με το πρότυπο EN 1497.

6. Μη επιτρεπόμενη χρήση

Οι κάτωθι ενέργειες απαγορεύονται αυστηρά:

- η εγκατάσταση ή χρήση μιας αυτο-συμπυσσομένης διάταξης αναστολής πτώσης blocfor™ χωρίς εξουσιοδότηση, εκπαίδευση και πιστοποίηση της ικανότητας χρήσης της διάταξης ή, για κάθε πρόσωπο που δεν καλύπτει αυτές τις απαιτήσεις, χωρίς εποπτεία από πρόσωπο εξουσιοδοτημένο, εκπαιδευμένο και πιστοποιημένο ως κατάλληλο για τη χρήση της διάταξης.

- η χρήση μιας αυτο-συμπυσσομένης διάταξης αναστολής πτώσης blocfor™ εάν οποιαδήποτε σήμανση επ' αυτής δεν είναι ευανάγνωστη.
- η εγκατάσταση ή χρήση μιας αυτο-συμπυσσομένης διάταξης αναστολής πτώσης blocfor™ χωρίς προηγούμενη εκτέλεση των προκαταρκτικών ελέγχων.
- η χρήση μιας αυτο-συμπυσσομένης διάταξης αναστολής πτώσης blocfor™ η οποία δεν έχει υποβληθεί σε περιοδική επιθεώρηση κατά τους τελευταίους 12 μήνες από τεχνικό που εξέδωσε γραπτή εξουσιοδότηση αναφορικά με τη συνέχεια της χρήσης της.
- η σύνδεση μιας αυτο-συμπυσσομένης διάταξης αναστολής πτώσης blocfor™ σε σημείο που δεν έχει υποβληθεί σε περιοδική επιθεώρηση κατά τους τελευταίους 12 μήνες από τεχνικό που εξέδωσε γραπτή εξουσιοδότηση αναφορικά με τη συνέχεια της χρήσης του.
- Η χρήση μιας αυτο-συμπυσσομένης διάταξης αναστολής πτώσης blocfor™ για οποιαδήποτε εφαρμογή πέραν της αναστολής πτώσης ατόμων
- η στερέωση μιας αυτο-συμπυσσομένης διάταξης αναστολής πτώσης blocfor™ σε σημείο αγκύρωσης με χρήση άλλων μέσων ή εξοπλισμού.
- η χρήση μιας αυτο-συμπυσσομένης διάταξης αναστολής πτώσης blocfor™ με τρόπο που αντίκειται στις πληροφορίες που παρέχονται στην ενότητα «15. Λειτουργική ζωή».
- η χρήση μιας αυτο-συμπυσσομένης διάταξης αναστολής πτώσης blocfor™ ως σύστημα προστασίας από πτώση για περισσότερα από 1 άτομα.
- η χρήση μιας αυτο-συμπυσσομένης διάταξης αναστολής πτώσης blocfor™ για τη στήριξη φορτίου μεταξύ 100 κιλών και 150 κιλών (συνολικό βάρους του χειριστή, με τον εξοπλισμό και τα εργαλεία του) εάν οποιοδήποτε εξάρτημα του συστήματος αναστολής πτώσης έχει μικρότερο όριο φορτίου χρήσης.
- η χρήση μιας αυτο-συμπυσσομένης διάταξης αναστολής blocfor™ εάν έχει χρησιμοποιηθεί ήδη για την αναστολή πτώσης.
- η χρήση μιας αυτο-συμπυσσομένης διάταξης αναστολής πτώσης blocfor™ μέσο για τη διατήρηση της θέσης ενός ατόμου στη θέση εργασίας.
- η χρήση μιας αυτο-συμπυσσομένης διάταξης αναστολής πτώσης blocfor™ σε ιδιαίτερα διαβρωτική ή εκρηκτική ατμόσφαιρα.
- η χρήση μιας αυτο-συμπυσσομένης διάταξης αναστολής πτώσης blocfor™ εκτός του εύρους θερμοκρασιών που ορίζεται στο παρόν εγχειρίδιο.
- η χρήση μιας αυτο-συμπυσσομένης διάταξης αναστολής πτώσης blocfor™ εάν το διάκενο κάτω από το πρόσωπο δεν επαρκεί σε περίπτωση πτώσης.
- η χρήση μιας αυτο-συμπυσσομένης διάταξης αναστολής πτώσης blocfor™ εάν οποιοσδήποτε χρήστης δεν είναι σε καλή φυσική κατάσταση.
- η χρήση μιας αυτο-συμπυσσομένης διάταξης αναστολής πτώσης blocfor™ κατά την κύηση.
- η χρήση μιας αυτο-συμπυσσομένης διάταξης αναστολής πτώσης blocfor™ εάν η λειτουργία ασφαλείας που παρέχεται από οποιοδήποτε από τα

συνδυασμένα στοιχεία επηρεάζεται από τη λειτουργία ασφαλείας κάποιου άλλου στοιχείου ή παρεμβάλλεται σε αυτήν.

- η απελευθέρωση του ιμάντα μιας αυτο-συμπυσσομένης διάταξης αναστολής πτώσης blocfor™ όταν δεν έχει συμπιχθεί πλήρως (εικόνα 2.α).
- η χρήση μιας αυτο-συμπυσσομένης διάταξης αναστολής πτώσης blocfor™ για τη στήριξη του βάρους αντικειμένων ή εξοπλισμού.
- η αγκύρωση μιας αυτο-συμπυσσομένης διάταξης αναστολής πτώσης blocfor™ σε δομικό σημείο αγκύρωσης η φέρουσα ικανότητα φορτίου του οποίου είναι μικρότερη από 12 kN ή η οποία μπορεί να θεωρηθεί ότι είναι μικρότερη από 12 kN.
- η χρήση μιας αυτο-συμπυσσομένης διάταξης αναστολής πτώσης blocfor™ με κάθετη φωνία μεγαλύτερη από 20° (εικόνα 1.α).
- η χρήση του ιμάντα μιας αυτο-συμπυσσομένης διάταξης αναστολής πτώσης blocfor™ ως αναρτήρα.
- η αλλοίωση της ευθυγράμμισης μιας αυτο-συμπυσσομένης διάταξης αναστολής πτώσης blocfor™ με τον ιμάντα.
- η παρεμβολή στην ομαλή εκτύλιξη και σύμπτυξη του ιμάντα μιας αυτο-συμπυσσομένης διάταξης αναστολής πτώσης blocfor™.
- η εκτέλεση οποιασδήποτε εργασίας επισκευής ή συντήρησης σε μια αυτο-συμπυσσομένη διάταξη αναστολής πτώσης blocfor™ χωρίς προηγούμενη εκπαίδευση και γραπτή πιστοποίηση από την TRACTEL® (εικόνα 2.β).
- η χρήση μιας αυτο-συμπυσσομένης διάταξης αναστολής πτώσης blocfor™ ενώ δεν είναι πλήρης, εάν έχει προηγουμένως αποσυναρμολογηθεί ή εάν τα εξαρτήματά της αντικαταστάθηκαν από πρόσωπο που δεν φέρει την εξουσιοδότηση της TRACTEL®.
- η χρήση μιας αυτο-συμπυσσομένης διάταξης αναστολής πτώσης blocfor™ 20R/30R 150 kg από πρόσωπο το συνολικό σωματικό βάρος του οποίου, συμπεριλαμβανομένου του εξοπλισμού και των εργαλείων, υπερβαίνει τα 150 κιλά.
- η ανύψωση φορτίου χρησιμοποιώντας την αυτο-συμπυσσομένη διάταξη αναστολής πτώσης blocfor™ 20R/30R.
- η δημιουργία χαλαρού τμήματος σχοινιού κατά τη διάσωση με χαμηλόβαρο του προσώπου.

7. Εγκατάσταση

- Όποτε είναι δυνατό, το δομικό σημείο αγκύρωσης πρέπει να βρίσκεται ψηλότερα από το χειριστή. Η φέρουσα ικανότητα του δομικού σημείου αγκύρωσης δεν πρέπει να είναι μικρότερη από 12 kN.
- Η διάταξη πρέπει να συνδέεται στο σημείο αγκύρωσης ή στη δομή με σύνδεσμο σύμφωνο με το πρότυπο EN 362 ή χρησιμοποιώντας τη βίδα στο βραχίονα ποδιού Tractel που έχει σχεδιαστεί ειδικά για τα blocfor™ 20 και 30 R

- Κατά τη σύνδεση ενός συστήματος αναστολής πτώσης στην εξάρτηση αναστολής πτώσεων, αναφερθείτε στις ειδικές οδηγίες της εξάρτησης και του συστήματος αναστολής πτώσης ώστε να χρησιμοποιήσετε το σωστό σημείο αγκύρωσης καθώς και τη σωστή μέθοδο πρόσδεσης σε αυτό.

8. Στοιχεία και υλικά

- Σχοινιά: γαλβανισμένος χάλυβας
- Απορροφητής κραδασμών: PA + PES.
- Περιβλήμα: PA/ABS ή αλουμίνιο για τα μοντέλα 30 m.
- Εξαρτήματα αγκύρωσης: γαλβανισμένος χάλυβας

9. Σχετικός εξοπλισμός

Σύμφωνα με το πρότυπο EN 363, η αυτο-συμπυσσομένη διάταξη αναστολής πτώσης blocfor™ 20R/30R 150 είναι ένα εξάρτημα ενός συστήματος αναστολής πτώσης τα οποία πρέπει να αποτελείται από:

- Ένα σημείο αγκύρωσης (EN 795).
- Έναν σύνδεσμο άκρης (EN 362).
- Ένα σύστημα αναστολής πτώσης (EN 360) με σύστημα ανύψωσης διάσωσης (EN 1496).
- Έναν σύνδεσμο (EN 362).
- Μια εξάρτηση αναστολής πτώσεων (EN 361), (συστήνεται οπίσθιο (ραχιαίο) σημείο πρόσδεσης).

Κάθε άλλο στοιχείο του εμπλεκόμενου εξοπλισμού απαγορεύεται.

10. Αποθήκευση και συντήρηση

- Εάν η αυτο-συμπυσσομένη διάταξη αναστολής πτώσης blocfor™ λερωθεί, πρέπει να πλυθεί με καθαρό, κρύο νερό, εάν απαιτείται με απορροφητικό για ευαίσθητα υφάσματα και συνθετική βούρσα.
- Εάν η αυτο-συμπυσσομένη διάταξη αναστολής πτώσης blocfor™ βραχεί κατά τη χρήση ή ως αποτέλεσμα πλυσίματος, πρέπει να αφαιρεθεί να στεγνώσει φυσικά, μακριά από την άμεση ηλιακή ακτινοβολία και οποιαδήποτε πηγή θερμότητας.
- Πριν από τη μεταφορά και την αποθήκευση, τυλίξτε τον εξοπλισμό σε συσκευασία που θα τον προστατέψει από υγρασία και από ζημία (πηγές άμεσης θερμότητας, χημικά, UV, κ.λπ.).
- Ελέγξτε ότι το σύστημα διάσωσης μπορεί να εμπλακεί/απεμπλακεί σωστά.
- Ελέγξτε ότι το σχοινί δεν έχει υποστεί ζημία σε κανένα σημείο, σε όλο του το μήκος.
- Εάν η διάταξη έχει μολυνθεί, επικοινωνήστε με την Tractel® ή έναν από τους αντιπροσώπους της.

11. Συμμόρφωση εξοπλισμού

Η εταιρεία TRACTEL SAS RD 619 – Saint-Hilaire-sous-Romilly – F-10102 Romilly-sur-Seine, Γαλλία δηλώνει, με την παρούσα, πως ο εξοπλισμός ασφαλείας που περιγράφεται στο εγχειρίδιο αυτό είναι πανομοιότυπος

με τον εξοπλισμό που ελέγχθηκε ως προς τη συμμόρφωση με το πρότυπο EN 1496(2017) από την APAVE SUDEUROPE SAS – CS 60193 – 13322 Marseille – Γαλλία

12. Σήμανση

Εξήγηση ονομασίας του προϊόντος:

B X R ESD Z

B: αντιστοιχεί στο όνομα της διάταξης, blocfor™

X: ο τύπος της διάταξης blocfor™ στη σειρά (20 R / 30 R)

R: Μοντέλο ανάσχυσης (διάταξη ανύψωσης διάσωσης, EN 1496)

ESD: γενικός όρος της σειράς

Z: Τύπος συνδέσμου στο άκρο του συμπτυσσόμενου ιμάντα

Παράδειγμα:

B20 R ESD M47

Ένα μοντέλο ανάσχυσης αυτο-συμπτυσσόμενης διάταξης αναστολής πτώσης blocfor™ που ανήκει στη σειρά ESD, τύπος 20, εξοπλισμένο με σύνδεσμο M47 στην πλευρά του συμπτυσσόμενου ιμάντα.

Η ετικέτα κάθε αυτο-συμπτυσσόμενης διάταξης αναστολής πτώσης blocfor™ υποδεικνύει τα εξής:

α. Την εμπορική ονομασία: TRACTEL®.

β. Την ονομασία του προϊόντος,

γ. Το πρότυπο αναφοράς και το έτος εφαρμογής,

δ. Τον κωδικό αναφοράς του προϊόντος,

ε. Το λογότυπο CE ακολουθούμενο από τον αριθμό 0082, ήτοι τον αριθμό αναγνώρισης του κοινοποιημένου οργανισμού που είναι αρμόδιος για την παρακολούθηση της παραγωγής.

στ. Έτος και εβδομάδα κατασκευής.

ζ. Το σειριακό αριθμό,

η. Ένα εικονοσύμβολο που υποδεικνύει την ανάγνωση του εγχειριδίου πριν από τη χρήση της διάταξης,

ω. Όριο φορτίου χρήσης.

αα. Ημερομηνία του επόμενου περιοδικού ελέγχου.

αβ. Ελάχιστη φέρουσα ικανότητα του σημείου ακκύρωσης.

13. Περιοδικός έλεγχος και επίσκεψη

Ο ετήσιος περιοδικός έλεγχος είναι υποχρεωτικός, ωστόσο ανάλογα με τη συχνότητα χρήσης, τις περιβαλλοντικές συνθήκες και τον κανονισμό της επιχείρησης ή της χώρας χρήσης, οι περιοδικοί έλεγχοι μπορεί να πραγματοποιούνται συχνότερα.

Οι περιοδικοί έλεγχοι πρέπει να πραγματοποιούνται από εξουσιοδοτημένο και αρμόδιο τεχνικό και τηρουμένων

των διαδικασιών ελέγχου του κατασκευαστή που καταγράφονται στο αρχείο «Οδηγίες ελέγχου των ΜΑΠ της TRACTEL®».

Ο έλεγχος της αναγνωσιμότητας της σήμανσης επάνω στο προϊόν αποτελεί αναπόσπαστο τμήμα του περιοδικού ελέγχου.

Μετά το πέρας αυτού του περιοδικού ελέγχου, πρέπει να δηλώνεται εγγράφως η καταλληλότητα του ΜΑΠ για απόδοση σε χρήση από τον εξουσιοδοτημένο και αρμόδιο τεχνικό ο οποίος πραγματοποίησε τον έλεγχο. Αυτή η απόδοση σε χρήση του προϊόντος πρέπει να καταγραφεί στο δελτίο ελέγχου το οποίο βρίσκεται στο μέσο του παρόντος εγχειριδίου. Αυτό το φύλλο ελέγχου πρέπει να διατηρηθεί καθ' όλη τη διάρκεια λειτουργικής ζωής του προϊόντος μέχρι την απόσυσή του.

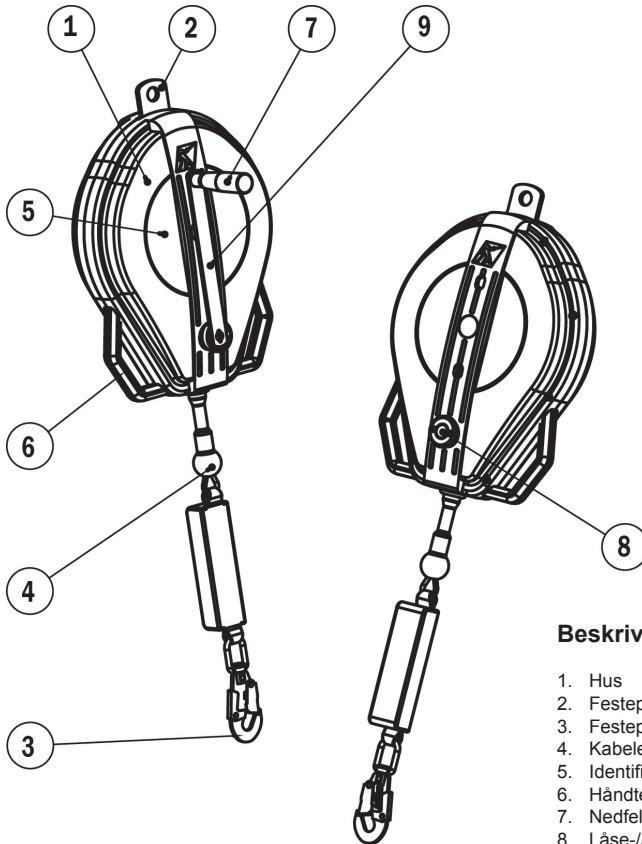
Μετά την ανακοπή πτώσης, το προϊόν αυτό πρέπει να υποβάλλεται σε περιοδικό έλεγχο όπως περιγράφεται στο τρέχον άρθρο. Τα υφασμάτινα μέρη του προϊόντος πρέπει να αντικαθίστανται, ακόμη κι εάν δεν εμφανίζουν ορατές αλλοιώσεις.

14. Λειτουργική ζωή

Τα υφασμάτινα ΜΑΠ της TRACTEL®, όπως οι εξαρτήσεις, οι ιμάντες, τα σχοινιά, οι αποσβεστήρες, τα μηχανικά ΜΑΠ της TRACTEL® όπως οι αναστολές πτώσης storcable™ και storfor™ και οι αναστολές πτώσης επαναφερόμενου τύπου blocfor™ και οι γραμμές διάσωσης TRACTEL® μπορούν να χρησιμοποιούνται υπό την προϋπόθεση ότι από την ημερομηνία κατασκευής τους θα αποτελούν αντικείμενο: – κανονικής χρήσης, σύμφωνα με τις συστάσεις χρήσης που παρέχονται στο παρόν εγχειρίδιο. – περιοδικού ελέγχου, ο οποίος πρέπει να πραγματοποιείται τουλάχιστον μία φορά ετησίως από εξουσιοδοτημένο και αρμόδιο τεχνικό. Μετά το πέρας αυτού του περιοδικού ελέγχου, πρέπει να δηλώνεται εγγράφως η καταλληλότητα του ΜΑΠ για απόδοση σε χρήση. – αποθήκευσης και μεταφοράς σε συμμόρφωση με τις προϋποθέσεις που υποδεικνύονται στο παρόν εγχειρίδιο.

15. Απόρριψη

Κατά την απόρριψη του προϊόντος, η ανακύκλωση των διαφόρων συστατικών μερών του μέσω διαλογής των υλικών σε μεταλλικά και συνθετικά είναι υποχρεωτική. Τα υλικά αυτά πρέπει να ανακυκλώνονται από εξειδικευμένους οργανισμούς. Κατά την απόρριψη, η αποσυρμαλόνηση για τον διαχωρισμό των συστατικών μερών πρέπει να πραγματοποιείται από αρμόδιο άτομο.



Beskrivelse:

1. Hus
2. Festepunkt til struktur
3. Festepunkt til sele
4. Kabelendestykke
5. Identifikasjonsmerke
6. Håndteringshåndtak
7. Nedfellbart håndtak
8. Låse-/åpneknapp
9. Spole

blocfor™ 20R/30R

Tekniske spesifikasjoner

Standarder: EN 360, EN 1496 klasse B

Modell	blocfor™ 20R ESD 150 kg	blocfor™ 30R ESD 150 kg
Vekt (kg)	9,34	16
Mål L x B x D (mm)	400 x 275 x 100	600 x 320 x 130
Lengde på galvanisert stålkabelmontering Ø 4,9 mm (m)	18	30
Inntrekkingskraft (N)	25	25
Fallsikringskraft (kN)	5	5
Fallsikringsavstand (mm)	800	800

blocfor™ er en serie CE-merkede, fallsikringsutstyr med automatisk inntrekking som overholder EU-direktivet om personlig verneutstyr. Samsvarserklæringen utstedt av sertifiseringsorganet APAVE, dekker dens bruk i samsvar med kravene som er angitt i standarden EN 360:2002.

Samsvarsertifikatet med hensyn til personlig verneutstyr utstedt av APAVE utelukker andre bruksområder, for eksempel samsvar med standard EN 1496:2017 om redningsløftesystemer.

1. Generelle advarsler spesifikke for sikringsutstyr

1. Før du bruker en blocfor™ fallsikring med automatisk inntrekking og for å sikre at utstyret brukes trygt og effektivt, er det viktig at brukeren har lest og forstått opplysningene i bruksanvisningen fra TRACTEL SAS. Bruksanvisningen må oppbevares på en slik måte at den alltid er tilgjengelig for alle brukere. Ekstra eksemplarer kan fås på forespørsel.
2. Før dette sikkerhetsutstyret brukes, er det viktig at brukere får opplæring i hvordan det skal brukes. Sjekk tilstanden på det tilhørende utstyret, og forsikre deg om det er tilstrekkelig plass for klaring ved fall.
3. blocfor™ fallsikring med automatisk inntrekking må kun brukes av opplært og sakkyndig personell, eller under tilsyn av opplært og sakkyndig personell.
4. Enhver blocfor™ fallsikring med automatisk inntrekking som ikke ser ut til å være i god stand, eller som allerede har vært brukt til å stoppe et fall, skal inspiseres sammen med alt tilhørende utstyr av TRACTEL SAS eller av en kvalifisert og godkjent tekniker, som må gi skriftlig autorisasjon om fortsatt bruk av systemet. Det anbefales å foreta en visuell kontroll før hver bruk.
5. Utstyret skal ikke gjennomgå endringer eller tillegg uten skriftlig godkjenning fra TRACTEL SAS. Utstyret må transporteres og oppbevares i originalemballasjen.
6. Enhver blocfor™ fallsikring med automatisk inntrekking som ikke har vært kontrollert i løpet av de 12 siste månedene, eller som allerede har stoppet et fall, må ikke brukes. Den kan først tas i bruk igjen etter at en ny periodisk kontroll har blitt utført av en sakkyndig og godkjent tekniker med myndighet til å gi en skriftlig bruksautorisasjon. I fravær av disse inspeksjonene og godkjenningene skal blocfor™ fallsikring med automatisk inntrekking demonteres og ødelegges.
7. Lastgrensen for blocfor™ fallsikring med automatisk inntrekking er 150 kg.
8. Dersom operatørens vekt pluss vekten av operatørens utstyr og verktøy er på mellom 100 kg

og 150 kg, er det svært viktig å forsikre seg om at denne totale vekten (operatør + utstyr + verktøy) ikke overstiger den maksimale brukslasten til noen av enkeltdelene som utgjør fallsikringssystemet.

9. Dette utstyret er egnet til bruk i friluft og innenfor et temperaturområde på -35 °C til +60 °C. Unngå enhver kontakt med skarpe kanter, slipende overflater og kjemiske stoffer.
10. Dersom du er ansvarlig for å utdele utstyret til en ansatt eller tilsvarende person, må dette skje i overensstemmelse med gjeldende lovgivning om helse og sikkerhet på arbeidsplassen.
11. Operatøren må være i god fysisk og psykisk form når han/hun bruker utstyret. Dersom det skulle være tvil om dette, må lege/bedriftslege oppsøkes. Gravide kvinner har ikke lov til å bruke utstyret.
12. Utstyret må ikke brukes utover dets bruksgrenser eller i andre situasjoner enn det er beregnet for (se avsnitt 4 – "Funksjoner og beskrivelse".)
13. Det er tilrådelig å tildele en blocfor™ fallsikring med automatisk inntrekking til hver operatør personlig, spesielt hvis operatøren er en ansatt.
14. Før et fallsikringssystem etter standarden EN 363 tas i bruk, må brukeren forsikre seg om at alle komponenter er i god stand og fungerer som de skal. Dette gjelder både sikkerhetssystemet og låsesystemet. Ved oppsett er det viktig å sikre at sikkerhetsfunksjonene ikke forringes på noen måte.
15. For et fallsikringssystem er det ytterst viktig å kontrollere frirommet under operatøren på arbeidsstedet før hver bruk, slik at det i tilfelle fall ikke finnes hindringer eller gjenstander i fallsonen, samt at brukeren ikke vil kolliderer med bakken (før fallsikringssystemet aktiveres).
16. En fallsikringssele er den eneste anordningen for oppfangning av kroppen som det er tillatt å bruke i et fallsikringssystem.
17. Det er svært viktig for operatørens sikkerhet at systemet eller forankringspunktet er riktig plassert, og at arbeidet utføres på en slik måte at risikoen for fall og høyden på fallet reduseres til et minimum.
18. For å sikre operatørens sikkerhet dersom utstyret selges utenfor det primære landet for tilsiktet salg, skal forhandleren utlevere en bruksanvisning og instruksjoner om vedlikehold, periodisk kontroll og reparasjonsarbeid, som alle skal være skrevet på språket i landet der utstyret skal brukes.
19. Lastgrensen er 150 kg for blocfor™ 20R/30R fallsikring med automatisk inntrekking, uavhengig av om utstyret brukes som fallsikring (EN 360) eller til redningsheising (EN 1496 klasse B).

NO

20. En redningsplan må utarbeides og finnes på bruksstedet.

MERK

For eventuelle spesielle bruksområder ber vi deg kontakte TRACTEL® S.A.S.

2. Definisjoner og piktogrammer

2.1. Definisjoner

"Bruker": Person eller avdeling som er ansvarlig for forvaltningen og trygg bruk av produktet som er beskrevet i denne bruksanvisningen.

"Tekniker": Sakkyndig person som har i oppgave å utføre vedlikeholdsarbeidene som er beskrevet og godkjent i bruksanvisningen. Teknikeren er sakkyndig og kjent med produktet.

"Operatør": En person som er i stand til å bruke produktet på tiltenkt måte.

"PVU": Personlig verneutstyr som gir beskyttelse mot fall fra høyde.

"Kontakt": Et koblingselement mellom komponenter i et fallsikringsystem. I samsvar med standard EN 362.

"Fallsikringssele": Kroppssele utformet for å stanse fall. Består av seler og spenner. Omfatter festepunkter merket med en A dersom det kan brukes alene, eller med A/2 dersom det må brukes sammen med et annet punkt merket A/2. Selen er i samsvar med standard EN 361.

"Fallsikring med automatisk inntrekking": En fallsikring med en automatisk låsefunksjon og et automatisk system som strammer og trekker tilbake den uttrekkbare linen.

"Uttrekkbar line": En livline som kobles til en fallsikring med automatisk inntrekking. Den kan være i form av en metallkabel, nylon eller syntetiske fibre, avhengig av typen utstyr.

"Lastgrense": Operatørens maksimale vekt utstyrt med egnede arbeidsklær, riktig PVU, verktøy og deler som er nødvendige for arbeidet som skal utføres.

"Fallsikringsystem": Sett bestående av følgende deler:

- Fallsikringssele.
- Fallsikring med automatisk inntrekking, støtdemper eller mobil fallsikringsanordning med faste eller fleksible festestøtter.
- Forankring.
- Forbindelseskomponent.

"Komponent i fallsikringsystemet": Generelt begrep som definerer et av de følgende elementene:

- Fallsikringssele.
- Fallsikring med automatisk inntrekking, støtdemper eller mobil fallsikringsanordning med faste eller fleksible festestøtter.
- Forankring.
- Forbindelseskomponent.

"Redningsløfteutstyr EN 1496 klasse B": Komponent eller underdel av et nødsystem brukt av en redningsperson til å heise en hengende person opp til et høyere punkt, og med en ekstra håndbetjent senkingsfunksjon for senking av personer over en avstand begrenset til 2 m.

"Redningsutstyr": individuelt system for beskyttelse mot fall som en person kan bruke til å redde seg selv eller andre slik at fallet forhindres.

2.2. Piktogrammer



FARE: Plasseres på begynnelsen av linen, refererer til instruksjoner hvis formål er å unngå skader på personer, herunder dødelige, alvorlige eller lette personskader, samt skader på miljøet.



VIKTIG: Plasseres på begynnelsen av linen, refererer til instruksjoner hvis formål er å hindre at utstyrsveikt oppstår eller for å unngå at utstyret blir skadet i situasjoner der livet eller helsen til operatøren eller andre ikke er i direkte fare, og/eller der skader på miljøet er usannsynlig.



MERK: Plasseres på begynnelsen av linen og refererer til instruksjoner hvis formål er å sikre effektiviteten eller egnetheten til en installasjon, hvordan den brukes eller for vedlikeholdsarbeid.

3. Bruksbetingelser

Kontroller før bruk:

- Sjekk tilstanden på hele linsens lengde:
 - Den syntetiske kabelen eller nettet må ikke vise tegn på slitasje, opptrevling, brannskader eller kutt.
 - Metallkabelen må ikke vise tegn på bøyning, slitasje, korrosjon eller ødelagte tråder.
- Sjekk at linsens låsenhet aktiveres når linsens ende trekkes kraftig, og at den vikles ut og inn normalt over hele lengden.
- Sjekk husets tilstand (ingen deformasjon, skruer på plass osv.).

- Kontroller kontaktens tilstand og virkemåte; ingen synlig deformasjon, kan åpnes, lukkes og låses.
- Kontroller tilstanden til komponentene som er forbundet med selen og med kontaktene. Se håndbøkene som er spesifikke for hvert produkt.
- Kontroller hele fallsikringssystemet.
- Kontroller at benbrakettene er ordentlig festet til bena på Tracpode-tripodstativet (se § 4.2.2).
- Kontroller at utstyret er satt til modus for fallsikring med automatisk inntrekking, dvs. at sikringsutstyret ikke er aktivert.
- Kontroller at enheten som låser linen, aktiveres når enden av linen trekkes kraftig, og at den vikles inn og ut normalt over hele lengden.
- Kontroller at sikringsfunksjonen aktiveres og frigjøres på riktig måte.
- Kontroller at enheten som låser linen, kan støtte lasten som er forbundet til linens ende, og at den kan vikles ut og inn normalt over hele lengden når visjens spole dreies.

4. Funksjoner og beskrivelse

4.1. blocfor™ 20R/30R 150 kg

- blocfor™ 20R/30R 150 kg fallsikring med automatisk inntrekking er en EN 360-kompatibel fallsikring med automatisk inntrekking. Se § 4 i den vedlagte håndboken for blocfor™ ESD - EN 360.
- Den er utstyrt med redningsinnretning for å heve eller senke den hengende personen (EN 1496 klasse B). Med denne sikringsfunksjonen kan en redningsperson heve og/eller senke den hengende personen etter et fall. Den kan brukes:
 - vertikalt når den er festet til et ankerpunkt.
 - i skrå stilling når den er festet til en benbrakett monteret på en Tracpode.
- Redningsfunksjonen frigjøres når blocfor™ brukes i fallsikringsmodus.
- Ved fall låses blocfor-utstyrets mekanisme for å stoppe enhver bevegelse. For å redde den hengende personen (ved heving eller senking) må du aktivere sikringsmekanismen ved å trykke på den røde låseknappen og deretter vri spolen.
- blocfor™ 20R/30R 150 kg fallsikring med automatisk inntrekking har to håndtak på huset for håndtering av enheten. De kan også brukes under en redningsoperasjon; hold et av betjeningshåndtakene med den ene hånden og vri spolen med den andre.
- En spesialdesignet benbrakett brukes til å sikre blocfor™ 20R/30R 150 kg fallsikring med automatisk inntrekking til et av benene på Tracpode-tripodstativet.
- Når du senker en hengende person, er redningsfunksjonen begrenset til en maksimal avstand på 2 meter. For å senke over lengre avstand kan du bruke en nedstigningsenhet som overholder EN 341.

4.2. Benbraketten

4.2.1 Montere blocfor™ 20R/30R til benbraketten

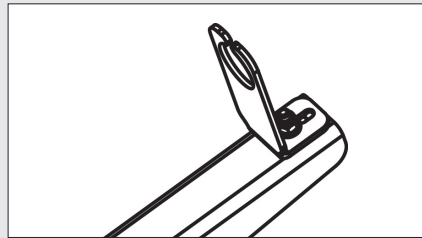


blocfor™ 20R/30R 150 kg fallsikring med automatisk inntrekking må ikke monteres på noen annen brakett enn benbraketten på Tractel Tracpode-tripodstativet.

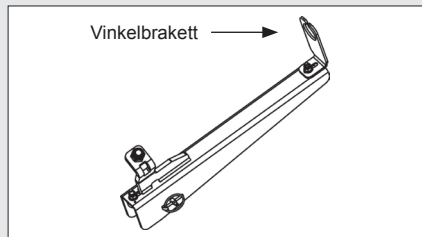
Forberede benbraketten

Plasser vinkelbraketten på enden av benbraketten i riktig posisjon i forhold til hvilken type blocfor™ som brukes – 20R eller 30R.

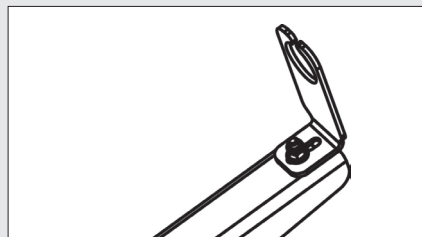
Plasser vinkelbraketten for å kunne motta en B20R



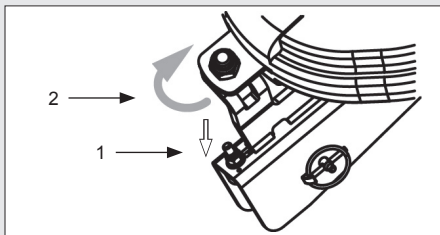
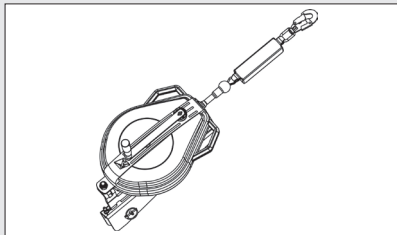
Komplett benbrakettmontering



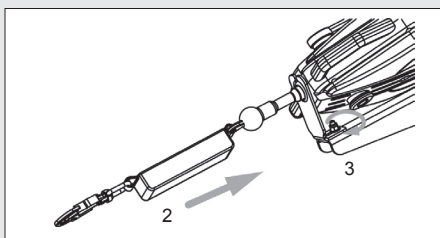
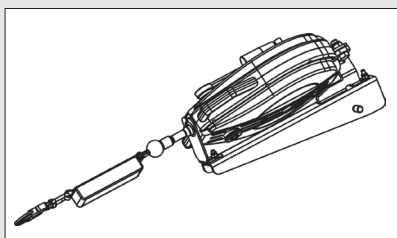
Plasser vinkelbraketten for å kunne motta en B30R



1. Plasser blocfor™ 20R/30R 150 kg slik at den passer over bolten øverst på benbraketten (1) og fest den ved å stramme låsemutteren (2) helt fast.



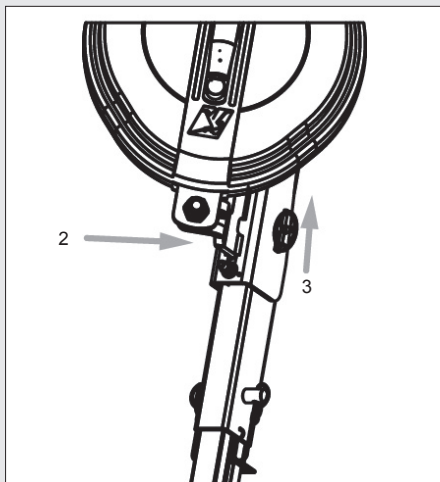
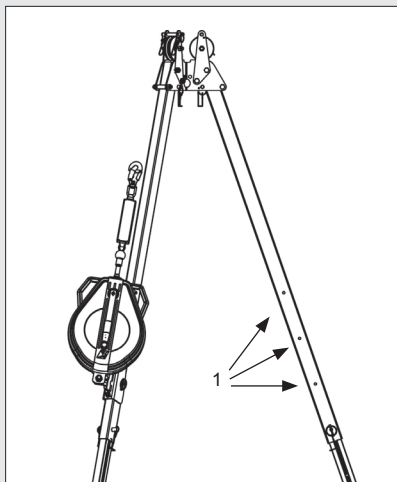
2. Når skruen er litt løs, skyver du vinkelbraketten opp mot blocfor™-enheten for å midtstille kabelføringens posisjon.
3. Stram vinkelbrakettens mutter.



NO

4.2.2 Montere blocfor™ 20R/30R 150 kg og benbrakettkomponenten på Tracpode

1. Fjern låsestiften og plasser så blocfor™ 20R/30R 150 kg i ønsket høyde på Tracpode (3 mulige stillinger) (1). Se brukerhåndboken for Tracpode for informasjon om denne operasjonen.
2. Skyv låsestiften gjennom hullene i benbraketten og gjennom hullet i Tracpode.
3. Fest låsestiften med fjærklipsen.



4.2.3 Montere blocfor™ 20R/30R 150 kg til en struktur / et forankringspunkt.

- Forankringspunktet for blocfor™ 20R/30R 150 kg må alltid være høyere enn eller på samme nivå som operatørens føtter, og aldri under.
- Bruk en EN 362-kontakt for å koble blocfor™ 20R/30R fallsikring med automatisk inntrekking til forankringspunktet eller til en struktur med en lastekapasitet på ikke mindre enn 12 kN.

5. Driftsprinsipp

Utføre en redningsoperasjon med en blocfor™ R



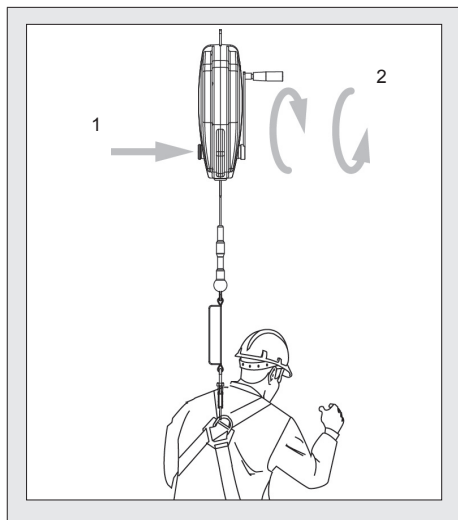
En andre person må være tilgjengelig i nærheten for å utføre en redningsoperasjon om nødvendig.

NO

De nødvendige redningsoperasjonene må undersøkes og vurderes på forhånd for å definere hvilke menneskelige ressurser og hva slags utstyr som er nødvendig for å redde en hengende person på mindre enn 15 minutter. Den fallne personen kan utsettes for fare hvis operasjonen ikke gjøres innen denne tiden.

5.1. Aktivere sikringsfunksjonen (redningsfunksjonen)

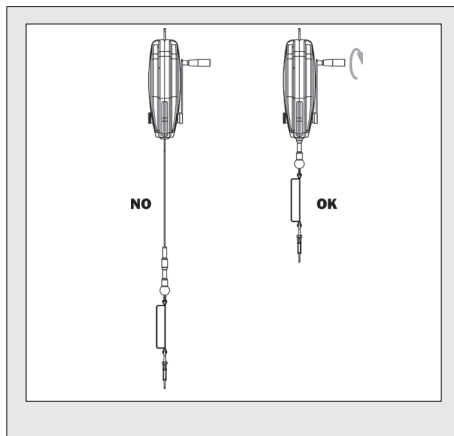
- (1) Trykk på den røde låseknappen for å aktivere sikringsfunksjonen.
- (2) Trekk ut og roter deretter spolen for å redde operatøren:
 - roter spolen med klokken for å heve operatøren,
 - roter spolen mot klokken for å senke operatøren.



5.2. Returnere til fallsikringsmodus

5.2.1 Snurre kabelen inn i enheten

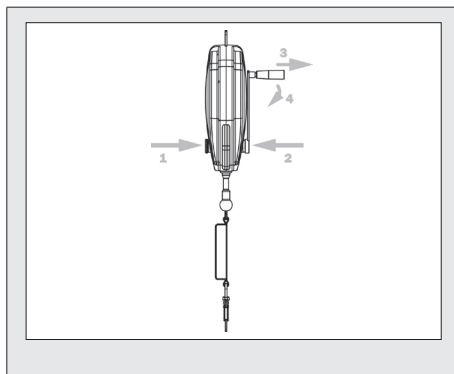
Når redningen er fullført, må du snurre kabelen helt inn i enheten ved å rotere spolen med klokken.



Ikke frigjør enhetens sikringsfunksjon før kabelen er fullstendig viklet inn i huset, da kabelen ellers kan trekke seg inn av seg selv med farlig høy hastighet.

5.2.2 Frigjøre sikringsmodus

- For å frigjøre vinsjemekanismen trykker du på den røde knappen (1) og på spolen (2) samtidig.
- Sørg for at spolen er orientert vertikalt med håndtaket øverst når du utfører denne operasjonen.
- Trekk ut håndtaket (3) før du folder det ned (4).





FARE

Løfteoperasjoner med blocfor™ R

blocfor™ R må ikke brukes til andre løfteoperasjoner enn redningsløfting.

Vinsjystemet er designet utelukkende for redningsoperasjoner.

For hele redningens varighet må direkte eller indirekte øyekontakt, eller annen kommunikasjonsmåte, opprettholdes mellom redningspersonen og de andre personene som er involvert i redningen.

For redningsoperasjoner anbefales bruk av en komfortabel EN 813-sele (for eksempel Promast™, Transport, Rescue) eller en sele utstyrt med EN 1497-redningstopper.

6. Forbudt bruk

Følgende er strengt forbudt:

- installasjon eller bruk av en blocfor™ fallsikring med automatisk inntrekking uten å være godkjent, opplært og anerkjent som kompetent til å bruke enheten eller, for dem som ikke oppfyller disse kravene, uten å bli overvåket av en person som er autorisert, opplært og anerkjent som kompetent til å bruke enheten.
- bruk av en blocfor™ fallsikring med automatisk inntrekking hvis noe av merkingen på den ikke er leselig.
- installere eller bruke en blocfor™ fallsikring med automatisk inntrekking uten først å ha utført de innledende kontrollene.
- bruke en blocfor™ fallsikring med automatisk inntrekking som ikke har vært gjenstand for periodisk inspeksjon i løpet av de siste 12 månedene, utført av en tekniker som godkjenner utstyret for fortsatt bruk skriftlig.
- koble en blocfor™ fallsikring med automatisk inntrekking til et forankringspunkt som ikke har vært gjenstand for periodisk inspeksjon i løpet av de siste 12 månedene, utført av en tekniker som godkjenner utstyret for fortsatt bruk skriftlig.
- bruke en blocfor™ fallsikring med automatisk inntrekking for ethvert annet bruksformål enn for fallsikring for personer.
- feste en blocfor™ fallsikring med automatisk inntrekking til et forankringspunkt ved hjelp av andre hjelpemidler eller utstyr.
- bruke en blocfor™ fallsikring med automatisk inntrekking på noen måte som strider mot informasjonen i avsnitt 15. "Levetid".
- bruke en blocfor™ fallsikring med automatisk inntrekking som fallsikringssystem for flere enn 1 person.
- bruke en blocfor™ fallsikring med automatisk inntrekking til å støtte en last på mellom 100 kg og 150 kg (total vekt av bruker pluss utstyr og verktøy) hvis noen komponenter i fallsikringssystemet har en lavere maksimal lastgrense.

- bruke en blocfor™ fallsikring med automatisk inntrekking hvis den allerede har blitt brukt til å stoppe et fall.
- bruke en blocfor™ fallsikring med automatisk inntrekking til å heve eller opprettholde posisjonen til en person på et arbeidssted.
- bruke en blocfor™ fallsikring med automatisk inntrekking i et svært etsende eller eksplosivt miljø.
- bruke en blocfor™ fallsikring med automatisk inntrekking utenfor temperaturområdet som er spesifisert i denne håndboken.
- bruke en blocfor™ fallsikring med automatisk inntrekking hvis klaringen under personen ikke er tilstrekkelig i tilfelle fall.
- bruke en blocfor™ fallsikring med automatisk inntrekking hvis noen av operatørene ikke er i god fysisk form.
- bruke en blocfor™ fallsikring med automatisk inntrekking hvis du er gravid.
- bruke en blocfor™ fallsikring med automatisk inntrekking hvis sikkerhetsfunksjonen til et av de tilknyttede produktene blir berørt av sikkerhetsfunksjonen til et annet produkt eller griper inn i denne.
- frigjøre linen på en blocfor™ fallsikring med automatisk inntrekking når den ikke er fullstendig viklet inn (*figur 2.a*).
- bruke en blocfor™ fallsikring med automatisk inntrekking til å støtte vekten av et utstyrselement.
- forankre en blocfor™ fallsikring med automatisk inntrekking til en støttestruktur som har en lasteevne på mindre enn 12 kN, eller som antas å være mindre enn 12 kN.
- bruke en blocfor™ fallsikring med automatisk inntrekking med en vertikal vinkel på over 20° (*figur 1.c*).
- bruke linen på en blocfor™ fallsikring med automatisk inntrekking som slynge.
- svekke justeringen av en blocfor™ fallsikring med automatisk inntrekking i forhold til utstyrets line.
- svekke enkel inn- og uttrekking av linen på en blocfor™ fallsikring med automatisk inntrekking.
- utføre reparasjons- eller vedlikeholdsarbeid på en blocfor™ fallsikring med automatisk inntrekking uten skriftlig opplæring og kvalifikasjon fra TRACTEL® (*figur 2.b*).
- bruke en blocfor™ fallsikring med automatisk inntrekking hvis den ikke er komplett, hvis den tidligere har vært demontert og remontert, eller hvis komponenter har blitt erstattet av en person som ikke er autorisert av TRACTEL®.
- bruk av en blocfor™ 20R/30R 150 kg fallsikring med automatisk inntrekking av en person med total masse – inkludert utstyr og verktøy – over 150 kg.
- løfte en last ved hjelp av en blocfor™ 20R/30R fallsikring med automatisk inntrekking.
- opprette en slakk del av kabelen når du redder en person ved å senke vedkommende.

NO

7. Installasjon

- Når det er mulig, skal strukturankerpunktet være høyere enn operatøren. Strukturankerpunktets lastkapasitet må ikke være mindre enn 12 kN.
- Enheten må kobles til ankerpunktet eller til strukturen ved hjelp av en EN 362-kontakt eller ved hjelp av skruen på Tractel-benbraketten beregnet spesielt for blocfor™ 20 og 30 R
- Når fallsikringssystemet kobles til fallsikringsselen, må du se bruksanvisningene for selen og fallsikringssystemet slik at du er sikker på at du bruker riktig forankringspunkt og riktig festemåte.

8. Komponenter og materialer

- Kabler: galvanisert stål
- Støtdemper: PA + PES.
- Hus: PA/ABS eller aluminium for 30 m modellene.
- Forankringskomponenter: galvanisert stål

9. Tilhørende utstyr

I henhold til standard EN 363 er blocfor™ 20R/30R 150 kg fallsikring med automatisk inntrekking en komponent i et fallsikringssystem som må bestå av:

- Et forankringspunkt (EN 795).
- En endekobling (EN 362).
- Et fallsikringssystem (EN 360) med et redningsløftesystem (EN 1496).
- En kobling (EN 362).
- En fallsikringssele (EN 361), (bakre (dorsalt) festpunkt anbefales).

Alle andre deler av tilhørende utstyr er forbudt.

10. Vedlikehold og oppbevaring

- Hvis en blocfor™ fallsikring med automatisk inntrekking er skitten, må den vaskes med rent, kaldt vann, om nødvendig med et rengjøringsmiddel for ømfintlige tekstiler, og ved hjelp av en syntetisk børste.
- Hvis en blocfor™ fallsikring med automatisk inntrekking blir våt under bruk eller som et resultat av vasking, må den tørke naturlig vekk fra direkte sollys og fra enhver varmekilde.
- Før transport og oppbevaring må utstyret pakkes i emballasje som holder fuktighet ute og beskytter mot skader (direkte varmekilder, kjemikalier, UV-stråling osv.).
- Kontroller at redningssystemet kan aktiveres/frigjøres på riktig måte.
- Kontroller at kabelaen ikke er skadet noe sted.
- Hvis enheten er tilsmusset, ber vi deg kontakte Tractel® eller en av forhandlerne.

11. Samsvarsopplysninger

TRACTEL SAS RD 619 – Saint-Hilaire-sous-Romilly – F-10102 Romilly-sur-Seine France erklærer med dette at sikkerhetsutstyret som er beskrevet i denne

håndboken, er identisk med utstyret som ble inspirert for samsvar med EN 1496(2017) av APAVE SUDEUROPE SAS – CS 60193 – 13322 Marseille – Frankrike

12. Merking

Forklaring av produktnavn:

B X R ESD Z

B: står for navnet på enheten, blocfor™

X: typen blocfor™-enhet i serien (20 R / 30 R)

R: Sikringsmodell (rednings redningsløfteinnretning, EN 1496)

ESD: et begrep som er generisk for serien

Z: Typen kontakt på linens ende

Eksempel:

B20 R ESD M47

En blocfor™ fallsikring med automatisk inntrekking tilhørende ESD-serien, type 20, utstyrt med en M47-kontakt på siden med den inntrekkbare linen.

Merkingen på hver blocfor™ fallsikring med automatisk inntrekking indikerer:

a. Varenavnet: TRACTEL®.

b. Produktets navn,

c. Referansestandard etterfulgt av året for ikrafttredelse,

d. Produktets referanse,

e. CE-logoen etterfulgt av nummeret 0082, identifikasjonsnummeret til det tekniske kontrollorganet ansvarlig for produksjonskontrollen,

f. Produksjonsår og -uke.

g. Serienummeret,

h. Et piktogram som indikerer at bruksanvisningen må leses før installasjon og bruk,

w. Lastgrense.

aa. Dato for neste periodiske kontroll.

ab. Forankringspunktets minste lastkapasitet.

13. Periodisk kontroll og reparasjon

Det er krav om én årlig kontroll, men det kan kreves kontroll oftere avhengig av hvor ofte produktet blir brukt, miljøbetingelsene og bedriftens eller brukslandets egne regelverk.

De periodiske kontrollene må kun utføres av kompetente og godkjente personer i overensstemmelse med produsentens kontrollmetoder som er nedtegnet i dokumentet med inspeksjonsanvisninger for TRACTEL®PVU.

Kontroll av at merkingen på produktet er leselig, er en obligatorisk del av den periodiske kontrollen.

Etter at den periodiske kontrollen er utført, må den autoriserte og sakkyndige teknikeren som utførte inspeksjonen, bekrefte skriftlig at utstyret kan brukes igjen. Ny idriftsettelse må registreres på inspeksjonsskjemaet som finnes i midten av denne håndboken. Dette inspeksjonsskjemaet må oppbevares gjennom hele produktets levetid, helt til produktet kasseres.

Etter å ha stoppet et fall må produktet gjennomgå en periodisk inspeksjon som beskrevet her. Produktets tekstilkomponenter må skiftes ut, selv om det ikke finnes synlige tegn på svekkelse.

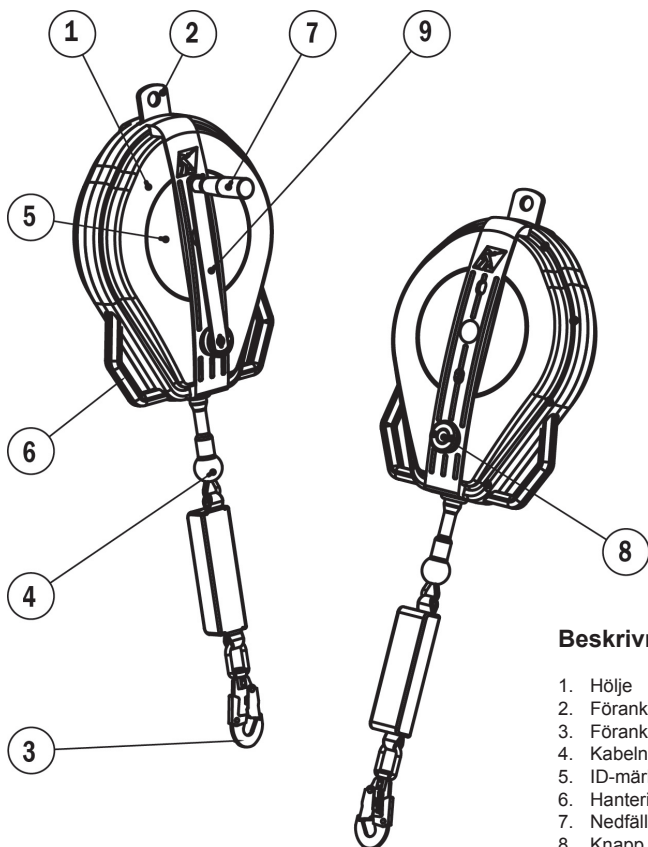
14. Levetid

Tekstilbasert TRACTEL® PVU som seler, liner, tau og støtdempere, TRACTEL® mekanisk PVU som stopcable™ og stopfor™ fallsikringer, blocfor™ fallsikring med automatisk inntrekking og TRACTEL® livliner kan brukes på den betingelse at de fra produksjonsdatoen:

- brukes normalt, i samsvar med anbefalingene gitt i denne bruksanvisningen.
- inspiseres periodisk minst én gang i året av en godkjent og sakkyndig tekniker. Etter at den periodiske kontrollen er utført, må det sertifiseres skriftlig at det personlig verneutstyret igjen kan tas i bruk.
- lagres og transporteres i samsvar med vilkårene som er angitt i denne bruksanvisningen.

15. Avfallshåndtering

Når produktet skal kasseres, er det obligatorisk å resirkulere de ulike komponentene ved å sortere materialer i metall og syntetiske materialer. Disse materialene skal leveres inn til resirkulering hos avfallsselskap. Ved kassering av produktet må demonteringen av de ulike komponentene foretas av en sakkyndig person.



Beskrivning:

1. Hölje
2. Förankringspunkt till struktur
3. Förankringspunkt till sele
4. Kabelns ände
5. ID-märkning
6. Hanteringshandtag
7. Nedfällbart handtag
8. Knapp för att låsa/låsa upp
9. Vev

blocofor™ 20R/30R

Tekniska specifikationer

Standarder: EN 360, EN 1496 klass B

Modell	blocofor™ 20R ESD 150 kg	blocofor™ 30R ESD 150 kg
Vikt (kg)	9,34	16
Dimensioner L x B x D (mm)	400 x 275 x 100	600 x 320 x 130
Längd på den galvaniserade stålkabeln Ø 4,9 mm (m)	18	30
Indragningskraft (N)	25	25
Fallhinderande kraft (kN)	5	5
Fallhinderande distans (mm)	800	800

blocfor™ är ett utbud av CE-märkt fallskyddsutrustning med automatisk retur som överensstämmer med EU-direktivet avseende personlig skyddsutrustning (PPE). Överensstämmelseintyget som utfärdas av certifieringsorganet APAVE täcker dess användning i enlighet med de krav som anges i standard EN 360:2002.

Överensstämmelseintyget som utfärdas av certifieringsorganet APAVE exkluderar tillämpningar som associeras med andra användningsområden, såsom överensstämmelse med standard EN 1496:2017, lyftanordningar för räddning.

1. Allmänna varningar som gäller specifikt för fallskyddssystem

1. Innan användning av fallskyddsutrustning med automatisk retur från blocfor™, är det viktigt att användaren läser och förstår informationen i handboken från TRACTEL SAS för att säkerställa en säker och effektiv användning av utrustningen. Bruksanvisningen ska förvaras tillgängligt för alla användare. Extra exemplar kan tillhandahållas på begäran.
2. Det är mycket viktigt att alla användare får utbildning i hur denna säkerhetsanordning ska användas innan de börjar använda den. Kontrollera tillhörande utrustningars skick och försäkra dig om att den vertikala fria höjden är tillräcklig.
3. Fallskyddsutrustningen med automatisk retur från blocfor™ får endast användas av utbildad och behörig personal, eller under direkt uppsikt av sådan personal.
4. Fallskyddsutrustningen med automatisk retur från blocfor™, och associerad utrustning, som inte verkar vara i gott skick, eller som redan har stoppat ett fall, måste granskas av TRACTEL SAS eller av en behörig och kompetent tekniker, som skriftligen ska tillåta fortsatt användning av systemet. Det rekommenderas att du genomför en visuell kontroll före varje användning.
5. Utrustningen ska inte modifieras och ingenting får läggas till i utrustningen utan föregående skriftligt godkännande från TRACTEL SAS. Utrustningen skall transporteras och förvaras i sin originalförpackning.
6. Fallskyddsutrustning med automatisk retur från blocfor™ som inte genomgått en periodisk översyn inom de senaste tolv månaderna eller som stoppat ett fall, får inte användas. Den får bara användas igen efter en ny regelbunden översyn utförd av en behörig och kompetent tekniker som skriftligen ska godkänna dess användning skriftligen. Om dessa granskningar och godkännanden inte har genomförts ska blocfor™ fallskyddsutrustning med automatisk retur monteras isär och förstöras.
7. Arbetsbelastningen för blocfor™ fallskyddsutrustning med automatisk retur är 150 kg.

8. Om operatörens vikt, plus vikten av dennes utrustning och verktyg är mellan 100 kg och 150 kg, är det viktigt att denna totala vikt (operatör + utrustning + verktyg) inte överstiger gränsen för arbetsbelastning för varje enskild komponent i fallskyddssystemet.
9. Utrustningen lämpar sig för användning på en arbetsplats utomhus och för ett temperaturintervall mellan -35°C och +60 °C. Undvik kontakt med vassa kanter, skrovliga ytor och kemiska produkter.
10. Om en anställd eller person med liknande befogenhet ska använda den här utrustningen ska tillämplig arbetslagstiftning följas.
11. Operatören skall vara i god fysisk och psykisk form vid användning av utrustningen. Vid tveksamhet ska du kontakta husläkare eller företagsläkare. Gravida kvinnor ska inte använda utrustningen.
12. Utrustningen får inte användas utöver de gränser som anges i anvisningen eller i en annan situation än den avsedda för utrustningen: se "4. Funktioner och beskrivning".
13. Det rekommenderas att tilldela blocfor™ fallskyddsutrustning med automatisk retur till varje operatör personligen, särskilt om operatören är en medarbetare.
14. Före användning av ett EN 363-klassad fallskyddsutrustning med automatisk retur skall användarna säkerställa att alla komponenter är i gott skick: säkerhetssystem och låsning. När den konfigureras är det viktigt att se till att säkerhetsfunktionerna inte har försämrats på något sätt.
15. Före användning av ett fallskyddssystem måste du kontrollera att fritt utrymme finns under operatören på dennes arbetsplats, så att de inte riskerar kollision med marken eller ett fallhinder i händelse av fall (innan fallskyddssystemet aktiveras).
16. Endast säkerhetssele får användas för att fånga upp kroppen i ett fallskyddssystem.
17. Det är ytterst viktigt för operatörens säkerhet att fallskyddssystemet eller förankringspunkten sitter rätt och att arbetet utförs på ett sätt som minimerar fallrisken från arbetshöjden.
18. För operatörens säkerhet, i de fall produkten säljs vidare utanför det land där användning i första hand avses, ska återförsäljaren tillhandahålla en bruksanvisning, anvisningar för underhåll och regelbundna inspektioner samt reparationsanvisningar på språket i det land produkten ska användas.
19. Arbetsbelastningsgränsen är 150 kg för blocfor™ 20R/30R fallskyddsutrustning med automatisk retur, oavsett om denna används som ett fallskyddssystem (EN 360) eller för räddningslyft (EN 1496 klass B).
20. En räddningsplan måste upprättas och vara beredd att utföras.

SE

**OBS!**

Vid speciella tillämpningar ber vi dig att kontakta
TRACTEL® S.A.S.

2. Definitioner och symboler

2.1. Definitioner

“Användare”: Person eller avdelning ansvarig för hantering och säker användning av produkten såsom beskrivs i manualen.

“Tekniker”: Kvalificerad person som har i uppdrag att utföra underhållsarbete som beskrivs i och auktoriseras i handboken. Teknikern ska vara kunnig och bekant med utrustningen.

“Operatör”: Person som använder och sköter produkten i enlighet med avsett bruk.

“PPE”: Personlig skyddsutrustning som skyddar vid fall från höjder.

“Kopplingsanordning”: Ett kopplingselement mellan komponenterna i ett fallskyddssystem. Det överensstämmer med standarden EN 362.

“Fallskyddssele”: Gripanordning för människokroppen avsedd att stoppa fall. Den består av remmar och spännen. Den innefattar A-märkta fallskyddsfästpunkter om de kan användas för sig, eller märkta med A/2 om de ska användas tillsammans med en A/2-punkt. Selen överensstämmer med standarden EN 361.

“Fallskyddsutrustning med automatisk retur”: En fallskyddsutrustning med en automatisk låsfunktion och ett automatiskt system som spänner och drar tillbaka den indragbara vajern.

“Indragbar vajer”: En del av livlinan som ansluter till ett fallskydd med automatisk retur. Den kan bestå av metallvajer, trådar eller syntetiska fibrer beroende på vilken typ av enhet det gäller.

“Gräns för arbetsbelastning”: Maximal vikt för den operatör som bär korrekt arbetskläder och rätt PSU, verktyg och de delar som krävs för att utföra den planerade arbetsuppgiften.

“Fallskyddssystem”: Set som består av följande delar:

- Fallskyddssele.
- Fallskyddsutrustning med automatisk retur, eller stötenergidämpare, eller mobil fallskyddsutrustning med fast repbroms, eller mobil fallskyddsutrustning med flexibel repbroms.
- Förankring.
- Förbindningselement.

“Element i fallskyddssystemet”: Allmän term som definierar något av följande element:

- Fallskyddssele.
- Självindragande fallskyddsutrustning, eller stötenergidämpare, eller mobil fallskyddsutrustning med fast repbroms, eller mobil fallskyddsutrustning med flexibel repbroms.
- Förankring.
- Förbindningselement.

“Lyftanordning för räddningsändamål EN 1496 klass B”: komponent eller underenhet av ett räddningssystem som används av räddare för att vinscha en upphängd person från en lägre till en högre plats och som har en extra handdriven sänkningsfunktion för att sänka en person över ett avstånd begränsat till 2 m.

“Räddningsutrustning”: individuellt system för skydd mot fall där en individ kan självrädda eller rädda andra individer, så att alla former av fall förhindras.

2.2. Symboler



FARA: Placerad i början av raden, betecknar detta instruktioner avsedda att förhindra personskador, i synnerhet sådana med dödlig utgång, svåra eller lätta skador samt miljöskador.



VIKTIGT: Placerad i början av raden, betecknar detta instruktioner avsedda att förhindra ett fel på utrustningen eller en skada, men utan att direkt äventyra operatörens eller andra personers liv eller hälsa och/eller som inte sannolikt orsakar miljöskador.



OBS! Placerad i början av raden, betecknar instruktioner avsedda att säkerställa effektiviteten och lämpligheten av en installation, för hur den används eller för underhållsarbete.

3. Användarvillkor

Kontrollera följande före användning:

- Kontrollera vajerns skick över hela dess längd:
 - Den syntetiska kabeln eller trådarna får inte uppvisa tecken på nötning, fransning, bränn- eller skärskador.
 - Metallkabeln får inte uppvisa några tecken på knutar, nötning, korrosion eller brutna trådar.
- Kontrollera att vajerns låsenhet är aktiverad när vajern ände kraftigt dras åt och att den kan dras in och dras ut på ett normalt sätt över hela dess längd.
- Kontrollera höljets skick (inga deformationer, skruvar fastsatta etc.).
- Kontrollera kopplingsanordningarnas skick och funktion: inga synliga skador och att det är möjligt att öppna, stänga och låsa dem.
- Kontrollera skicket på de komponenter som är kopplade till selen och med kopplingsanordningarna.

Se manualen för varje specifik produkt.

- Kontrollera hela fallskyddssystemet.
- Kontrollera att benkonsolerna är ordentligt fastsatta på tracpodens ben (se § 4.2.2)
- Kontrollera att utrustningen är inställd på fallskyddsutrustning med automatisk retur: dvs. med återställningsanordningen inaktiverad.
- Kontrollera att enheten som låser vadjern är aktiverad när vadjerns ände kraftigt dras åt och att den kan dras in och dras ut på ett normalt sätt över hela dess längd.
- Kontrollera att återställningsanordningen aktiveras och kopplas från på ett korrekt sätt.
- Kontrollera att enheten som låser vadjern kan tåla den belastning som påförs vadjerns ände och att den kan dras in och dras ut på ett normalt sätt över hela dess längd när vinchens vev roterar.

4. Funktioner och beskrivning

4.1. blocfor™ 20R/30R 150 kg

- blocfor™ 20R/30R 150 kg fallskyddsutrustning med automatisk retur är fallskyddsutrustning med automatisk retur som överensstämmer med standarden EN 360: se § 4 i bifogad manual för blocfor™ ESD - EN 360.
- Den är utrustad med en räddningsanordning för att höja eller sänka den upphissade personen (EN 1496 klass B): denna återställningsfunktion gör att räddare kan höja och/eller sänka den upphissade personen efter ett fall. Den kan användas:
 - vertikalt när den är säkrad till en förankringspunkt
 - i en lutande position när den är säkrad till en benkonsol som är fastsatt på en tracpode.
- Räddningsfunktionen är fränkopplad när blocfor™ används i ett fallskyddsläge.
- I händelse av ett fall kommer blocfor-mekanismen att låsas för att förhindra alla rörelser. För att rädda den upphissade personen (genom höjning eller sänkning), ska du aktivera återställningsmekanismen genom att trycka på den röda lås-knappen och därefter vrida på veven.
- blocfor™ 20R/30R 150 kg fallskyddsutrustning med automatisk retur har två handtag på höljet för att hantera enheten. De kan även användas när en räddningsoperation ska utföras – håll i ett av handtagen med en hand och vrid i veven med den andra.
- En specialdesignad benkonsol används för att säkra blocfor™ 20R/30R 150 kg fallskyddsutrustning med automatisk retur till ett av tracpodens ben.
- Vid nedsänkning av en upphissad person är räddningsfunktionen begränsad till ett maximalt avstånd på 2 meter. För att sänka över ett längre avstånd, ska du använda en nedfirmingsenhet som överensstämmer med standarden EN 341.

4.2. Benkonsolen

4.2.1 Montera blocfor™ 20R/30R till benkonsolen

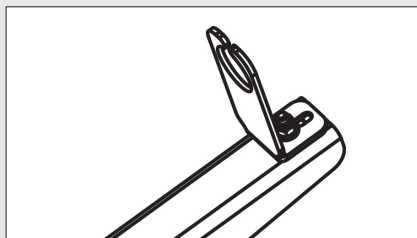


blocfor™ 20R/30R 150 kg fallskyddsutrustning med automatisk retur får inte monteras på någon annan konsol än Tractels tracpode-benkonsol.

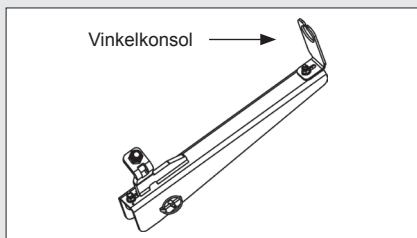
Förbereda benkonsolen

Positionera vinkelkonsolen i slutet av benkonsolen i rätt läge för den typ av blocfor™ som används: 20R eller 30R.

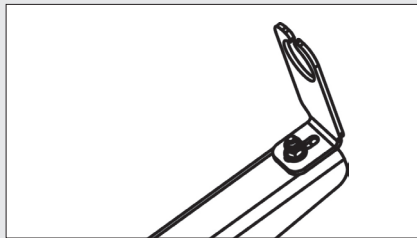
Vinkelkonsolens position för att fästa en B20R



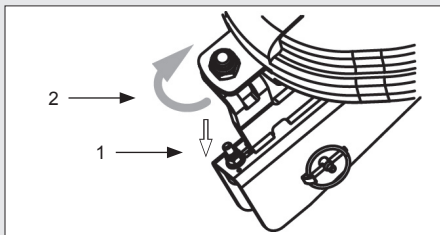
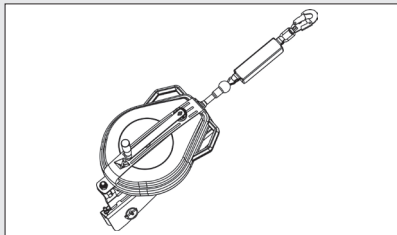
Färdigmonterad benkonsol



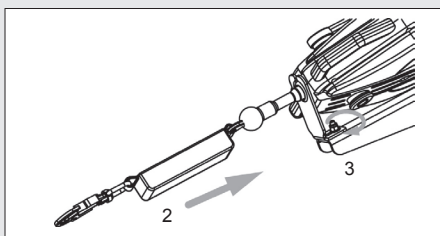
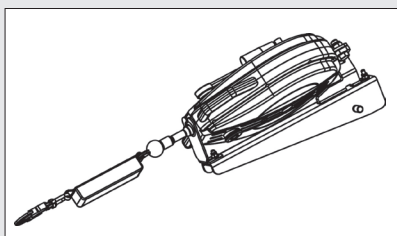
Vinkelkonsolens position för att fästa en B30R



1. Positionera blocfor™ 20R/30R 150 kg så att den passar över bulten överst på benkonsolen (1) och säkra den genom att dra åt låsmuttern ordentligt (2)



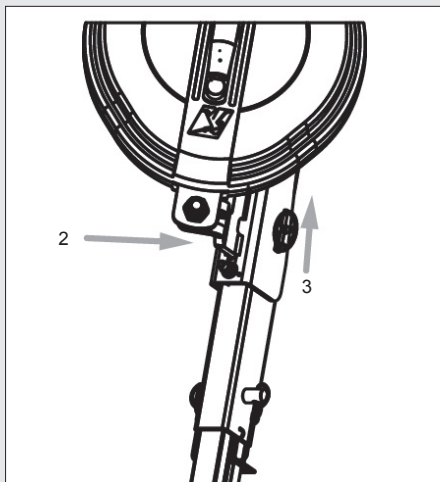
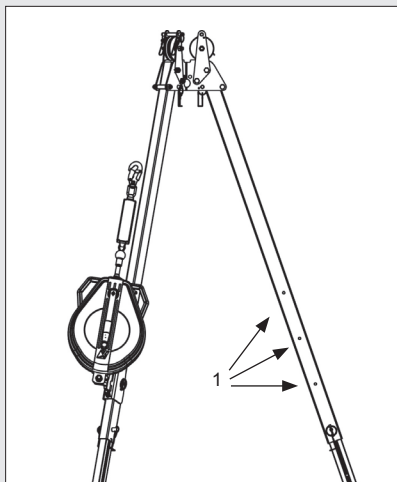
2. Medan skruven fortfarande sitter löst, trycker du vinkelkonsolen upp mot blocfor™-enheten för att centralisera kabelstyrningens position.
3. Dra åt vinkelkonsolens mutter



SE

4.2.2 Montera blocfor™ 20R/30R 150 kg och benkonsolen på tracpoden

1. Ta bort låsstiftet och positionera blocfor™ 20R/30R 150 kg i nödvändig höjd på tracpoden (det finns 3 möjliga positioner) (1). Se bruksanvisningen som gäller för tracpoden för denna procedur.
2. Skjut låsstiftet genom hålen i benkonsolen och genom hålet i tracpoden.
3. Säkra låsstiftet med hjälp av fjäderklämman



4.2.3 Montera blocfor™ 20R/30R 150 kg på en struktur/förankringspunkt.

- Förankringspunkten för blocfor™ 20R/30R 150 kg måste alltid vara högre eller på samma nivå som operatörens fötter och aldrig lägre.
- Använd en EN 362-kopplingsanordning för att koppla blocfor™ 20R/30R fallskyddsutrustning med automatisk retur till förankringspunkten eller till en struktur vars belastningskapacitet inte får understiga 12 kN.

5. Driftsprincip

Utföra en räddningsoperation med en blocfor™ R

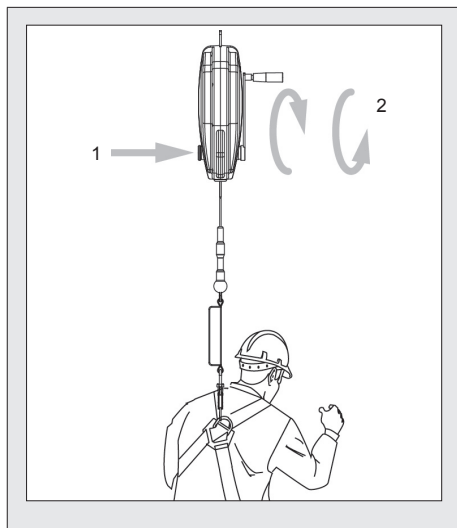


En andra person måste finnas tillgänglig i närheten för att utföra en räddningsoperation om det behövs.

De räddningsåtgärder som krävs måste studeras och utvärderas i förväg för att fastställa de mänskliga resurser och den utrustning som är nödvändig för att rädda en upphissad person på mindre än 15 minuter. Underlåtenhet att uppfylla denna tidsgräns medför fara för den fallande personen.

5.1. Aktivera funktionen för återställning (räddning)

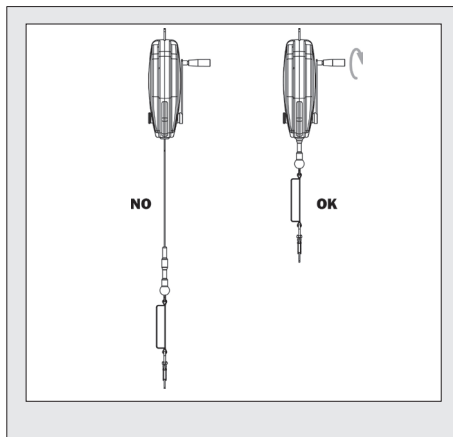
- (1) Tryck på den röda lås-knappen för att aktivera återställningsfunktionen.
- (2) Dra ut och vrid sedan i vevreglaget för att rädda operatören:
 - vrid veven medurs för att höja operatören,
 - vrid veven moturs för att sänka operatören.



5.2. Återgå till fallskyddsläge

5.2.1 Veva in kabeln i enheten

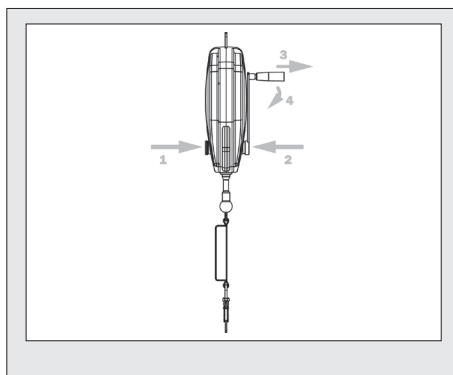
När räddningsåtgärden har slutförts, vev du in kabeln helt i enheten genom att vrida vevreglaget medurs.



Koppla inte ur enhetens återställningsfunktion förrän kabeln har dragits in fullständigt i sitt hölje, eftersom kabeln annars kan dra in sig själv med farligt hög hastighet.

5.2.2 Frånkoppling av återställningsläge

- För att koppla från vinschmekanismen trycker du samtidigt på den röda knappen (1) och på vevens axel (2).
- Säkerställ att veven befinner sig i vertikalt läge, med handtaget uppåt, när denna åtgärd utförs.
- Dra ut handtaget (3) innan du faller ned det (4).





Lyftoperationer med blocfor™ R

blocfor™ R får ej användas för några andra lyftoperationer än de som avser räddningslyft. Vinschsystemet är utformat specifikt för räddningsoperationer.

Under hela den tid då räddningsoperationen pågår måste direkt eller indirekt visuell kontakt, eller annan form av kommunikation, upprätthållas mellan räddaren och de övriga personer som är involverade i räddningsaktionen.

För räddningsoperationer rekommenderas användning av en bekväm EN 813-sele (till exempel Promast™, Transport, Räddning), eller en sele utrustad med EN 1497-räddningsremmar.

6. Förbjuden användning

Följande är strängt förbjudet:

- Installering eller användning av blocfor™ fallskyddsutrustning med automatisk retur utan att vara auktoriserad, utbildad och med nödvändig kompetens för att använda enheten eller, att någon som inte uppfyller dessa krav använder den utan handlingning av någon som är auktoriserad, utbildad och har nödvändig kompetens för att använda enheten.
- Använda blocfor™ fallskyddsutrustning med automatisk retur om några av produktens märkningar inte är läsbara.
- Installera eller använda blocfor™ fallskyddsutrustning med automatisk retur utan att först ha utfört de förberedande kontrollerna.
- Använda blocfor™ fallskyddsutrustning med automatisk retur som inte har varit föremål för regelbunden inspektion under de senaste 12 månaderna, utförd av en tekniker som skriftligen godkände fortsatt användning av produkten.
- Koppla blocfor™ fallskyddsutrustning med automatisk retur till en punkt som inte har varit föremål för regelbunden inspektion under de senaste 12 månaderna utförd av en tekniker som skriftligen godkände fortsatt användning av produkten.
- Använda blocfor™ fallskyddsutrustning med automatisk retur för andra ändamål än fallskydd för personer.
- Fästa blocfor™ fallskyddsutrustning med automatisk retur till sin förankringspunkt på andra sätt eller med annan utrustning.
- Använda blocfor™ fallskyddsutrustning med automatisk retur på ett sätt som står i motsats till informationen som anges i avsnitt "15. Livslängd".
- Använda blocfor™ fallskyddsutrustning med automatisk retur som ett fallskyddssystem för fler än en (1) person.
- Använda blocfor™ fallskyddsutrustning med automatisk retur med en belastning på mellan 100 kg och 150 kg (total vikt för operatör, utrustning

och verktyg) om någon av komponenterna i fallskyddssystemet har en lägre gräns för arbetsbelastning.

- Använda blocfor™ fallskyddsutrustning med automatisk retur om den har använts för att förhindra ett fall.
- Använda blocfor™ fallskyddsutrustning med automatisk retur för att hissa upp eller upprätthålla positionen för en person i arbete.
- Använda blocfor™ fallskyddsutrustning med automatisk retur i en väldigt korrosiv eller explosiv atmosfär.
- Använda blocfor™ fallskyddsutrustning med automatisk retur bortom det temperaturintervall som anges i denna manual.
- Använda blocfor™ fallskyddsutrustning med automatisk retur om det fria utrymmet under personen inte är tillräckligt i händelse av ett fall.
- Använda blocfor™ fallskyddsutrustning med automatisk retur om några av dess användare inte är i god fysisk form.
- Använda blocfor™ fallskyddsutrustning med automatisk retur om du är gravid.
- Använda blocfor™ fallskyddsutrustning med automatisk retur om en tillhörande komponents säkerhetsfunktion påverkas eller störs av en annan komponents säkerhetsfunktion.
- Lösgöra vajer i blocfor™ fallskyddsutrustning med automatisk retur när den inte har dragits in ordentligt (*bild 2.a*).
- Använda blocfor™ fallskyddsutrustning med automatisk retur för att stöja utrustningsvikt.
- Förankra blocfor™ fallskyddsutrustning med automatisk retur till en strukturell förankringspunkt vars lastbärande kapacitet är mindre än 12 kN, eller som kan antas vara mindre än 12 kN.
- Använda blocfor™ fallskyddsutrustning med automatisk retur med en vertikal vinkel som överstiger 20° (*bild 1.c*).
- Använda vajer i blocfor™ fallskyddsutrustning med automatisk retur som en bärsele.
- Förhindra justeringen av blocfor™ fallskyddsutrustning med automatisk retur till dess vajer.
- Förhindra den smidiga in- och utdragningen av vajer i blocfor™ fallskyddsutrustning med automatisk retur.
- Reparera eller underhålla blocfor™ fallskyddsutrustning med automatisk retur utan att först ha genomgått utbildning och erhållit skriftlig behörighet av TRACTEL® (*bild 2.b*).
- Använda blocfor™ fallskyddsutrustning med automatisk retur om den inte är fullständig, om den tidigare har nedmonterats och monterats igen, eller om komponenterna har bytts ut av en person som inte är auktoriserad av TRACTEL®.
- Användning av blocfor™ 20R/30R 150 kg fallskyddsutrustning med automatisk retur av en person vars totala vikt, inklusive utrustning och verktyg, överstiger 150 kg.
- Lyfta en last med hjälp av blocfor™ 20R/30R fallskyddsutrustning med automatisk retur.
- Låta en del av kabeln slakna under en räddningsoperation genom att sänka personen.

7. Installation

- Där det är möjligt bör den strukturella förankringspunkten befinna sig högre upp än operatören. Förankringspunktens lastbärande kapacitet får inte understiga 12 kN.
- Anordningen måste vara kopplad till förankringspunkten eller till strukturen med en EN 362-kopplingsanordning, eller med hjälp av skruven på Tractel-benkonsolen som är konstruerad speciellt för blocfor™ 20 och 30 R
- När fallskyddssystemet kopplas till fallskyddsselen rådfrågar du den bruksanvisning som gäller för selen och fallskyddssystemet, för att använda rätt förankringspunkt och rätt metod för att koppla fallskyddsutrustningen till selen.

8. Komponenter och materialämnena

- Kablar: galvaniserat stål
- Stötdämpare: PA + PES.
- Hölje: PA/ABS eller aluminium för modellerna på 30 m.
- Förankringskomponenter: galvaniserat stål

9. Kompletterande utrustning

I enlighet med standarden EN 363, är blocfor™ 20R/30R 150 kg fallskyddsutrustning med automatisk retur en komponent i ett fallskyddssystem som måste bestå av:

- En förankringspunkt (EN 795).
- En kopplingsanordning för ändpunkt (EN 362).
- Ett fallskyddssystem (EN 360) med lyftanordningar för räddning (EN 1496).
- En kopplingsanordning (EN 362).
- En fallskyddssele (EN 361), (bakre (dorsal) förankringspunkt rekommenderas).

All annan utrustning eller kompletterande utrustning är förbjuden.

10. Underhåll och förvaring

- Om blocfor™ fallskyddsutrustning med automatisk retur är smutsig ska den rengöras med rent, kallt vatten, om så är nödvändigt ska du använda ett tvättmedel för ömtåligt material och en syntetisk borste.
- Om blocfor™ fallskyddsutrustning med automatisk retur blir blöt under användning eller på grund av rengöring ska du låta den torka på ett naturligt sätt, utan direkt solljus och värmekällor.
- Före transport och förvaring ska du förpacka utrustningen för att skydda mot fukt och skada (direkta värmekällor, kemikalier, UV, mm.).
- Kontrollera att fallskyddssystemet kan aktiveras/kopplas från på ett korrekt sätt.
- Kontrollera att kabeln inte är skadad vid någon punkt över hela dess längd.
- Om anordningen är nedsmutsad kontaktar du Tractel® eller en av deras återförsäljare.

11. Utrustningens överensstämmelse

TRACTEL SAS RD 619 – Saint-Hilaire-sous-Romilly – F-10102 Romilly-sur-Seine France förklarar härmed att den säkerhetsutrustning som beskrivs i denna bruksanvisning är identisk med den utrustning som inspekterades för att uppfylla standarden EN 1496(2017) by APAVE SUDEUROPE SAS – CS 60193 – 13322 Marseille – France

12. Märkning

Förklaring av produktnamnet:

B X R ESD Z

B: refererar till anordningens namn, blocfor™

X: typen av blocfor™-anordning i utbudet (20 R / 30 R)

R: Återställningsmodell (lyftanordning för räddningsändamål, EN 1496)

ESD: en generisk term för utbudet

Z: Typ av kopplingsanordning på den indragbara vajerns ände

Exempel:

B20 R ESD M47

blocfor™ fallskyddsutrustning med automatisk retur, återställningsmodell som tillhör ESD-utbudet, typ 20, utrustad med en M47-kopplingsanordning på den indragbara vajerns ände.

Märkningen på varje blocfor™ fallskyddsutrustning med automatisk retur indikerar följande:

- a. Handelsnamn: TRACTEL®.
- b. Produktnamn.
- c. Referensstandard och tillämpningsår.
- d. Produktreferens.
- e. CE-logotypen följd av numret 0082, dvs. identifikationsnumret för det anmälda organ som ansvarar för tillverkningskontroll.
- f. Tillverkningsår och -vecka.
- g. Serienummer,
- h. En symbol som anger att bruksanvisningen måste läsas igenom före användning av utrustningen.
- w. Arbetsbelastning.
- aa. Datum för nästa periodiska inspektion.
- ab. Förankringspunktens minsta arbetsbelastning.

13. Regelbunden översyn och reparation

En regelbunden årlig översyn är obligatorisk, men beroende på hur ofta den används, på miljöförhållanden och företagets övriga föreskrifter eller det land den används i, kan regelbundna kontroller förekomma oftare.

Regelbundna undersökningar ska utföras av en behörig och kvalificerad tekniker i enlighet med tillverkarens vedertagna undersökningsförfaranden som står i filen "TRACTEL® – Instruktioner för kontroll av personliga skyddsutrustningar".

Kontroll av läsbarhet av produktens märkning ska ingå i den regelbundna översynen.

Efter avslutad regelbunden inspektion ska den behöriga och kompetenta teknikern som utförde inspektionen godkänna produkten skriftligen för fortsatt användning. Denna återtagning i drift av produkten ska registreras på det kontrollblad som finns i mitten av denna bruksanvisning. Detta kontrollblad ska förvaras under produktens hela livslängd tills den slutligen kasseras.

När ett fall har dämpats ska produkten genomgå en regelbunden inspektion, så som beskrivs i aktuell artikel. Produktens textilkomponenter ska bytas, även om de inte uppvisar några synliga försämringar.

SE

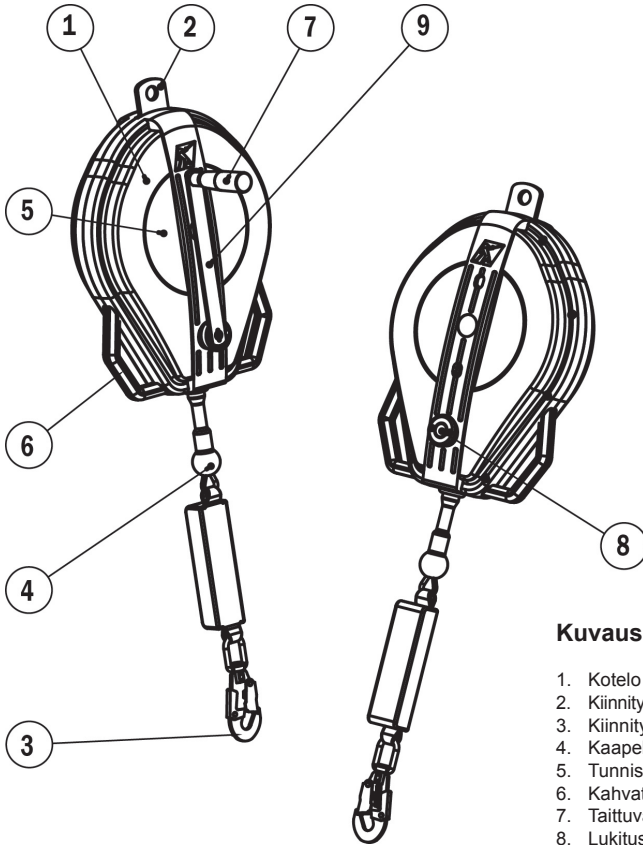
14. Livslängd

Personskyddsutrustningar i textil från TRACTEL® såsom selar, vajrar, rep och stötdämpare, mekaniska personskyddsutrustningar från TRACTEL® såsom stopcable™ och stopfor™ fallskyddsanordningar, blocfor™ automatiska fallskyddsblock och livlinor från TRACTEL® får bara användas under förutsättning att de är föremål för:

- normalt bruk enligt rekommendationerna för användning som ges i denna bruksanvisning
- regelbunden översyn som ska utföras minst en gång om året av en behörig och kompetent tekniker. Efter en regelbunden inspektion ska ett skriftligt intyg författas om att PSU-utrustningen kan tas i drift.
- korrekt förvaring och transport i enlighet med vad som anges i denna manual.

15. Kassering

Vid kassering av produkten, måste de olika komponenterna återvinnas genom att källsortera metaller och syntetmaterial. Dessa material ska lämnas in för återvinning hos olika specialiserade organ. Vid kassering ska isärtagning och källsortering av beståndsdelarna utföras av utbildad personal.



Kuvaus:

1. Kotelo
2. Kiinnityspiste tukirakenteeseen
3. Kiinnityspiste valjaisiin
4. Kaapelin päätykannatin
5. Tunnistekilpi
6. Kahvat
7. Taettava kahva
8. Lukitus-/vapautuspainike
9. Ohjauslaite

blocfor™ 20 R/30 R

Tekniset tiedot

Standardit: EN 360, EN 1496 luokka B

Malli	blocfor™ 20 R ESD 150 kg	blocfor™ 30 R ESD 150 kg
Paino (kg)	9,34	16
Mitat P x L x S (mm)	400 x 275 x 100	600 x 320 x 130
Galvanoidusta teräksestä valmistetun kaapelikokoonpanon pituus (Ø 4,9 mm) (m)	18	30
Kelautumisvoima (N)	25	25
Putoamisenestovoima (kN)	5	5
Putoamisenestomatka (mm)	800	800

blocfor™-valikoima sisältää itsestään kelautuvia putoamissuojaimia, jotka ovat CE-merkittyjä ja EU:n henkilösuojaindirektiivin mukaisia. APAVE-sertifiointielimen myöntämä vaatimustenmukaisuustodistus käsittää laitteen käytön standardin EN 360:2002 vaatimusten mukaisesti.

APAVEn henkilösuojaimelle myöntämä vaatimustenmukaisuussertifikaatti ei kata muita käyttökohteita, kuten standardin EN 1496:2017 mukaista käyttöä pelastusnostojärjestelmissä.

1. Palautuslaitteita koskevat yleiset varoitukset

1. On tärkeää, että käyttäjä lukee ja ymmärtää TRACTEL SAS -yhtiön toimittamien käyttöohjeiden sisällön ennen itsestään kelautuvan blocfor™-putoamissuojaimen käyttöä. Näin voidaan varmistaa laitteen turvallinen ja tehokas käyttö. Tämä käyttöohje tulee säilyttää kaikkien käyttäjien saatavilla. Oppaasta voi pyytää lisäkappaleita.
2. Ennen tämän turvalaitteen käyttöä käyttäjien on osallistuttava sitä koskevaan koulutukseen. Tarkista tuotteeseen liittyvien varusteiden kunto ja varmista, että putoamisen liikevaraa on riittävästi.
3. Itsestään kelautuvaa blocfor™-putoamissuojainta saa käyttää vain pätevä ja koulutettu henkilö tai tällaisen henkilön valvonnassa.
4. Jos itsestään kelautuva blocfor™-putoamissuojain ei ole silmännähdn hyvässä käyttökunnossa tai jos se on pysäyttänyt putoamisen, laitteen kokoonpano on annettava TRACTEL SAS -yhtiön tai pätevän tekniikon tarkastettavaksi, jotta järjestelmän käytön jatkamiselle saadaan kirjallinen käyttöluupa. Suosittelemme, että tarkastat laitteen silmämääräisesti aina ennen käyttöä.
5. Laitteeseen ei saa tehdä mitään muutoksia tai lisäyksiä ilman TRACTEL SAS -yhtiön kirjallista etukäteishyväksyntää. Varusteet tulee kuljettaa ja varastoida alkuperäispakkauksessaan.
6. Mitään itsestään kelautuvaa blocfor™-putoamissuojainta, jota ei ole tarkastettu edellisten 12 kuukauden aikana tai joka on estänyt putoamisen, ei saa käyttää. Laitetta voi käyttää uudestaan valtuutetun ja pätevän asentajan tekemän määräaikaistarkastuksen ja asentajan myöntämän kirjallisen käyttöluvan myöntämisen jälkeen. Jos nämä tarkastukset ja valtuutukset puuttuvat, itsestään kelautuva blocfor™-putoamissuojain täytyy purkaa ja tuhota.
7. Itsestään kelautuvan blocfor™-putoamissuojaimen maksimiyökuormitus on 150 kg.
8. Jos käyttäjän oma massa, johon lisätään varusteiden ja työkalujen massa, on välillä 100–150 kg, on

ehdottomasti tarkistettava, että kokonaisuudessa (käyttäjä + varusteet + työkalut) ei ylitä minkään putoamissuojaimen osan maksimiyökuormitusta.

9. Laitteita voidaan käyttää ulkotyömaalla ja lämpötilassa -35°C ... +60 °C. Vältä kosketusta terävien kulmien, hankaavien pintojen ja kemiallisten aineiden kanssa.
10. Jos luovutat tämän materiaalin työntekijälle tai vastaavassa tehtävässä toimivalle henkilölle, noudata sovellettavia työturvallisuusmääräyksiä.
11. Käyttäjän tulee olla täydessä fyysisessä ja psyykkisessä kunnossa käyttäessään tätä laitteistoa. Jos olet epävarma, käänny lääkärin tai työterveyslääkärin puoleen. Laitteita ei saa käyttää raskaana ollessa.
12. Laitteita ei saa käyttää yli sallittujen rajojen eikä tilanteissa, joita varten niitä ei ole suunniteltu: katso kohta "4. Toiminta ja kuvaus."
13. On suositeltavaa määrätä itsestään kelautuva blocfor™-putoamissuojain jokaiselle käyttäjälle henkilökohtaisesti, etenkin, jos käyttäjä on työntekijä.
14. Käyttäjän tulee varmistaa ennen EN 363:n mukaisen putoamissuojaimen käyttöä, että turvajärjestelmä ja lukitus ovat hyvässä kunnossa. Kun laite määritetään, on erittäin tärkeää varmistaa että turvallisuusuotoiminnot eivät ole heikentyneet millään tavalla.
15. Aina ennen putoamissuojainjärjestelmän käyttöä on tarkastettava, että työkohteessa käyttäjän alapuolella on vapaata tilaa, jotta putoamistapauksessa käyttäjä ei ole vaarassa osua maahan tai putoamisreitillä olevaan esteeseen ennen järjestelmän aktivoitumista.
16. Putoamissuojavaljaat ovat ainoa vartalon kiinnitysvaruste, jota putoamissuojainjärjestelmässä saa käyttää.
17. Käyttäjän turvallisuuden kannalta on välttämätöntä, että laitteet tai kiinnityspiste on asennettu oikein ja työ tehdään siten, että putoamisvaara ja -korkeus on mahdollisimman pieni.
18. Jos tuote myydään ensisijaisen kohdemaan ulkopuolelle, jälleenmyyjän on toimitettava seuraavat seikat käyttäjän turvallisuuden takaamiseksi: käyttöohjeet, ohjeet hoitoa, säännöllisiä tarkistuksia ja korjauksia varten. Ohjeiden on oltava tuotteen käyttömaan kielellä.
19. Itsestään kelautuvan blocfor™ 20 R-/30 R -putoamissuojaimen maksimiyökuormitus on 150 kg riippumatta siitä, käytetäänkö sitä putoamissuojaimena (EN 360) vai pelastusnostimena (EN 1496 luokka B).
20. Pelastussuunnitelma täytyy laatia ja ottaa käyttöön ennen laitteen käyttöä.



HUOMAA

Kaikissa erikoiskäyttötapauksissa on otettava yhteys TRACTEL® S.A.S. -yhtiöön.

2. Määritelmiä ja kuvakkeita

2.1. Määritelmiä

"Käyttäjä": Henkilö tai osasto, joka on vastuussa tässä oppaassa kuvatun tuotteen hoidosta ja turvallisesta käytöstä.

"Teknikko": Pätevä henkilö, jonka tehtävänä on suorittaa käyttöohjeessa kuvatut ja sallitut kunnossapitotoimenpiteet. Teknikolla on pätevyys ja hän tuntee laitteen.

"Käyttäjät": Henkilö, joka voi käyttää tuotetta sen käyttötaroituksen mukaan.

"EPI/henkilösuojalaite": Henkilökohtainen suojavauste, joka estää putoamisen.

"Liitin": Putoamissuojainjärjestelmän osien välinen liitoselementti. Standardin EN 362 mukainen.

"Putoamissuojainvaljaat": Vartalovaljaat, jotka on tarkoitettu pysäyttämään putoaminen. Koostuu hihnoista ja soljista. Niissä on putoamissuojaimen kiinnityspisteet, jotka on merkitty merkillä A, jos niitä voi käyttää yksin, ja A/2, jos niitä tulee käyttää yhdessä toisen A/2 -pisteen kanssa. Valjaat ovat standardin EN 361 mukaiset.

"Itsestään kelautuva putoamissuojain": Putoamissuojain automaattisella lukitustoiminnolla ja automaattisella järjestelmällä, joka jännittää ja kelaa sisään vedettävän hihnan.

"Kelattava hihna": Turvavaijeriosa, joka kytketään itsestään kelautuvaan putoamissuojaimen. Käytettävän laitteen tyyppiä riippuen osana voidaan käyttää metallikaapelia, verkkoa tai synteettisiä kuituja.

"Maksimityökuormitus": Käyttäjän maksimipaino asianmukaisessa työasussa sisältäen suoritettavan työtehtävän edellyttämien henkilösuojalaitteiden, työkalujen ja osien paino.

"Putoamissuojainjärjestelmä": Seuraavista osista koostuva kokoonpano:

- Putoamissuojainvaljaat.
- Itsestään kelautuva putoamissuojain, putoamisenergian vaimennin, jäykällä kiinnitysköydellä varustettu liikutettava putoamissuojain tai joustavalla kiinnitysköydellä varustettu liikutettava putoamissuojain.
- Kiinnitys.
- Liitoselementti.

"Putoamissuojainjärjestelmän elementti": Yleinen termi, joka viittaa johonkin seuraavista osista:

- Putoamissuojainvaljaat.
- Itsestään kelautuva putoamissuojain, putoamisenergian vaimennin, jäykällä kiinnitysköydellä varustettu liikutettava putoamissuojain tai joustavalla kiinnitysköydellä varustettu liikutettava putoamissuojain.
- Kiinnitys.
- Liitoselementti.

"EN 1496 luokan B mukainen pelastusnostolaite": pelastusjärjestelmän osa tai alikokoonpano, jota käytetään siihen kiinnitetyn henkilön liikuttamiseen ylös- tai alaspäin ja joka on varustettu käsitöimisellä laskemistoiminnolla henkilön laskemiseksi korkeintaan 2 metrin etäisyydelle.

"Pelastuslaite": putoamiselta suojaava järjestelmä, jolla henkilö voi estää itsensä tai muiden henkilöiden putoamisen.

2.2. Kuvakkeet



VAARA: Rivin alussa merkintä viittaa ohjeisiin, joita on annettu henkilövahinkojen välttämiseksi, erityisesti kuorman johtavilta, vakavilta vai lievilta vammoilta sekä ympäristövahingoilta.



TÄRKEÄÄ: Rivin alussa merkintä viittaa ohjeisiin, jotka on tarkoitettu laitevian tai sellaisen vaurion, joka ei suoranaisesti vaaranna käyttäjän tai muiden henkilöiden henkeä tai terveyttä ja/tai joka ei aiheuta ympäristövahinkoja, välttämiseksi.



HUOMAA: Rivin alussa merkintä viittaa ohjeisiin, joiden tarkoitus on varmistaa asennuksen tehokkuus tai sopivuus tai käytön tai huollon toiminnot.

3. Käyttöolosuhteet

Ennen käyttöä tehtävät tarkistukset:

- Tarkista hihnan kunto koko pituudelta:
 - Synteettisessä kaapelissa ja sen kudosessa ei saa olla merkkejä hankauksesta, rispaantumisesta, palamisesta tai leikkaantumuksesta.
 - Metallisessa kaapelissa ei saa olla merkkejä taitoksista, kulumisesta tai katkenneista säikeistä.
- Tarkista, että hihnan lukituslaite aktivoituu vedettäessä hihnan päätä nopeasti ja että hihna kelautuu auki ja kiinni normaalisti koko pituudelta.
- Tarkista kotelon kunto (ei vääntymiä, ruuvit paikallaan jne.)

- Tarkista liittimien kunto ja toiminta: ei silminnähtäviä vääntymiä, avaus, sulkemien ja lukitus onnistuvat.
- Tarkista kaikkien valjaiden ja liittimien osien kunto. Katso lisätietoja kunkin tuotteen omista käyttöohjeista.
- Tarkista koko putoamissuojainjärjestelmän kunto.
- Tarkista, että jalkakiinnikkeet on kiinnitetty tiukasti Tracpode-pelastuskolmijalkaan (ks. kohta § 4.2.2).
- Tarkista, että laitteisto on asetettu itsekelaavaan putoamissuojaintilaan, eli palautuslaite ei ole kytketty.
- Tarkista, että hihnan lukituslaite aktivoituu vedettäessä hihnan päätä nopeasti ja että hihna kelautuu auki ja kiinni normaalisti koko pituudelta.
- Tarkista, että palautustoiminto kytkeytyy päälle ja pois päältä oikein.
- Tarkista, että hihnan lukituslaite pystyy tukemaan hihnan päähän liitettyä kuormaa ja että hihna kelautuu normaalisti auki ja kiinni koko pituudelta, kun vinnsin kelauslaitetta käännetään.

4. Toiminta ja kuvaus

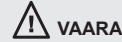
FI

4.1. blocfor™ 20 R/30 R 150 kg

- Itsestään kelautuva blocfor™ 20 R/30 R 150 kg on EN 360 -yhteensopiva putoamissuojain. Katso lisätietoja standardista blocfor™-laitteen mukana toimitettavan käyttöoppaan kohdasta § 4.
- Laitteeseen on yhdistetty palautuslaite (EN 1496 luokka B) siihen kiinnitetyn henkilön nostamista tai laskemista varten. Palautustoiminto mahdollistaa kiinnitetyn henkilön liikuttamisen alas- tai ylöspäin putoamisen jälkeen. Laitetta voi käyttää.
 - pystysuuntaisesti, kun se on kiinnitetty kiinnityspisteeseen.
 - kaltevassa asennossa, kun se on kiinnitetty Tracpode-kolmijalan jalkakiinnikkeeseen.
- Pelastustoiminto ei ole kytketty päälle, kun blocfor™-laitetta käytetään putoamissuojaintilassa.
- Kun laitteeseen kiinnitetty henkilö putoaa, blocforin mekanismi lukitsee hihnan. Laitteeseen kiinnitettyä henkilöä voi liikuttaa alas- tai ylöspäin kelauslaitteella, kun palautusmekanismi kytketään päälle painamalla punaista painiketta.
- Itsestään kelautuvan blocfor™ 20 R/30 R 150 kg -putoamissuojaimen koteloissa on kaksi yksikön ohjaamiseen käytettävää kahvaa. Niitä voidaan käyttää myös pelastusoperaatioissa: yhdestä kahvasta pidetään kiinni samalla, kun toisella käännetään kelauslaitetta.
- Itsestään kelautuva blocfor™ 20 R/30 R 150 kg -putoamissuojain voidaan kiinnittää Tracpode-pelastuskolmijalkaan erikoisuunnitellulla jalkakiinnikkeellä.
- Laitteeseen kiinnitettyä henkilöä voi laskea pelastustoiminnolla enintään 2 metrin matkan. Käytä pidemmän matkan laskemiseen EN 341 -yhteensopivaa laskemislaitetta.

4.2. Jalkakiinnike

4.2.1 blocfor™ 20 R/30 R -laitteen kiinnittäminen jalkakiinnikkeeseen

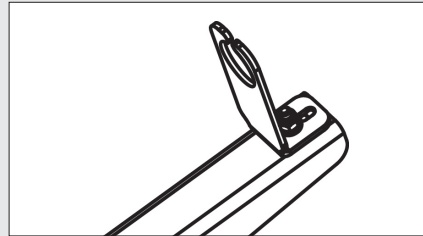


Itsestään kelautuvan blocfor™ 20 R/30 R 150 kg -putoamissuojaimen saa kiinnittää ainoastaan Tractel Tracpode -jalkakiinnikkeeseen.

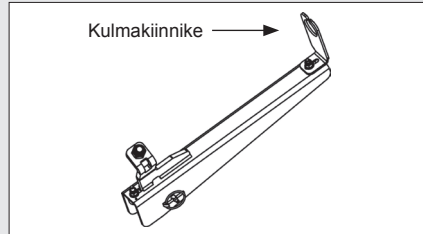
Jalkakiinnikkeen valmistelu

Aseta jalkakiinnikkeen päässä oleva kulmakiinnike käytetyn blocfor™-laitteen (20 R tai 30 R) edellyttämään asentoon.

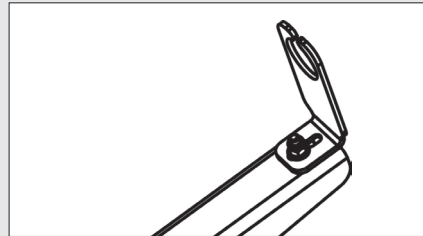
Kulmakiinnikkeen asettelu B20R:ää varten



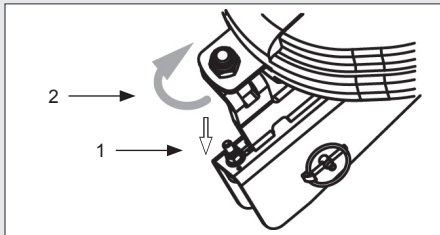
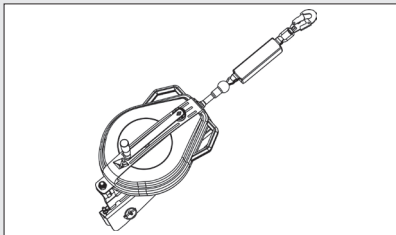
Jalkakiinnikekokoonpano



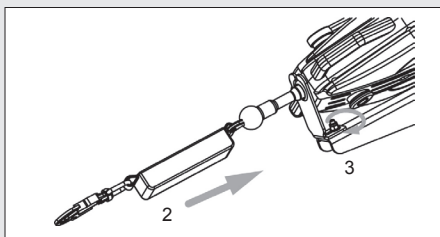
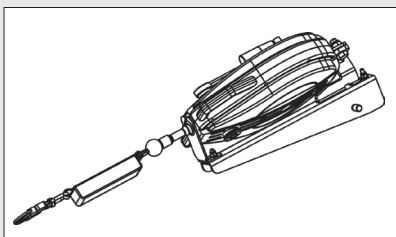
Kulmakiinnikkeen asettelu B30R:ää varten



1. Aseta blocfor™ 20 R/30 R 150 kg jalkakiinnikkeen yläosan pultin (1) kohdalle ja kiinnitä se kiristämällä lukkomutteri (2).



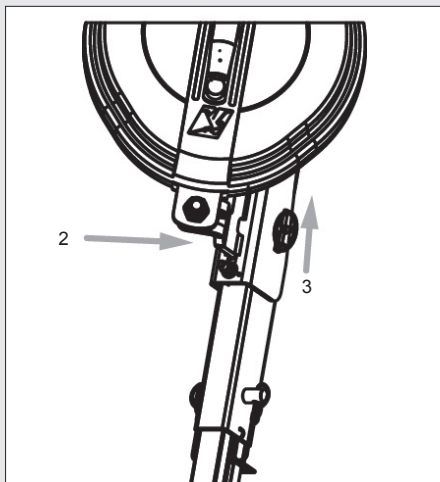
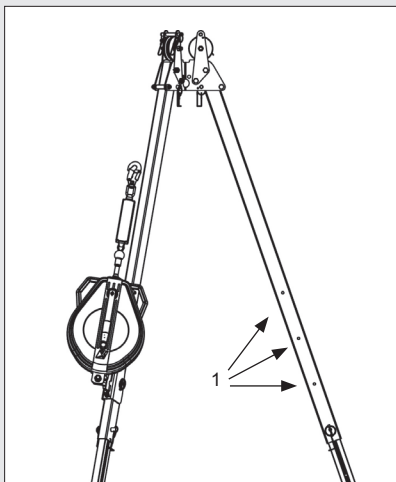
2. Löysää kulmakiinnikkeen ruuvia hieman ja paina se kiinni blocfor™-yksikköön, jolloin kaapelinohjain asettuu keskelle.
3. Kiristä kulmakiinnikkeen mutteri



FI

4.2.2 blocfor™ 20 R/30 R 150 kg:n ja jalkakiinnikekokoonpanon kiinnittäminen Tracode-kolmijalkaan

1. Poista lukitussocka ja aseta blocfor™ 20 R/30 R 150 kg Tracodeen halutulle korkeudelle (käytettävissä on kolme eri asetusta) (1). Katso Tracoden käyttöohjeista lisätietoja tästä toiminnosta.
2. Paina lukitussocka jalkakiinnikkeen reikiin ja Tracodessa olevan reiän lävitse.
3. Kiinnitä lukitussocka jousipidikkeellä



4.2.3 blocfor™ 20 R/30 R 150 kg:n kiinnittäminen tukirakenteeseen/kiinnityspisteeseen.

- blocfor™ 20 R/30 R 150 kg:n kiinnityspisteen täytyy olla joko käyttäjän jalkojen tasolla tai ylempänä, ei koskaan alempana.
- Yhdistä itsestään kelautuva blocfor™ 20 R/30 R -putoamissuojain kiinnityspisteeseen tai kantovoimaltaan vähintään 12 kN:n tukirakenteeseen EN 362 -liittimellä.

5. Toimintaperiaate

Pelastusoperaation suorittaminen blocfor™ R -laitteilla



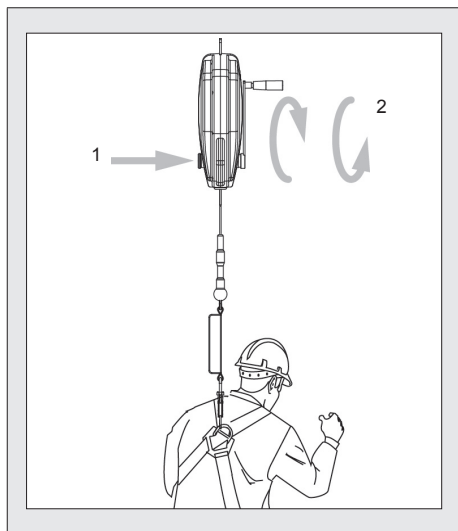
VAARA

Pelastusoperaatio edellyttää yhden varakäyttäjän läsnäoloa.

Tarvittaviin pelastustoimenpiteisiin täytyy tutustua etukäteen, minkä lisäksi täytyy määrittää tarvittava henkilöstömäärä ja laitteisto, joiden avulla henkilö voidaan pelastaa alle 15 minuutissa. Aikarajan laiminlyönti asettaa putoavan henkilön vaaraan.

5.1. Palautus- eli pelastustoiminnon kytkeminen päälle

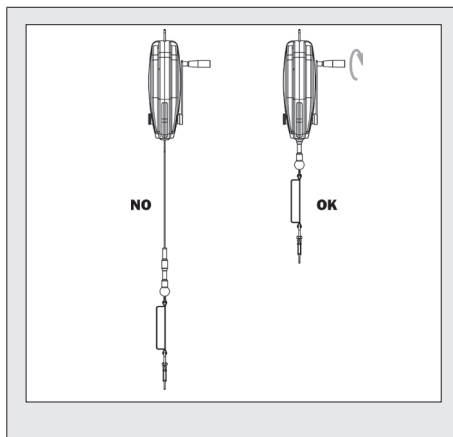
- (1) Ota palautustoiminto käyttöön painamalla punaista lukituspainiketta.
- (2) Vedä kelauslaitte ulos ja liikuta pelastettavaa henkilöä sen avulla:
 - nosta pelastettavaa henkilöä kääntämällä kelauslaitetta myötäpäivään;
 - laske pelastettavaa henkilöä kääntämällä kelauslaitetta vastapäivään.



5.2. Laitteen palauttamisen putoamissuojaintilaan

5.2.1 Kaapelin kelaaminen laitteeseen

Kun pelastustoimet on suoritettu, kela kaapeli kokonaan laitteen sisälle kääntämällä kelauslaitetta myötäpäivään.

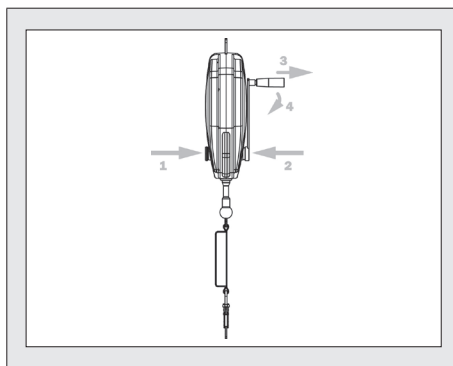


VAARA

Älä kytkä laitteen palautustoimintoa pois käytöstä ennen kuin kaapeli on kelattu täysin koteloon, koska muuten kaapeli voi kelautua itsestään sisään vaarallisen suurella nopeudella.

5.2.2 Palautustilan kytkeminen pois päältä

- Vapauta vinnsimekanismi painamalla samanaikaisesti punaista painiketta (1) ja kelauslaitteen ohjausvartta (2).
- Varmista ennen toimen suorittamista, että ohjauslaite on pystysuunnassa ja että sen kahva on yläasennossa.
- Vedä kahvaa ulospäin (3) ja taita se sitten alaspäin (4).





VAARA

Nostotoimet blocfor™ R -laitteilla

blocfor™ R -laitteita saa käyttää ainoastaan pelastusnostoimena.

Vinssijärjestelmä on suunniteltu pelastustoimia varten. Pelastajalla ja muilla pelastukseen osallistuvilla tulee olla koko pelastusoperaation ajan suora näkö- tai muu viestintäyhteys.

Pelastusoperaatiossa suositellaan käytettävän EN 813 -valjaita (kuten Promast™, Transport- ja Rescue-sarjan tuotteet) tai valjaita, joissa on EN 1497 -pelastushihnat.

6. Kielletyt käyttötavat

Seuraavat toimenpiteet ovat ehdottomasti kiellettyjä:

- Itsestään kelautuvan blocfor™-putoamissuojaimen asentaminen tai käyttö ilman valtuutusta, koulutusta tai pätevyyttä laitteen käyttämiseen, tai, jos joku käyttäjistä ei vastaa näitä vaatimuksia, laitteen käyttö ilman valtuutetun, koulutetun ja laitteen päteväksi käyttäjäksi tunnustetun henkilön valvontaa.
- Itsestään kelautuvan blocfor™-putoamissuojaimen käyttö, jos jokin sen merkinnöistä ei ole luettavissa.
- Itsestään kelautuvan blocfor™-putoamissuojaimen asentaminen tai käyttäminen ilman ennakkotarkastusta.
- Itsestään kelautuvan blocfor™-putoamissuojaimen käyttö, jos määräaikaistarkistusta ei ole suoritettu edellisten 12 kuukauden aikana sellaisen teknikon toimesta, joka on pätevä valtuuttamaan laitteen käytön jatkamisen kirjallisissa muodossa.
- Itsestään kelautuvan blocfor™-putoamissuojaimen liittäminen, jos määräaikaistarkistusta ei ole suoritettu edellisten 12 kuukauden aikana sellaisen teknikon toimesta, joka on pätevä valtuuttamaan laitteen käytön jatkamisen kirjallisissa muodossa.
- Itsestään kelautuvan blocfor™-putoamissuojaimen käyttö muuhun kuin henkilöiden putoamisen estämiseen.
- Itsestään kelautuvan blocfor™-putoamissuojaimen kiinnittäminen kiinnityspisteeseen vaihtoehtoisilla tavoilla tai laitteilla.
- Itsestään kelautuvan blocfor™-putoamissuojaimen käyttö missään muodossa, joka on ristiriidassa tietojen kanssa, jotka on annettu osassa "15. Käyttöikä".
- Itsestään kelautuvan blocfor™-putoamissuojaimen käyttö useamman kuin yhden henkilön putoamissuojainjärjestelmänä.
- Itsestään kelautuvan blocfor™-putoamissuojaimen käyttö 100 kg – 150 kg:n (käyttäjän, varusteiden ja työkalujen kokonaispaino) kuorman tukemiseen, jos millä tahansa putoamissuojainjärjestelmän osalla on matalampi kuormaraja.
- Itsestään kelautuvan blocfor™-putoamissuojaimen käyttö, jos sitä on käytetty kertaalleen putoamisen estämiseen.
- Itsestään kelautuvan blocfor™-putoamissuojaimen käyttö henkilön asennon ylläpitämiseksi työpaikalla.
- Itsestään kelautuvan blocfor™-putoamissuojaimen käyttö erittäin syövyttävässä tai räjähdysherkässä ympäristössä.

- Itsestään kelautuvan blocfor™-putoamissuojaimen käyttö näissä käyttöohjeissa määritetyn lämpötila-alueen ulkopuolella.
- Itsestään kelautuvan blocfor™-putoamissuojaimen käyttö, jos vapaa tila henkilön alla ei ole riittävä putoamistapauksessa.
- Itsestään kelautuvan blocfor™-putoamissuojaimen käyttö, jos jonkin laitteen käyttäjän fyysinen kunto ei ole riittävän hyvä.
- Itsestään kelautuvan blocfor™-putoamissuojaimen käyttö raskaana.
- Itsestään kelautuvan blocfor™-putoamissuojaimen käyttö, jos jonkin muun liittyvän osan tarjoamaan turvallisuustoimintoon vaikuttaa toisen osan turvallisuustoiminto tai tämä häiritsee käyttöä.
- Itsestään kelautuvan blocfor™-putoamissuojaimen hinnan vapauttaminen silloin, kun sitä ei ole kelattu kokonaan sisään (kuva 2.a).
- Itsestään kelautuvan blocfor™-putoamissuojaimen käyttö osan tai laitteen painon tukemiseen.
- Itsestään kelautuvan blocfor™-putoamissuojaimen kiinnittäminen tukirakenteeseen, jonka kantovoima on alle 12 kN, tai jonka voidaan olettaa olevan alle 12 kN.
- Itsestään kelautuvan blocfor™-putoamissuojaimen käyttö yli 20 asteen pystysuuntaisessa kulmassa (kuva 1.c).
- Itsestään kelautuvan blocfor™-putoamissuojaimen hinnan käyttö nostoraksina.
- Itsestään kelautuvan blocfor™-putoamissuojaimen ja hinnan välisen kohdistuksen heikentäminen.
- Itsestään kelautuvan blocfor™-putoamissuojaimen tasaisen kalastoiminnon heikentäminen.
- Minkään korjaus- tai huoltoimen suorittaminen itsestään kelautuvaan blocfor™-putoamissuojaimen ilman koulutusta ja pätevyyttä, jonka TRACTEL® on vahvistanut kirjallisissa muodossa (kuva 2.b).
- Itsestään kelautuvan blocfor™-putoamissuojaimen käyttö, jos se on puutteellinen, jos se on purettu aiemmin ja koottu uudelleen tai jos osia on vaihdettu muun kuin TRACTELin® valtuuttaman henkilön toimesta.
- Itsestään kelautuvan blocfor™ 20 R/30 R 150 kg -putoamissuojaimen käyttö sellaisen henkilön toimesta, jonka kokonaisuudessa, mukaan lukien varusteet ja työkalut, ylittää 150 kg.
- Kuorman nostaminen itsestään kelautuvalla blocfor™ 20 R/30 R -putoamissuojaimella.
- Kaapelin osittainen löysääminen, kun pelastettava henkilöä lasketaan.

7. Asentaminen

- Jos mahdollista, rakennekiinnityspisteen tulee olla käyttäjän yläpuolella. Rakennekiinnityspisteen kantovoiman täytyy olla vähintään 12 kN.
- Laite täytyy kiinnittää kiinnityspisteeseen tai tukirakenteeseen EN 362 -liittimellä tai käyttämällä Tractel-jalkakiinnikkeen ruuvia, joka on suunniteltu blocfor™ 20R- ja 30R-laitteille.
- Tarkista kiinnityspistettä ja kiinnitysmenetelmää koskevat ohjeet valjaiden ja

putoamissuojainjärjestelmän käyttöohjeista ennen putoamissuojainjärjestelmän kiinnittämistä valjaisiin.

8. Osat ja materiaalit

- Kaapelit: galvanoitu teräs
- Putoamissivaimennin: PA + PES.
- Kotelo: PA/ABS; alumiini 30 metrin malleissa.
- Kiinnitysosat: galvanoitu teräs

9. Lisälaitteet

EN 363 -standardin mukaisesti itsestään kelautuva blocfor™ 20 R/30 R 150 kg -putoamissuojain on yksi osa putoamissuojainjärjestelmää, jonka täytyy koostua seuraavista osista:

- Kiinnityspiste (EN 795).
- Päätyliitin (EN 362).
- Putoamissuojainjärjestelmä (EN 360) ja pelastusnostojärjestelmä (EN 1496).
- Liitin (EN 362).
- Putoamissuojainvaljaat (EN 361) (selkäpuolen kiinnityspistettä suositellaan).

Kaikkien muiden osien tai lisälaitteiden käyttö on kiellettyä.

10. Huolto ja varastointi

- Jos itsestään kelautuva blocfor™-putoamissuojain on likainen, se voidaan pestä puhtaalla kylmällä vedellä, tarvittaessa miedolla tekstiilipesuaineella ja synteettisellä harjalla.
- Jos itsestään kelautuva blocfor™-putoamissuojain kastuu käytön aikana tai pesun vuoksi, se tulee jättää kuivumaan pois suorasta auringonvalosta tai muista lämmönlähteistä.
- Kääri laite ennen kuljetusta pakkausmateriaaliin, joka pitää kosteuden poissa ja suojaa kaikenlaisilta vaurioilta (suorat lämmönlähteet, kemikaalit, UV-säteily jne.).
- Tarkista, että pelastusjärjestelmä voidaan ottaa käyttöön/poistaa käytöstä oikein.
- Tarkista, että kaapeli on vahingoittumaton koko sen pituudelta.
- Jos laite on likaantunut, ota yhteyttä Tracteliin® tai jälleenmyyjään.

11. Varusteiden yhdenmukaisuus

TRACTEL SAS RD 619 (rekisteröity osoite Saint-Hilaire-sous-Romilly, F-10102 Romilly-sur-Seine, Ranska) vakuuttaa, että näissä käyttöohjeissa kuvatut turvalaitteet vastaavat laitteistoa, jonka EN 1496:2017 -vaatimustenmukaisuuden on tarkistanut APAVE SUDEUROPE SAS (CS 60193, 13322 Marseille, Ranska).

12. Merkinnät

Tuotteen nimen selite:

B X R ESD Z

B: laitteen nimi (blocfor™)

X: blocfor™-laitteen tyyppi (20 R/30 R)

R: Palautuslaitemalli (pelastusnostolaite, EN 1496)

ESD: valikoiman yleisnimitys

Z: Kelattavan hihnan päässä olevan liittimen tyyppi

Esimerkki:

B20 R ESD M47

Itsestään kelautuva blocfor™ -putoamissuojain; palautuslaitemalli; kuuluu ESD-valikoimaan; tyyppi 20; kelattavan hihnan päässä M47-liitin.

Jokaisen itsestään kelautuvan blocfor™ -putoamissuojaimen kilvessä ilmoitetaan:

a. Kaupallinen nimi TRACTEL®.

b. Tuotteen nimi.

c. Viitenormi ja sovellusvuosi.

d. Tuotteen viitenumero.

e. CE-logo ja numero 0082, joka ilmoittaa tuotteen valvonnasta vastaavan organisaation.

f. Valmistusvuosi ja -viikko.

g: Sarjanumero.

h. Kuva, joka ilmaisee että käyttöohje tulee lukea ennen laitteen käyttöä.

w: Maksimityökuormitus.

aa: Seuraavan määräaikaistarkastuksen päivämäärä.

ab. Kiinnityspiteen vähimmäiskantovoima.

13. Määräaikaistarkastus ja korjaus

Vuosittainen määräaikaistarkastus on pakollinen, mutta määräaikaistarkastukset voivat tapahtua useamminkin käyttötajuuudesta, ympäristön olosuhteista tai yhtiön tai käyttömaan määräyksistä riippuen.

Pätevän ja valtuutetun henkilön tulee tehdä määräaikaistarkastukset noudattaen valmistajan tiedostossa "Tractel® EPI-tarkastusohjeet" antamia ohjeita.

Merkintöjen luettavuuden tarkastuksen tulee kuulua määräaikaistarkastuksiin.

Määräaikaistarkastusten valmistuttua pätevän ja valtuutetun teknikon tulee antaa kirjallinen ilmoitus tuotteen palauttamisesta käyttöön. Tuotteen uusi käyttöönotto täytyy rekisteröidä tarkastuslomakkeelle,

joka sijaitsee tämän käyttöohjeen keskellä. Tarkastuslomake on säilytettävä laitteen koko käyttöiän ajan käytöstä poistamiseen saakka.

Jos tuote on estänyt putoamisen, sille on suoritettava määräaikaistarkastus tässä artikkelissa kuvatulla tavalla. Tuotteen tekstiiliosat on vaihdettava vaikka niissä ei olisikaan näkyviä muutoksia.

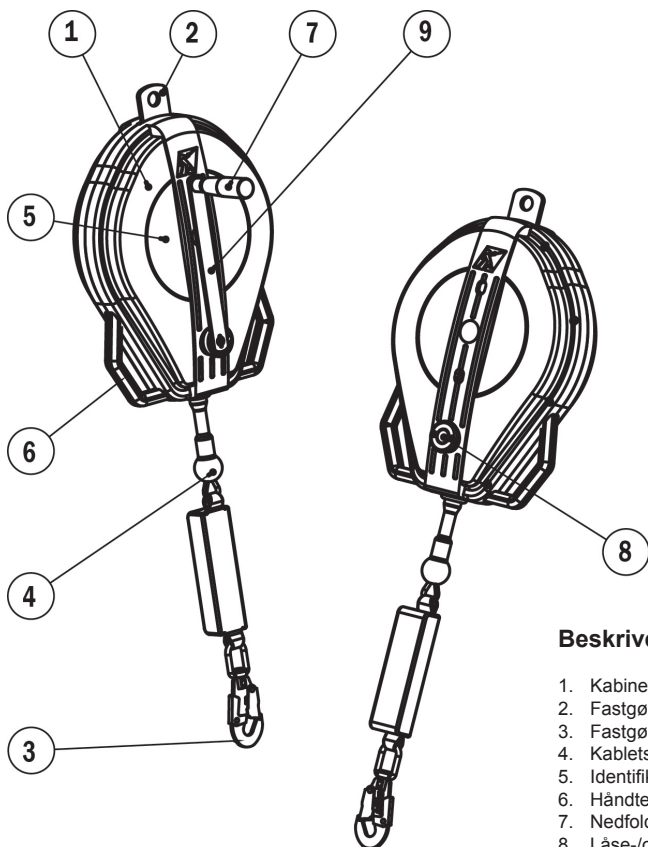
14. Käyttöikä

Tekstiilistä valmistetut TRACTEL® EPI-henkilösuojalaitteet, kuten valjaat, hihnat, köydet ja putoamisenvaimentimet, mekaaniset TRACTEL® EPI-henkilösuojalaitteet, kuten stopcable™- ja stopfor™-putoamissuojaimet ja automaattisella palautuksella varustetut blocfor™-putoamissuojaimet sekä TRACTEL®-turvavaijerit ovat valmiita käyttöön sillä ehdolla, että niiden valmistuspäivästä lähtien noudatetaan seuraavia ohjeita:

- Näissä käyttöohjeissa annettujen suositusten mukainen tavallinen käyttö.
- Valtuutetun ja pätevän asentajan vähintään kerran vuodessa tekemä määräaikaistarkastus. Määräaikaistarkastuksen valmistuttua henkilösuojalaitteen käyttöön palauttamisesta täytyy antaa kirjallinen ilmoitus.
- Varastointi ja tallennus noudattaen tiukasti näissä käyttöohjeissa annettuja sääntöjä.

15. Hävittäminen

Kun tuote hävitetään, sen kaikki osat on kierrätettävä ja eroteltava metalliosien ja synteettisen materiaalin keräykseen. Nämä materiaalit voidaan kierrättää erityislaitoksissa. Tuotteen hävittämisen yhteydessä tehtävä osien purkaminen kuuluu sopivasti koulutetulle henkilölle.



Beskrivelse:

1. Kabinet
2. Fastgørelsespunkt til struktur
3. Fastgørelsespunkt til seil
4. Kablets endestykke
5. Identifikationsmærkat
6. Hånderingshåndtag
7. Nedfoldbart håndtag
8. Låse-/oplåsningsknap
9. Spoleanordning

blocfor™ 20R/30R

Tekniske specifikationer

Standarder: EN 360, EN 1496 klasse B

Model	blocfor™ 20R ESD 150 kg	blocfor™ 30R ESD 150 kg
Vægt (kg)	9,34	16
Mål L x B x D (mm)	400 x 275 x 100	600 x 320 x 130
Længde på den galvaniserede stålkabelsamling Ø 4,9 mm (m)	18	30
Tilbagetrækningskraft (N)	25	25
Faldsikringskraft (kN)	5	5
Faldsikringsafstand (mm)	800	800

blocfor™ er en serie af CE-mærkede faldsikringer med automatisk rappel, som overholder EF-direktivet om PPE. Overensstemmelsescertifikatet, som er udstedt af certificeringsorganet APAVE, omfatter deres brug i henhold til de krav, der er anført i standarden EN 360:2002.

Overensstemmelsescertifikatet med hensyn til PPE, som er udstedt af certificeringsorganet APAVE, udelukker anvendelser, der er relateret til andre typer brug som f.eks. overensstemmelse med standard EN 1496:2017, redningsløftesystemer.

1. Generelle advarsler specifikt for redningsanordninger

1. Før brug af en blocfor™ faldsikring med automatisk rappel og for at sikre, at udstyret bruges sikkert og effektivt, er det strengt nødvendigt, at brugeren læser og forstår oplysningerne i den manual, som TRACTEL SAS stiller til rådighed. Denne manual skal opbevares og være tilgængelig for alle brugere. Ekstra eksemplarer fremsendes på forespørgsel.
2. Inden brug af denne sikkerhedsanordning er det strengt nødvendigt, at brugeren har fulgt et kursus i, hvordan den skal bruges. Undersøg det tilknyttede udstyrs tilstand, og kontrollér, at der er tilstrækkelig fri højde.
3. blocfor™ faldsikringen med automatisk rappel må kun bruges af uddannede og kompetente personer eller under opsyn af uddannede og kompetente personer.
4. Enhver blocfor™ faldsikring med automatisk rappel, som ikke ser ud til at være i god stand, eller som allerede har standset et fald, bør sammen med al dens tilknyttede udstyr kontrolleres af TRACTEL SAS eller af en kvalificeret og kompetent tekniker, som skriftligt skal give tilladelse til den fortsatte brug af systemet. Det anbefales at foretage en visuel kontrol før hver brug.
5. Der bør ikke foretages nogen modifikationer af eller tilføjelser til udstyret uden forudgående skriftlig godkendelse fra TRACTEL SAS. Udstyret skal transporteres og opbevares i dets oprindelige emballage.
6. Enhver blocfor™ faldsikring med automatisk rappel, der ikke er blevet kontrolleret i løbet af de seneste 12 måneder, eller som har været brugt til at stoppe et fald, må ikke bruges. Den må kun bruges igen, efter at en autoriseret og kompetent tekniker, der kan give skriftlig tilladelse til at bruge den, har foretaget en ny periodisk kontrol. Hvis disse kontroller og godkendelser ikke har fundet sted eller foreligger, skal blocfor™ faldsikringen med automatisk rappel afmonteres og destrueres.
7. Brugsbelastningsgrænsen for blocfor™ faldsikringen med automatisk rappel er 150 kg.
8. Hvis operatørens vægt plus vægten af hans/hendes udstyr og værktøj er mellem 100 kg og 150 kg, er det afgørende at sikre sig, at den samlede vægt

(operatør + udstyr + værktøj) ikke overstiger brugsbelastningsgrænsen for nogen individuel komponent i faldsikringssystemet.

9. Dette udstyr er egnet til brug på en udendørs arbejdsplads og i et temperaturområde på mellem -35 °C og +60 °C. Undgå enhver kontakt med skarpe kanter, ujævne overflader og kemiske stoffer.
10. Hvis du har ansvaret for at tildele dette udstyr til en ansat eller en person med en lignende rolle, skal du sikre, at du overholder de relevante regler for sundhed og sikkerhed på arbejdspladsen.
11. Operatøren skal være i god fysisk og psykisk form, når vedkommende bruger dette udstyr. Hvis der er tvivl om dette, skal du rådføre dig med hans/hendes læge eller med arbejdsmedicineren. Gravide kvinder må ikke bruge udstyret.
12. Udstyret må ikke bruges ud over dets grænser eller i nogen anden situation end, hvad det er designet til: se "4. Funktioner og beskrivelse".
13. Det tilrådes at tildele en blocfor™ faldsikring med automatisk rappel personligt til hver operatør, især hvis denne operatør er en ansat.
14. Før brug af et EN 363 faldsikringssystem skal brugeren kontrollere, at alle komponenterne fungerer korrekt: sikkerhedssystem, låsesystem. Ved installationen er det strengt nødvendigt at kontrollere, at sikkerhedsfunktionerne ikke på nogen måde er forringede.
15. For et faldsikringssystem er det inden hver brug afgørende at kontrollere frirummet under operatøren på arbejdsstedet, således at der, hvis personen falder, ikke er risiko for, at personen rammer jorden eller en forhindring i personens bane (inden faldsikringssystemet aktiveres).
16. En faldsikringssele er det eneste beskyttelsesudstyr til kroppen, som det er tilladt at bruge i et faldsikringssystem.
17. Det er væsentligt for operatørens sikkerhed, at anordningen eller forankringspunktet er placeret korrekt, og at arbejdet udføres på en måde, der reducerer risikoen for fald fra højden til et minimum.
18. Hvis udstyret sælges uden for det land, som det primært er beregnet til at sælges i, skal forhandleren af hensyn til operatørens sikkerhed udlevere en instruktionsmanual og instruktioner for vedligeholdelse, periodiske kontroller og reparationsarbejde, som alle skal være skrevet på sproget i det land, hvor udstyret skal bruges.
19. Brugsbelastningsgrænsen er 150 kg for blocfor™ 20R/30R faldsikringen med automatisk rappel, uanset om den anvendes som faldsikring (EN 360) eller til redningsløft (EN 1496 klasse B).
20. Der skal være udarbejdet en redningsplan.

DK

BEMÆRK

Du er velkommen til at kontakte TRACTEL® S.A.S. vedrørende særlige anvendelser.

2. Definitioner og piktogrammer

2.1. Definitioner

"Bruger": Person eller afdeling, som er ansvarlig for forvaltningen og brugssikkerheden af produktet beskrevet i nærværende manual.

"Tekniker": En kvalificeret person, der har til opgave at udføre de vedligeholdelseshandlinger, der er beskrevet og autoriseret i manualen. Teknikeren er kompetent og kender produktet.

"Operatør": En person, der bruger produktet på den måde, som det er beregnet til at bruges.

"PPE": Personligt beskyttelsesudstyr, der sørger for beskyttelse mod fald fra højder.

"Forbindelsesled": Et forbindelselement mellem komponenter i et faldsikringssystem. Det lever op til EN 362.

"Faldsikringssele": En kropssele, der er designet til at standse fald. Den består af stropper og spænder. Den har tilkoblingspunkter til sikring mod fald mærket med et A, hvis de kan bruges alene, eller mærket med A/2, hvis de skal bruges i kombination med et andet A/2-punkt. Selen lever op til EN 361.

"Faldsikring med automatisk rappel": En faldsikring med en automatisk låsefunktion og et automatisk system, der strammer den indtrækkelige line og trækker den ind.

"Indtrækkelig line": Et livineelement, som er forbundet med en faldsikring med automatisk rappel. Det kan have form af et metalkabel, en rem eller syntetiske fibre afhængigt af anordningens type.

"Brugsbelastningsgrænse": Operatørens maksimale vægt i passende arbejdstøj og udstyret med de korrekte PPE-værktøjer og de dele, der kræves for at udføre den planlagte opgave.

"Faldsikringssystem": En samling, der består af følgende dele:

- Faldsikringssele.
- Faldsikring med automatisk rappel eller støddabsorber eller mobil anordning til forhindring af styrt med stive sikringsunderstøtninger eller mobil anordning til forhindring af styrt med bøjelige sikringsunderstøtninger.
- Forankring.
- Forbindelselement.

"Element i faldsikringssystemet": Generisk term, som definerer et af følgende elementer:

- Faldsikringssele.
- Faldsikring med automatisk rappel eller energistøddabsorber eller mobil faldsikringsanordning med stive sikringsunderstøtninger eller mobil faldsikringsanordning med bøjelige sikringsunderstøtninger.
- Forankring.
- Forbindelselement.

"Redningsløfteanordning EN 1496 klasse B":

Element eller underenhed i et redningssystem, der anvendes af en redder til at hejse en ophængt person fra et lavere til et højere sted, og som har en ekstra håndbetjent sænkingsfunktion til sænkning af en person over en afstand begrænset til 2 m.

"Redningsudstyr": Individuelt system til beskyttelse mod fald, med hvilket en enkeltperson kan redde sig selv eller andre personer, så et eventuelt fald forhindres.

2.2. Piktogrammer



FARE: Er placeret i begyndelsen af linjen. Henviser til instruktioner, hvis formål er at undgå kvæstelser af personer, herunder dødsfald, alvorlige eller lettere kvæstelser samt skader på miljøet.



VIGTIGT: Er placeret i begyndelsen af en linje. Henviser til instruktioner, hvis formål er at forhindre, at der finder et udstyrsvigt sted, eller at undgå, at udstyr bliver beskadiget i en sammenhæng, hvor operatørens eller andres liv eller helbred ikke er direkte i fare, og/eller hvor skader på miljøet er usandsynlige.



BEMÆRK Er placeret i starten af en linje og henviser til instruktioner, hvis formål er at sikre, at en installation, brugen af den eller vedligeholdelseshandlinger er effektive eller egnede.

3. Brugsbetingelser

Kontroller før brug:

- Kontrollér hele linens tilstand:
 - Det syntetiske kabel eller remmen må ikke vise tegn på afskrabning, optrævling, forbrændinger eller snit.
 - Metalkablet må ikke vise tegn på knæk, afskrabning, korrosion eller ødelagte tråde.
- Kontrollér, at linens låseanordning aktiveres, når der trækkes hårdt i enden af linen, og at den spoles normalt ind og ud i hele længden.
- Kontrollér kabinetets tilstand (ingen deformation, skruerne er på plads osv.).

- Kontrollér forbindelsesleddenes tilstand og funktion: ingen synlig deformation, og at det er muligt at åbne, lukke og låse dem.
- Kontrollér tilstanden af de komponenter, der er tilknyttet selen og forbindelsesleddene. Se de specifikke manualer til hvert enkelt produkt.
- Kontrollér det komplette faldsikringssystem.
- Kontrollér, at benbeslagene er sikkert fastgjort til benene på Tracpode redningsstativet (se § 4.2.2)
- Kontrollér, at udstyret er indstillet til tilstanden med faldsikring med automatisk rappel: dvs. at redningsanordningen ikke er aktiveret.
- Kontrollér, at den anordning, der låser linen, aktiveres, når der trækkes hårdt i enden af linen, og at den spoles normalt ind og ud i hele længden.
- Kontrollér, at redningsfunktionen aktiveres og deaktiveres korrekt.
- Kontrollér, at den anordning, der låser linen, kan understøtte den belastning, der er forbundet med enden af linen, og at den kan spoles ind og ud normalt i hele længden, når spillets spoleanordning drejes.

4. Funktioner og beskrivelse

4.1. blocfor™ 20R/30R 150 kg

- blocfor™ 20R/30R 150 kg faldsikringen med automatisk rappel er en faldsikring med automatisk rappel, der lever op til EN 360: Se § 4 i den medfølgende manuel for blocfor™ ESD - EN 360.
- Den er udstyret med en redningsanordning til hævnning eller sænkning af den ophængte person (EN 1496 klasse B): Denne redningsfunktion giver en redder mulighed for at hæve og/eller sænke den ophængte person efter et fald. Den kan bruges:
 - lodret ved fastgørelse til et forankringspunkt.
 - i en inklineret position ved fastgørelse til et benbeslag monteret på en Tracpode.
- Redningsfunktionen deaktiveres, når blocfor™ anvendes i faldsikringstilstand.
- I tilfælde af et fald låses blocfors mekanisme for at stoppe en eventuel bevægelse. For at redde den ophængte person (ved at løfte eller sænke) skal redningsmekanismen aktiveres ved at trykke på den røde låseknap og derefter dreje spoleanordningen.
- blocfor™ 20R/30R 150 kg faldsikringen med automatisk rappel har to håndtag på kabinettet til håndtering af enheden. De kan også bruges under udførelse af en redningsoperation – hold i et af håndteringshåndtagene med den ene hånd, og drej spoleanordningen med den anden.
- Der anvendes et specielt designet benbeslag til fastgørelse af blocfor™ 20R/30R 150 kg faldsikringen med automatisk rappel til et af benene på Tracpode redningsstativet.
- Ved sænkning af en ophængt person er redningsfunktionen begrænset til en maksimal afstand på 2 meter. For at sænke over en længere afstand skal der anvendes en sænkingsanordning, der lever op til EN 341.

4.2. Benbeslaget

4.2.1 Montering af blocfor™ 20R/30R på benbeslaget

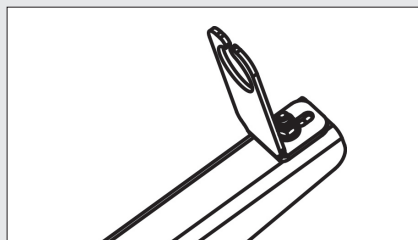


blocfor™ 20R/30R 150 kg faldsikringen med automatisk rappel må ikke monteres på andre beslag end Tractel Tracpode benbeslaget.

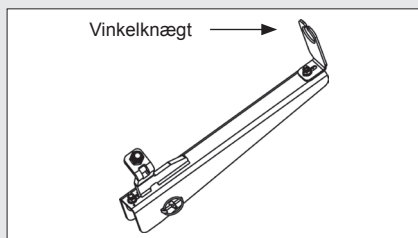
Forberedelse af benbeslaget

Placer vinkelknægten ved enden af benbeslaget i den korrekte position for den type blocfor™, der anvendes: 20R eller 30R.

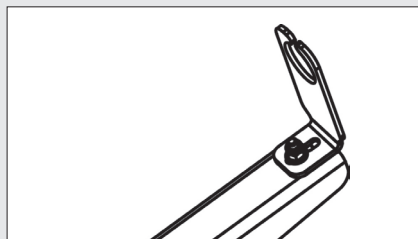
Position for vinkelknægten til modtagelse af en B20R



Komplet benbeslagssamling

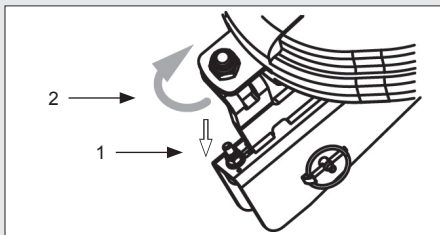
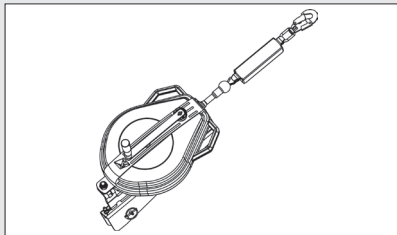


Position for vinkelknægten til modtagelse af en B30R

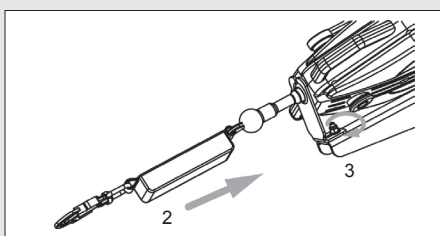
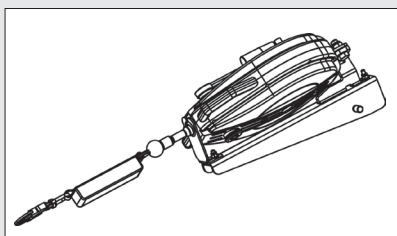


DK

1. Placer blocfor™ 20R/30R 150 kg, så den passer over boltens øverst på benbeslaget (1), og fastgør den helt ved at stramme låsemøtrikken (2) omhyggeligt



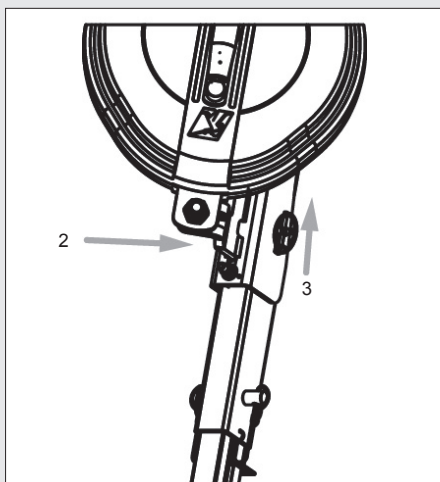
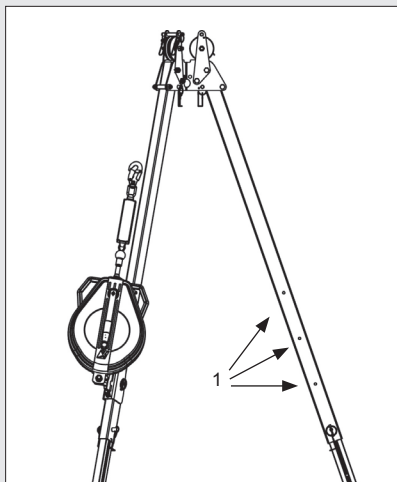
2. Mens dens skrue er lidt løs, skal vinkelknægten skubbes op mod blocfor™ enheden for at centralisere placeringen af kabelstyret.
3. Stram vinkelknægtens møtrik



DK

4.2.2 Montering af blocfor™ 20R/30R 150 kg og benbeslagssamlingen på Tracpode

1. Fjern låsestiften, og placer derefter blocfor™ 20R/30R 150 kg i den ønskede højde på Tracpode (der er 3 mulige positioner) (1). Du kan finde flere oplysninger om denne handling i den manual, der hører til den specifikke Tracpode.
2. Skub låsestiften gennem hullerne i benbeslaget og gennem hullet i Tracpode.
3. Fastgør låsestiften ved hjælp af fjederklemmen



4.2.3 Montering af blocfor™ 20R/30R 150 kg på en struktur/et forankringspunkt.

- Forankringspunktet for blocfor™ 20R/30R 150 kg skal altid være højere end eller på samme niveau som operatørens fødder – aldrig under.
- Brug et EN 362 forbindelsesled til at binde blocfor™ 20R/30R faldsikringen med automatisk rappel med forankringspunktet eller med en struktur, hvis bæreevne ikke må være under 12 kN.

5. Virkemåde

Udførelse af en redningsoperation med en blocfor™ R

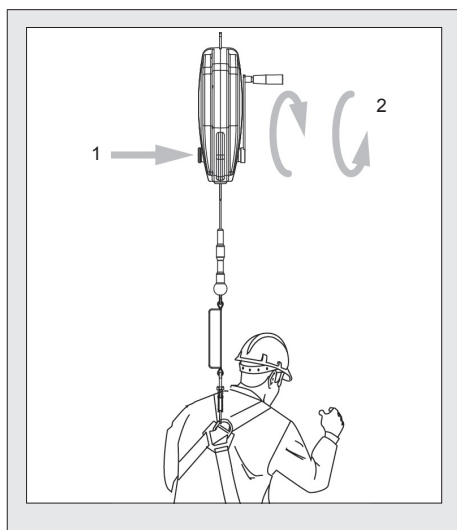


Der skal være en ekstra person i nærheden til at udføre en redningsoperation, hvis det bliver nødvendigt.

De nødvendige redningsoperationer skal være forberedt og vurderet på forhånd for at bestemme de menneskelige ressourcer og det udstyr, der er nødvendigt for at redde en ophængt person på under 15 minutter. Hvis denne tidsgrænse ikke overholdes, kan det medføre fare for den person, der er faldet.

5.1. Aktivering af redningsfunktionen

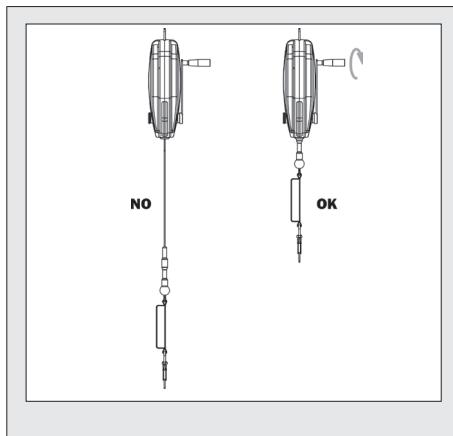
- (1) Tryk på den røde låseknap for at aktivere redningsfunktionen.
- (2) Træk ud, og drej derefter spoleanordningen for at redde operatøren:
 - Drej spoleanordningen med uret for at hæve operatøren,
 - drej spoleanordningen mod uret for at sænke operatøren.



5.2. Returnering til faldsikringstilstanden

5.2.1 Indtrækning af kablet i anordningen

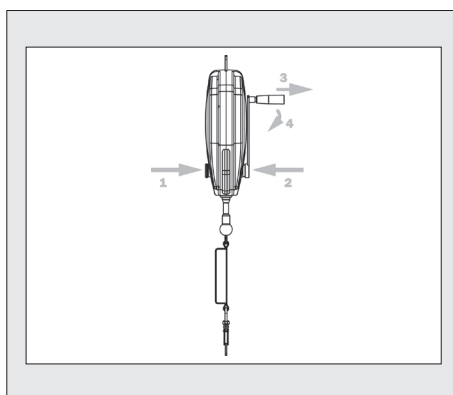
Når redningen er fuldført, skal kablet trækkes helt ind i anordningen ved at dreje spoleanordningen med uret.



Aktivér ikke anordningens redningsfunktion, før kablet er trukket helt ind i kabinettet, idet kablet ellers kan blive trukket ind af sig selv ved en farlig høj hastighed.

5.2.2 Deaktivering af redningstilstand

- For at deaktivere spolemekanismen skal du trykke på den røde knap (1) og på spoleanordningens spindel (2) på samme tid.
- Kontrollér, at spoleanordningen er vendt lodret, med håndtaget øverst, mens handlingen udføres.
- Træk håndtaget (3) ud, inden det foldes ned (4).





FARE

Løftehandlinger med blocfor™ R

blocfor™ R må ikke anvendes til andre former for løft end redningsløft.

Spilsystemet er udelukkende designet til redningsoperationer.

Gennem hele redningen skal der bevares direkte eller indirekte visuel kontakt, eller anden form for kommunikation, mellem redderen og de andre personer involveret i redningen.

Ved redningsoperationer anbefales brug af en komfortabel EN 813 sele (f.eks. Promast™, Transport, Rescue) eller en sele udstyret med EN 1497 redningsremme.

6. Forbudt brug

Følgende er strengt forbudt:

- at installere eller bruge en blocfor™ faldsikring med automatisk rappel uden at være autoriseret, uddannet og anerkendt som værende kompetent til at bruge anordningen eller, for enhver, der ikke lever op til disse krav, uden at være under opsyn af en person, som er autoriseret, uddannet og anerkendt som værende kompetent til at bruge anordningen.
- at bruge en blocfor™ faldsikring med automatisk rappel, hvis en eller flere af mærkningerne ikke er læselige.
- at installere eller bruge en blocfor™ faldsikring med automatisk rappel uden først at have udført de forudgående kontroller.
- at bruge en blocfor™ faldsikring med automatisk rappel, som ikke har været genstand for en periodisk kontrol i løbet af de seneste 12 måneder, udført af en tekniker, der skriftligt har godkendt fortsat brug af faldsikringen.
- at forbinde en blocfor™ faldsikring med automatisk rappel med et punkt, som ikke har været genstand for en periodisk kontrol i løbet af de seneste 12 måneder, udført af en tekniker, der skriftligt har godkendt fortsat brug af faldsikringen.
- at bruge en blocfor™ faldsikring med automatisk rappel til andre anvendelser end til faldsikring af personer.
- at fastgøre en blocfor™ faldsikring med automatisk rappel til dens forankringspunkt ved hjælp af andre metoder eller andet udstyr.
- at bruge en blocfor™ faldsikring med automatisk rappel på nogen måde, der er i strid med oplysningerne i afsnit 15. Brugslevetid.
- at bruge en blocfor™ faldsikring med automatisk rappel som et faldsikringssystem for mere end 1 person.
- at bruge en blocfor™ faldsikring med automatisk rappel til at understøtte en belastning på mellem 100 kg og 150 kg (den samlede vægt af operatøren, udstyr og værktøj), hvis en eller flere af faldsikringssystemets komponenter har en lavere brugsbelastningsgrænse.
- at bruge en blocfor™ faldsikring med automatisk rappel, hvis den har været anvendt til at stoppe et fald.
- at bruge en blocfor™ faldsikring med automatisk rappel til at ophænge eller fastholde en persons position på et arbejdssted.

- at bruge en blocfor™ faldsikring med automatisk rappel i en meget ætsende eller eksplosiv atmosfære.
- at bruge en blocfor™ faldsikring med automatisk rappel uden for det temperaturområde, der er angivet i denne manual.
- at bruge en blocfor™ faldsikring med automatisk rappel, hvis den frie højde under personen ikke er tilstrækkelig i tilfælde af et fald.
- at bruge en blocfor™ faldsikring med automatisk rappel, hvis en af brugerne ikke er i god fysisk form.
- at bruge en blocfor™ faldsikring med automatisk rappel, hvis du er gravid.
- at bruge en blocfor™ faldsikring med automatisk rappel, hvis den sikkerhedsfunktion, der leveres af et af de tilknyttede elementer, påvirkes af eller griber ind i et andet elements sikkerhedsfunktion.
- at frigøre linen på en blocfor™ faldsikring med automatisk rappel, hvis den ikke er blevet trukket helt ind (*figur 2.a*).
- at bruge en blocfor™ faldsikring med automatisk rappel til at understøtte vægten af et udstyrselement.
- at forankre en blocfor™ faldsikring med automatisk rappel til et strukturelt forankringspunkt, hvis bæreevne er mindre end 12 kN eller kan antages at være mindre end 12 kN.
- at bruge en blocfor™ faldsikring med automatisk rappel med en lodret vinkel på mere end 20° (*figur 1.c*).
- at bruge linen på en blocfor™ faldsikring med automatisk rappel som hejstev.
- at forhindre justeringen af en blocfor™ faldsikring med automatisk rappel med dens line.
- at forhindre, at linen på en blocfor™ faldsikring med automatisk rappel kan trækkes jævnt ud og ind.
- at foretage nogen form for reparationer eller vedligeholdelse på en blocfor™ faldsikring med automatisk rappel uden først at være blevet uddannet og kvalificeret, skriftligt, af TRACTEL® (*figur 2.b*).
- at bruge en blocfor™ faldsikring med automatisk rappel, hvis den ikke er komplet, hvis den tidligere har været skilt ad og samlet igen, eller hvis komponenterne er blevet udskiftet af en person, der ikke er autoriseret af TRACTEL®.
- at lade en blocfor™ 20R/30R 150 kg faldsikring med automatisk rappel blive brugt af en person, hvis samlede vægt, inklusive udstyr og værktøj, overstiger 150 kg.
- at løfte en vægt ved hjælp af en blocfor™ 20R/30R faldsikring med automatisk rappel.
- at lade kablet blive slapt under redning ved at sænke personen.

7. Installation

- Hvis det er muligt, skal det strukturelle forankringspunkt være højere end operatøren. Bæreevnen for det strukturelle forankringspunkt må ikke være mindre end 12 kN.
- Anordningen skal være forbundet med forankringspunktet eller med strukturen ved hjælp af et EN 362 forbindelsesled eller ved hjælp af skruen på Tractel benbeslaget, som er designet specifikt til blocfor™ 20 og 30 R
- Når faldsikringssystemet skal forbindes med faldsikringsselen, kan du i vejledningen til selen og

faldsikringssystemet finde oplysninger om det korrekte forankringspunkt og den rigtige fastgørelsesmetode.

8. Komponenter og materialer

- Kabler: galvaniseret stål
- Støtdabsorber: PA + PES.
- Kabinet: PA/ABS eller aluminium for 30 m modellerne.
- Forankringskomponenter: galvaniseret stål

9. Tilknyttet udstyr

I overensstemmelse med standard EN 363 er blocfor™ 20R/30R 150 kg faldsikring med automatisk rappel én komponent i et faldsikringssystem, der skal bestå af:

- Et forankringspunkt (EN 795).
- Et endeforbindelsesled (EN 362).
- Et faldsikringssystem (EN 360) med et redningsløftesystem (EN 1496).
- Et forbindelsesled (EN 362).
- En faldsikringssele (EN 361), (bageste (ryg) fastgørelsespunkt anbefales).

Alle andre elementer af tilknyttet udstyr er forbudt.

10. Vedligeholdelse og opbevaring

- Hvis en blocfor™ faldsikring med automatisk rappel er snavset, skal den vaskes med rent, koldt vand. Hvis det er nødvendigt, skal der bruges et rengøringsmiddel til sarte tekstiler og en syntetisk børste.
- Hvis en blocfor™ faldsikring med automatisk rappel bliver våd under brug eller som følge af vask, skal den tørre naturligt ude af direkte sollys og på afstand af alle former for varmekilder.
- Inden transport og opbevaring skal udstyret pakkes i emballage, som holder fugt ude og beskytter mod enhver form for beskadigelse (direkte varmekilder, kemikalier, UV osv.).
- Kontrollér, at redningssystemet kan aktiveres/deaktiveres korrekt.
- Kontrollér, at kablet ikke er beskadiget på noget sted over hele længden.
- Hvis anordningen er kontamineret, skal du kontakte Tractel® eller en af dennes forhandlere.

11. Udstyrets overensstemmelse

TRACTEL SAS RD 619 – Saint-Hilaire-sous-Romilly – F-10102 Romilly-sur-Seine Frankrig erklærer herved, at det sikkerhedsudstyr, der er beskrevet i denne manual, er identisk med det udstyr, der blev kontrolleret for overensstemmelse med EN 1496(2017) af APAVE SUDEUROPE SAS – CS 60193 – 13322 Marseille – Frankrig

12. Mærkning

Forklaring af produktnavn:

B X R ESD Z

B: står for navnet på anordningen, blocfor™

X: typen af blocfor™ anordning i serien (20 R/30 R)

R: Redningsmodel (redningsløfteenhed, EN 1496)

ESD: en generisk term for serien

Z: Type af forbindelsesled på enden af den indtrækkelige line

F.eks.:

B20 R ESD M47

En blocfor™ faldsikring med automatisk rappel, redningsmodel, tilhørende ESD-serien, type 20, udstyret med et M47 forbindelsesled på siden af den indtrækkelige line.

Mærkatet på hver blocfor™ faldsikring med automatisk rappel angiver:

a: Handelsnavnet: TRACTEL®.

b. Produktets navn.

c. Referencestandard efterfulgt af år for ikrafttrædelse.

d. Produktreferencen.

e. CE-logoet efterfulgt af nummeret 0082, identificeringsnummeret for det bemyndigede organ, der har varetaget produktionskontrollen.

f. Produktionsår og -uge.

g. Serienummeret.

h: Et piktogram, der angiver, at manualen skal læses, inden anordningen bruges.

w. Brugsbelastningsgrænse.

aa. Dato for den næste periodiske kontrol.

ab. Minimumsbæreevnen for forankringspunktet.

13. Periodisk kontrol og reparation

En årlig periodisk kontrol er obligatorisk, men afhængigt af brugsfrekvensen, de miljømæssige forhold og virksomhedens eller brugslandets regler, kan de periodiske kontroller udføres hyppigere.

En autoriseret og kompetent tekniker skal foretage periodisk kontrol i henhold til producentens instruktioner, som findes i filen "Instruktioner for kontrol af TRACTEL®PPE-udstyr".

Kontrol af, at produktets mærkninger er læselige, bør være en central del af den periodiske kontrol.

Når den periodiske kontrol er gennemført, skal genindsætningen i drift angives skriftligt af den autoriserede og kompetente tekniker, som udførte

kontrollen. Produktets genindsætning i drift skal registreres på kontrolarket, der findes i midten af denne manual. Dette kontroldokument skal opbevares gennem hele produktets levetid, indtil det genanvendes.

Når dette produkt har stoppet et fald, skal der foretages en periodisk kontrol af det som beskrevet i dette dokument. Produktets tekstilkomponenter skal udskiftes, også selvom de ikke måtte have nogen synlige forringelser.

14. Brugslevetid

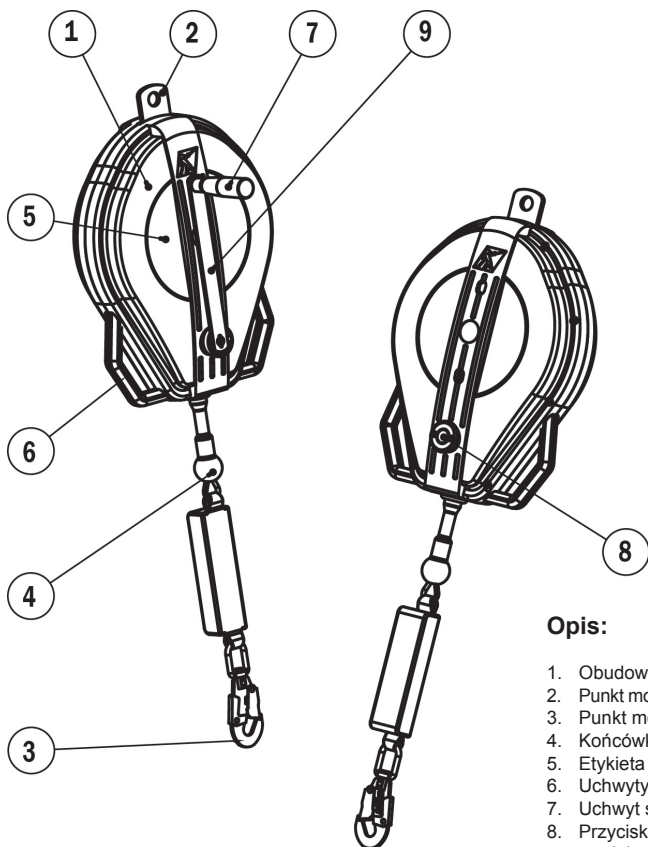
TRACTEL® PPE af tekstil som f.eks. seler, liner, tove og stødabsorbere, TRACTEL® mekanisk PPE som f.eks. stopcable™ og stopfor™ faldsikringer, blocfor™ faldsikringer med automatisk rappel og TRACTEL® livliner kan bruges på betingelse af, at de fra deres fremstillingsdato har været:

- Brugt normalt i henhold til de anbefalinger, der gives i denne manual.
- Kontrolleret periodisk mindst én gang om året af en godkendt og kompetent tekniker. Når denne periodiske kontrol er gennemført, skal det certificeres skriftligt, at PPE-udstyret er egnet til genindsættelse i drift.
- Opbevaret og transporteret i streng overensstemmelse med de betingelser, der er anført i denne manual.

15. Bortskaffelse

Ved bortskaffelse af produktet skal alle komponenter genbruges ved først at sortere dem i metal og syntetiske materialer. Disse materialer skal genbruges via specialiserede genbrugsorganisationer. Under bortskaffelsen skal afmontering med henblik på at adskille komponenterne foretages af en person, der har den nødvendige uddannelse.

DK



Opis:

1. Obudowa
2. Punkt mocowania do konstrukcji
3. Punkt mocowania do upręży
4. Końcówka liny
5. Etykieta identyfikacyjna
6. Uchwyty do przenoszenia
7. Uchwyt składany
8. Przycisk blokowania/zwalniania blokady
9. Korba

blocfor™ 20R/30R

Dane techniczne

Normy: EN 360, EN 1496 klasa B

Model	blocfor™ 20R ESD 150 kg	blocfor™ 30R ESD 150 kg
Masa (kg)	9,34	16
Wymiary dł. x szer. x gł. (mm)	400 x 275 x 100	600 x 320 x 130
Długość liny ze stali ocynkowanej Ø 4,9 mm (m)	18	30
Siła zwijania (N)	25	25
Siła zatrzymywania upadku (kN)	5	5
Odległość zatrzymywania upadku (mm)	800	800

Urządzenia blocfor™ to seria automatycznych zwijaczy zatrzymujących upadki posiadających oznakowanie CE i zgodnych z dyrektywą WE w sprawie środków ochrony indywidualnej. Świadcstwo zgodności wydane przez instytucję certyfikującą APAVE dotyczy ich użytkowania zgodnie z wymaganiami określonymi w normie EN 360:2002.

Świadcstwo zgodności z dyrektywą w sprawie środków ochrony indywidualnej wydane przez APAVE wyłącza inne zastosowania, takie jak zastosowania zgodne z normą EN 1496:2017 „Ratownicze urządzenia podnoszące”.

1. Ostrzeżenia ogólne dotyczące urządzeń ratunkowych

1. Ze względów bezpieczeństwa i w celu skutecznego wykorzystywania możliwości automatycznego zwijacza zatrzymującego upadki blocfor™ ważne jest, aby przed rozpoczęciem jego użytkowania użytkownik przeczytał i zrozumiał informacje zawarte w instrukcji dostarczonej przez TRACTEL SAS. Instrukcja ta musi być w każdej chwili dostępna dla wszystkich użytkowników. Na żądanie mogą zostać dostarczone dodatkowe egzemplarze.
2. Przed rozpoczęciem użytkowania tego urządzenia zabezpieczającego użytkownicy muszą bezwzględnie odbyć szkolenie w zakresie sposobu jego użytkowania. Należy sprawdzać stan sprzętu towarzyszącego i upewnić się, że zapewnia on wystarczającą przestrzeń w razie upadku.
3. Automatyczny zwijacz zatrzymujący upadki blocfor™ może być używany wyłącznie przez osobę przeszkoloną i kompetentną bądź pod nadzorem takiej osoby.
4. Jeżeli stan automatycznego zwijacza zatrzymującego upadki blocfor™ nie wygląda na dobry lub jeżeli został on już wykorzystany do zatrzymania upadku z wysokości, zwijacz wraz z całym powiązaniem osprzętem musi zostać poddany kontroli przez TRACTEL SAS lub przez osobę kompetentną w tej dziedzinie, która wyda pisemną zgodę na ponowne wprowadzenie systemu do eksploatacji. Przed każdym użyciem zalecane jest przeprowadzenie kontroli wzrokowej.
5. Nie wolno wprowadzać żadnych modyfikacji w sprzęcie ani dodawać do niego żadnych elementów bez uprzedniej pisemnej zgody ze strony TRACTEL SAS. Sprzęt musi być transportowany i przechowywany w swoim oryginalnym opakowaniu.
6. Każdy automatyczny zwijacz zatrzymujący upadki blocfor™, który nie został poddany przeglądowi okresowemu w ciągu ostatnich dwunastu miesięcy lub który był wykorzystany do zatrzymania upadku,

musi zostać wycofany z użytkowania. Można go ponownie użyć dopiero po przeprowadzeniu nowego przeglądu okresowego przez uprawnionego, kompetentnego technika, który musi potwierdzić na piśmie swoją zgodę na ponowne użytkowanie. Jeżeli automatyczny zwijacz zatrzymujący upadki blocfor™ nie został poddany takiemu przeglądowi i nie został dopuszczony do użytkowania, należy go zdemontować i zniszczyć.

7. Graniczne obciążenie robocze automatycznego zwijacza zatrzymującego upadki blocfor™ wynosi 150 kg.
8. Jeżeli masa operatora powiększona o masę wykorzystywanego sprzętu i oprzyrządowania wynosi od 100 kg do 150 kg, należy koniecznie upewnić się, że masa całkowita (operator + sprzęt + oprzyrządowanie) nie przekracza maksymalnego obciążenia roboczego każdego z elementów tworzących system zatrzymywania upadków.
9. Sprzęt ten nadaje się do stosowania na budowach na wolnym powietrzu, w zakresie temperatur od -35°C do $+60^{\circ}\text{C}$. Nie wolno dopuszczać do kontaktu z ostrymi krawędziami, powierzchniami o właściwościach ściernych i substancjami chemicznymi.
10. W przypadku powierzenia tego sprzętu pracownikowi lub osobie współpracującej należy stosować się do odpowiednich przepisów prawa pracy.
11. W momencie użytkowania tego sprzętu operator musi być w doskonałej formie fizycznej i psychicznej. W przypadku wątpliwości należy skonsultować się ze swoim lekarzem lub lekarzem medycyny pracy. Używanie tego sprzętu przez kobiety w ciąży jest zabronione.
12. Sprzęt może być użytkowany wyłącznie w podanym zakresie wartości granicznych i nie może być wykorzystywany do zastosowań, do których nie jest przewidziany — patrz rozdział „4. Funkcje i opis”.
13. Zaleca się przydzielanie automatycznych zwijaczy zatrzymujących upadki blocfor™ indywidualnie konkretnym operatorom, zwłaszcza jeżeli są to stali pracownicy.
14. Przed użyciem systemu zatrzymującego upadki zgodnego z normą EN 363 użytkownik musi się upewnić, że każda część składowa jest w dobrym stanie: system zabezpieczeń, system blokad. Podczas ustawiania i mocowania należy się upewnić, że funkcje zabezpieczające nie zostały osłabione.
15. Podczas korzystania z systemu zatrzymywania upadków przed każdym użyciem należy bezwzględnie sprawdzić, czy przestrzeń pod

operatorem jest wolna, aby w razie upadku nie doszło do kolizji z podłożem ani z przeszkodami znajdującymi się na trajektorii upadku (zanim zadziała system zatrzymywania upadków).

16. Uprząż zatrzymująca upadki jest jedynym urządzeniem zabezpieczającym przed upadkiem poprzez chwytnie ciała dopuszczonym do stosowania w systemie zatrzymywania upadków.
17. Dla zapewnienia bezpieczeństwa operatora niezwykle ważne jest, aby sprzęt lub punkt zakotwienia znajdował się we właściwym położeniu, a praca była wykonywana w sposób umożliwiający ograniczenie do minimum ryzyka upadku z wysokości.
18. Aby zapewnić bezpieczeństwo operatora, jeżeli sprzęt został sprzedany poza terytorium początkowego kraju docelowego, odsprzedawca powinien dostarczyć: instrukcję obsługi, instrukcje konserwacji oraz informacje dotyczące przeglądów okresowych i napraw opracowane w języku kraju, w którym sprzęt będzie użytkowany.
19. Graniczne obciążenie robocze automatycznego zwijacza zatrzymującego upadki blocfor™ 20R/30R wynosi 150 kg niezależnie od tego, czy jest on używany jako system zatrzymywania upadków (wg normy EN 360) czy jako system podnoszenia ratunkowego (wg normy EN 1496, klasa B).
20. Należy opracować i wdrożyć plan ratunkowy.



UWAGA

W sprawie wszelkich zastosowań specjalnych prosimy o kontakt z firmą TRACTEL® S.A.S.

2. Definicje i piktogramy

2.1. Definicje

„**Użytkownik**”: Osoba lub dział firmy, która (który) odpowiada za zarządzanie i zapewnianie bezpieczeństwa podczas korzystania z produktu stanowiącego przedmiot instrukcji.

„**Technik**”: Wykwalifikowana osoba wyznaczona do wykonywania konserwacji opisanej i dozwolonej w niniejszej instrukcji. Jest to osoba odpowiednio wykwalifikowana i znająca produkt.

„**Operator**”: Osoba zdolna do korzystania z produktu w sposób zgodny z jego przeznaczeniem.

„**Środki ochrony indywidualnej**”: Środki ochrony indywidualnej zabezpieczające przed upadkiem z wysokości.

„**Łącznik**”: Element służący do łączenia poszczególnych elementów systemu zatrzymywania upadków. Każdy element musi spełniać wymogi normy EN 362.

„**Uprząż zatrzymująca upadki z wysokości**”: Uprząż zakładana na ciało zatrzymująca upadki z wysokości. Składa się ona z pasów i sprzączek. Produkt zawiera zabezpieczające przed upadkiem punkty mocowania oznaczone symbolem A, jeżeli mogą one być wykorzystywane samodzielnie lub A/2, jeżeli muszą być wykorzystywane w połączeniu z innym punktem mocowania A/2. Uprząż musi spełniać wymogi normy EN 361.

„**Automatyczny zwijacz zatrzymujący upadki**”: Urządzenie zatrzymujące upadki z funkcją automatycznego blokowania i automatycznym systemem napinającym i zwijającym linę asekuracyjną.

„**Zwijana lina asekuracyjna**”: Lina asekuracyjna łączona z automatycznym zwijaczem zatrzymującym upadki. W zależności od rodzaju urządzenia może być ona wykonana z linki stalowej, taśmy lub włókien syntetycznych.

„**Graniczne obciążenie robocze**”: Maksymalna masa operatora w odpowiedniej odzieży roboczej wraz z prawidłowymi środkami ochrony indywidualnej, narzędziami i częściami koniecznymi do wykonania zaplanowanej pracy.

„**System zatrzymywania upadków**”: Zestaw zawierający następujące elementy:

- uprząż zatrzymującą upadki z wysokości,
- automatyczny zwijacz zatrzymujący upadki lub amortyzator wstrząsów, lub ruchome urządzenie zabezpieczające przed upadkiem ze sztywnymi linami asekuracyjnymi, lub ruchome urządzenie zabezpieczające przed upadkiem z elastycznymi linami asekuracyjnymi,
- zakotwienia,
- łączniki.

„**Element systemu zatrzymywania upadków**”: Wyrażenie ogólne określające jeden z następujących elementów:

- uprząż zatrzymującą upadki z wysokości,
- automatyczny zwijacz zatrzymujący upadki lub amortyzator wstrząsów, lub ruchome urządzenie zabezpieczające przed upadkiem ze sztywnymi linami asekuracyjnymi, lub ruchome urządzenie zabezpieczające przed upadkiem z elastycznymi linami asekuracyjnymi,
- zakotwienia,
- łączniki.

„**Ratunkowe urządzenie podnoszące klasy B wg normy EN 1496**”: Element lub podzespół systemu ratunkowego używany przez ratownika do podniesienia/opuszczenia zawieszanej osoby, wyposażony w dodatkową funkcję opuszczania ręcznego umożliwiającą opuszczenie osoby na odcinku ograniczonym do 2 m.

„**Sprzęt ratunkowy**”: Indywidualny system ochrony przed upadkami, za pomocą którego można się uratować samodzielnie lub ratować inne osoby w taki sposób, aby zapobiegać wszelkim upadkom.

2.2. Piktogramy



NIEBEZPIECZEŃSTWO: Piktogram umieszczony na początku wiersza oznacza zalecenia mające na celu zapobieganie możliwości odniesienia śmiertelnych, poważnych lub lekkich obrażeń ciała, a także wyrządzenia szkód w otoczeniu.



WAŻNE: Piktogram umieszczony na początku wiersza oznacza zalecenia mające na celu zapobieganie możliwości nieprawidłowego działania lub uszkodzenia sprzętu, które nie stanowią bezpośredniego zagrożenia dla życia lub zdrowia operatora bądź innych osób i/lub nie powinny wiązać się z wyrządzeniem szkód w otoczeniu.



UWAGA: Piktogram umieszczony na początku wiersza oznacza zalecenia mające na celu zapewnienie skutecznego i prawidłowego montażu sprzętu, użytkowania oraz przeprowadzania prac konserwacyjnych.

3. Warunki użytkowania

Kontrole przed rozpoczęciem użytkowania:

- Sprawdzić stan liny asekuracyjnej na całej długości:
 - syntetyczna lina lub pas nie mogą nosić żadnych śladów przetarcia, postrzępienia, nadpalenia, przecięcia,
 - lina stalowa nie może nosić żadnych śladów załamania, przetarcia, korozji lub zerwanych drutów.
- Sprawdzić, czy blokada liny asekuracyjnej aktywuje się po gwałtownym pociągnięciu za końcówkę liny oraz czy lina zwija się i rozwija prawidłowo na całej długości.
- Sprawdzić stan obudowy (brak odkształceń, obecne wszystkie śruby itp.).
- Sprawdzić stan i działanie łączników: brak widocznych odkształceń, możliwość otwierania, zamykania i blokowania.
- Sprawdzić stan elementów powiązanych z uprzężą i łącznikami. Patrz instrukcje poszczególnych produktów.

- Sprawdzić kompletny system zatrzymywania upadków.
- Sprawdzić, czy uchwyty do nóg są pewnie zamocowane do trójnogu ratunkowego Tracpode (patrz § 4.2.2.).
- Sprawdzić, czy w sprzęcie ustawiony jest tryb automatycznego zwijania i zatrzymywania upadków, tj. czy urządzenie ratunkowe nie jest włączone.
- Sprawdzić, czy blokada liny asekuracyjnej aktywuje się po gwałtownym pociągnięciu za końcówkę liny oraz czy lina zwija się i rozwija prawidłowo na całej długości.
- Sprawdzić, czy funkcja ratunkowa włącza się i wyłącza prawidłowo.
- Sprawdzić, czy blokada liny asekuracyjnej może utrzymać obciążenie zamocowane do liny oraz czy może się zwijać i rozwijać prawidłowo na całej długości podczas używania korby wciągarki.

4. Funkcje i opis

4.1. blocfor™ 20R/30R 150 kg

- Automatem zwijacz zatrzymujący upadki blocfor™ 20R/30R 150 kg jest zgodny z normą EN 360. Urządzenie blocfor™ ESD zgodne z normą EN 360 — patrz § 4 dołączonej instrukcji.
- Jest on wyposażony w urządzenie ratunkowe umożliwiające podnoszenie lub opuszczanie zawieszanej osoby (klasy B wg normy EN 1496): funkcja ratunkowa umożliwi ratownikowi podniesienie i/lub opuszczenie zawieszanej osoby po upadku. Może on być używany:
 - w pionie po zamocowaniu do punktu zakotwienia,
 - w położeniu skośnym po zamocowaniu do uchwyty na nogę trójnogu Tracpode.
- Funkcja ratunkowa jest wyłączana podczas używania zwijacza blocfor™ w trybie zatrzymywania upadków.
- W razie upadku mechanizm zwijacza blocfor™ blokuje się w celu zatrzymania ruchu. Aby ratować zawieszoną osobę (podnosząc ją lub opuszczając), należy włączyć mechanizm ratunkowy, naciskając czerwony przycisk blokady, a następnie obracać korbę.
- Automatem zwijacz zatrzymujący upadki blocfor™ 20R/30R 150 kg jest wyposażony w dwa uchwyty na obudowie służące do przenoszenia urządzenia. Można ich również używać podczas akcji ratunkowej — jedną ręką należy trzymać uchwyt, a drugą obracać korbę.
- Specjalnie zaprojektowany uchwyt na nogę służy do mocowania automatycznego zwijacza zatrzymującego upadki blocfor™ 20R/30R 150 kg do jednej z nóg trójnogu ratunkowego Tracpode.
- Podczas opuszczania zawieszanej osoby funkcja ratunkowa jest ograniczona do maksymalnego dystansu wynoszącego 2 metry. Aby wykonać opuszczanie na dłuższym odcinku, należy użyć urządzenia do opuszczania zgodnego z normą EN 341.

4.2. Uchwyt na nogę

4.2.1. Mocowanie zwijacza blocfor™ 20R/30R do uchwytu na nogę

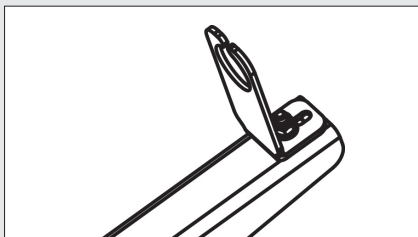
NIEBEZPIECZEŃSTWO

Automatycznego zwijacza zatrzymującego upadki blocfor™ 20R/30R 150 kg nie wolno mocować do żadnych innych uchwytów niż uchwyty na nogi trójnogu Tracpode marki Tractel.

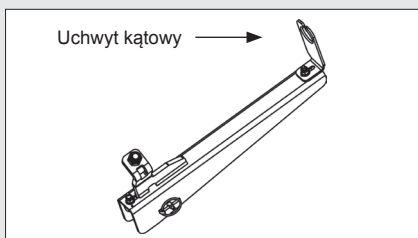
Przygotowanie uchwytu na nogę

Ustawić uchwyt kątowy na końcu uchwytu na nogę w prawidłowym położeniu dla używanego typu zwijacza blocfor™: 20R lub 30R.

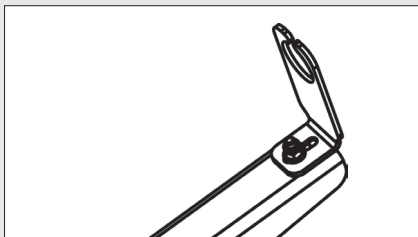
Położenie uchwytu kąтового dla modelu B20R



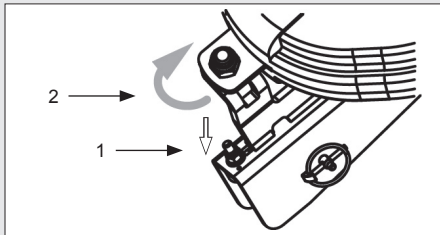
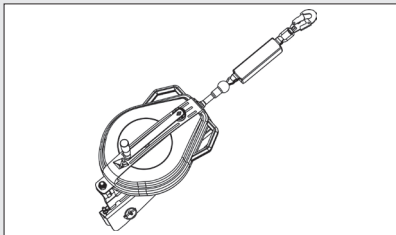
Kompletny uchwyt na nogę



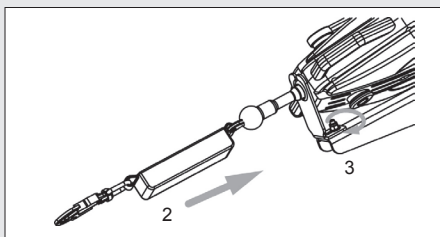
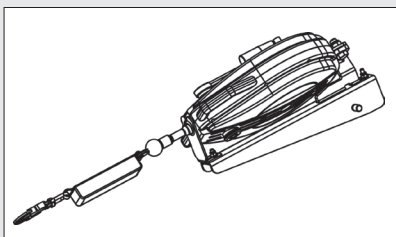
Położenie uchwytu kąтового dla modelu B30R



1. Umieścić zwijacz bloctor™ 20R/30R 150 kg na śrubie u góry uchwytu na nogę (1) i zamocować go poprzez całkowite dokręcenie nakrętki blokującej (2).



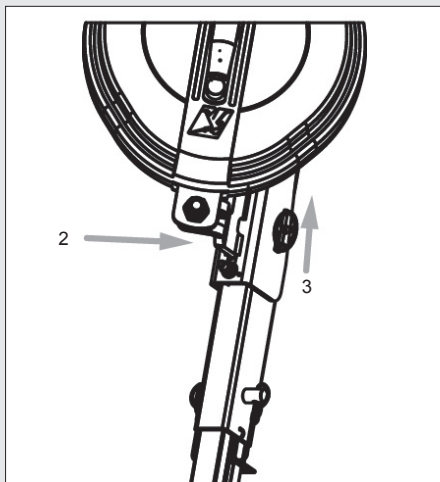
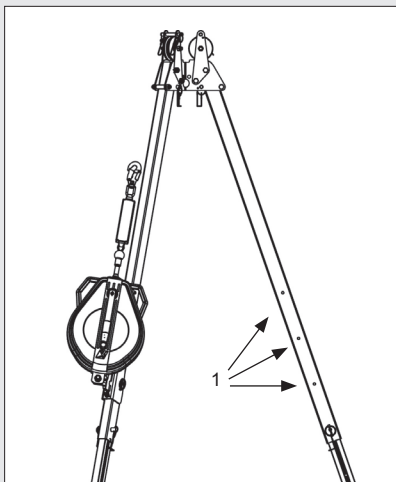
2. Po lekkim poluzowaniu śruby docisnąć uchwyt kątowy do zwijacza bloctor™, aby wyśrodkować prowadnicę liny.
3. Dokręcić nakrętkę uchwytu kątego.



PL

4.2.2. Mocowanie zwijacza bloctor™ 20R/30R 150 kg i uchwytu na nogę do trójnogu Tracpode

1. Wyjąć kołek blokujący, a następnie ustawić zwijacz bloctor™ 20R/30R 150 kg na wymaganej wysokości na trójnogu Tracpode (1) (możliwe są 3 położenia). Czynność tę należy wykonać zgodnie z instrukcją trójnogu Tracpode.
2. Wcisnąć kołek blokujący do otworu w uchwycie na nogę przez otwór w trójnogu Tracpode.
3. Zabezpieczyć kołek blokujący za pomocą zawlecзки.



4.2.3. Mocowanie zwijacza blocfor™ 20R/30R 150 kg do konstrukcji / punktu zakotwienia

- Punkt zakotwienia zwijacza blocfor™ 20R/30R 150 kg musi zawsze znajdować powyżej lub na poziomie stóp operatora, a nigdy poniżej.
- Do połączenia automatycznego zwijacza zatrzymującego upadki blocfor™ 20R/30R z punktem zakotwienia lub z konstrukcją, której nośność nie może być niższa niż 12 kN, należy użyć łącznika zgodnego z normą EN 362.

5. Zasada działania

Akcja ratunkowa za pomocą zwijacza blocfor™ R

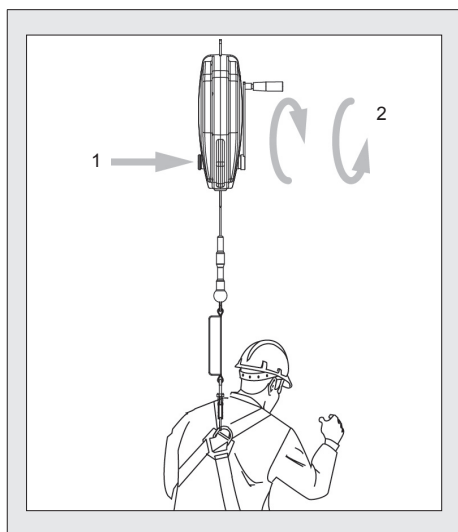
NIEBEZPIECZEŃSTWO

Aby przeprowadzić ewentualną ewakuację, w pobliżu musi być dostępna druga osoba.

Wymagane działania ratunkowe należy przemyśleć i ocenić z wyprzedzeniem w celu określenia zasobów ludzkich i sprzętu potrzebnych do uratowania zawieszonoj osoby w czasie krótszym niż 15 minut. Przekroczenie tego czasu stwarza zagrożenie dla osoby, która uległa upadkowi.

5.1. Włączanie funkcji ratunkowej

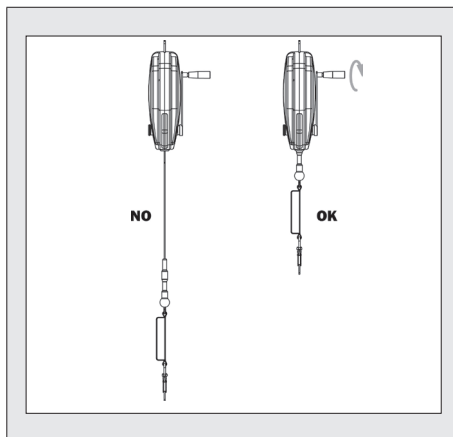
- (1) Aby włączyć funkcję ratunkową, nacisnąć czerwony przycisk blokady.
- (2) Aby przeprowadzić akcję ratowania operatora, wyciągnąć, a następnie obracać korbę:
 - obracanie w prawo powoduje podnoszenie,
 - obracanie w lewo powoduje opuszczanie.



5.2. Powrót do trybu zatrzymywania upadków

5.2.1. Zwijanie liny do urządzenia

Po zakończeniu akcji ratunkowej należy całkowicie zwinąć linę do urządzenia, obracając korbę w prawo.

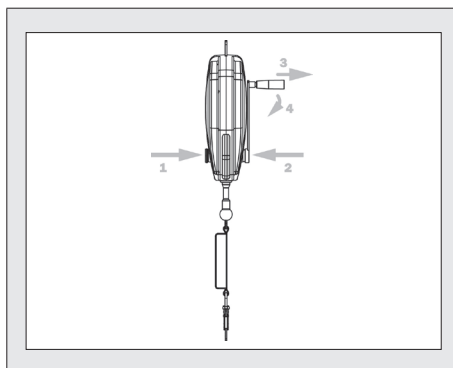


NIEBEZPIECZEŃSTWO

Nie wyłączać funkcji ratunkowej urządzenia do momentu całkowitego zwinienia liny do obudowy, ponieważ w przeciwnym razie lina może zwinąć się samoczynnie z niebezpiecznie wysoką prędkością.

5.2.2. Wyłączenie trybu ratunkowego

- Aby wyłączyć mechanizm wciągarki, należy równocześnie nacisnąć czerwony przycisk (1) i oś korby (2).
- Przed wykonaniem tej czynności upewnić się, że korba jest ustawiona pionowo z uchwytem na górze.
- Przed złożeniem (4) uchwytu (3) należy go pociągnąć.





NIEBEZPIECZEŃSTWO

Podnoszenie za pomocą zwijacza blocfor™ R

Zwijacza blocfor™ R nie wolno używać do podnoszenia innego niż podnoszenie ratunkowe.

Wciągarka jest zaprojektowana wyłącznie do operacji ratunkowych.

Przez cały okres akcji ratunkowej należy utrzymywać bezpośredni lub pośredni kontakt wzrokowy lub inny rodzaj komunikacji pomiędzy ratownikiem a pozostałymi osobami biorącymi udział w akcji.

Podczas operacji ratunkowych zalecane jest wykorzystywanie wygodnej uprząży zgodnej z normą EN 813 (takiej jak Promast™, Transport, Rescue) lub uprząży wyposażonej w pasy ratunkowe zgodne z normą EN 1497.

6. Użytkowanie zabronione

Surowo zabronione jest:

- Montowanie lub użytkowanie automatycznego zwijacza zatrzymującego upadki blocfor™ bez upoważnienia, przeszkolenia i uznania za osobę wykwalifikowaną do użytku urządzenia lub, w przypadku osób niespełniających tych wymagań, bez nadzoru przez osobę upoważnioną, przeszkoloną i znaną za wykwalifikowaną do użytku urządzenia.
- Używanie automatycznego zwijacza zatrzymującego upadki blocfor™, jeżeli oznaczenia są nieczytelne.
- Montowanie lub używanie automatycznego zwijacza zatrzymującego upadki blocfor™ bez uprzedniego przeprowadzenia kontroli wstępnej.
- Używanie automatycznego zwijacza zatrzymującego upadki blocfor™, którego przegląd okresowy nie został przeprowadzony w ciągu ostatnich 12 miesięcy przez osobę kompetentną w tej dziedzinie, która wydała pisemną zgodę na dalsze użytkowanie urządzenia.
- Zaczepianie automatycznego zwijacza zatrzymującego upadki blocfor™ do punktów, których przegląd okresowy nie został przeprowadzony w ciągu ostatnich 12 miesięcy przez osobę kompetentną w tej dziedzinie, która wydała pisemną zgodę na dalsze użytkowanie urządzenia.
- Wykorzystywanie automatycznego zwijacza zatrzymującego upadki blocfor™ w celach innych niż zatrzymywanie upadków osób.
- Mocowanie automatycznego zwijacza zatrzymującego upadki blocfor™ do punktu zakotwienia za pomocą innych środków lub urządzeń.
- Użytkowanie automatycznego zwijacza zatrzymującego upadki blocfor™ w sposób sprzeczny z informacjami podanymi w części „15. Okres przydatności do użytku”.
- Wykorzystywanie automatycznego zwijacza zatrzymującego upadki blocfor™ jako zabezpieczenia przed upadkiem z wysokości dla więcej niż 1 osoby.
- Używanie automatycznego zwijacza zatrzymującego upadki blocfor™ do utrzymywania obciążenia

wynoszącego od 100 do 150 kg (całkowita masa operatora, jego sprzętu i narzędzi), jeżeli graniczne obciążenie robocze któregośkolwiek elementu systemu zatrzymywania upadków jest niższe.

- Użytkowanie automatycznego zwijacza zatrzymującego upadki blocfor™, który posłużył do zatrzymania upadku.
- Użytkowanie automatycznego zwijacza zatrzymującego upadki blocfor™ jako środka służącego do zawieszania lub przytrzymywania osoby w miejscu pracy.
- Użytkowanie automatycznego zwijacza zatrzymującego upadki blocfor™ w atmosferze silnie korozyjnej lub wybuchowej.
- Użytkowanie automatycznego zwijacza zatrzymującego upadki blocfor™ poza zakresem temperatur roboczych podanym w niniejszej instrukcji.
- Użytkowanie automatycznego zwijacza zatrzymującego upadki blocfor™, jeżeli wysokość nad podłożem nie jest wystarczająca w razie upadku.
- Użytkowanie automatycznego zwijacza zatrzymującego upadki blocfor™, jeżeli którykolwiek z użytkowników nie jest w dobrej formie fizycznej.
- Używanie automatycznego zwijacza zatrzymującego upadki blocfor™ przez kobiety w ciąży.
- Używanie automatycznego zwijacza zatrzymującego upadki blocfor™, jeżeli funkcja zabezpieczająca któregośkolwiek z urządzeń towarzyszących wpływa na funkcję zabezpieczającą innego urządzenia zabezpieczającego lub z nią koliduje.
- Zwalnianie liny asekuracyjnej automatycznego zwijacza zatrzymującego upadki blocfor™, która nie została całkowicie zwinięta (*rysunek 2.a*).
- Używanie automatycznego zwijacza zatrzymującego upadki blocfor™ do zawieszania sprzętu.
- Mocowanie automatycznego zwijacza zatrzymującego upadki blocfor™ do konstrukcyjnego punktu zakotwienia, którego nośność jest niższa niż 12 kN lub dla którego można przypuszczać, że jest ona niższa niż 12 kN.
- Użytkowanie automatycznego zwijacza zatrzymującego upadki blocfor™ odchylonego od pionu o ponad 20° (*rysunek 1.c*).
- Używanie liny asekuracyjnej automatycznego zwijacza zatrzymującego upadki blocfor™ jako zawiesia.
- Utrudnianie współliniowego ustawienia automatycznego zwijacza zatrzymującego upadki blocfor™ z liną asekuracyjną.
- Utrudnianie swobodnego rozwijania i zwijania liny asekuracyjnej automatycznego zwijacza zatrzymującego upadki blocfor™.
- Wykonywanie napraw lub konserwacji automatycznego zwijacza zatrzymującego upadki blocfor™ bez pisemnego zaświadczenia o szkoleniu i upoważnieniu, wydanego przez firmę TRACTEL® (*rysunek 2.b*).
- Użytkowanie automatycznego zwijacza zatrzymującego upadki blocfor™, jeżeli nie jest on kompletny, był wcześniej rozmontowany i zmontowany lub jeżeli któregośkolwiek jego

PL

części zostały wymienione przez osobę, która nie została wcześniej upoważniona przez firmę TRACTEL®.

- Używanie automatycznego zwijacza zatrzymującego upadki blocfor™ 20R/30R 150 kg przez osobę, której całkowita masa wraz ze sprzętem i narzędziami przekracza 150 kg.
- Podnoszenie ładunków za pomocą automatycznego zwijacza zatrzymującego upadki blocfor™ 20R/30R.
- Dopuszczanie do luźnego zwisu liny podczas ratowania osoby poprzez jej opuszczanie.

7. Montaż

- Zawsze jeżeli to możliwe, konstrukcyjny punkt zakotwienia powinien znajdować się powyżej operatora. Nośność konstrukcyjnego punktu zakotwienia nie może być niższa niż 12 kN.
- Urządzenie należy mocować do punktu zakotwienia lub konstrukcji za pomocą łącznika zgodnego z normą EN 362 lub za pomocą śruby uchwyty na nogę Tractel przeznaczonej specjalnie dla zwijacza blocfor™ 20 i 30 R.
- Połączenie systemu zatrzymującego upadki z uprzężą należy wykonywać zgodnie z instrukcjami uprząży i systemu: stosowanie odpowiednich punktów zakotwienia i prawidłowa metoda mocowania.

8. Części składowe i materiały

- Liny: stal ocynkowana.
- Amortyzator wstrząsów: PA + PES.
- Obudowa: PA/ABS lub aluminium w modelach 30 m.
- Elementy zakotwienia: stal ocynkowana.

9. Powiązane urządzenia

Zgodnie z normą EN 363 automatyczny zwijacz zatrzymujący upadki blocfor™ 20R/30R 150 kg jest elementem składowym systemu zatrzymywania upadków, który musi się składać z następujących elementów:

- punkt zakotwienia (EN 795),
- łącznik końcowy (EN 362),
- system zatrzymywania upadków (EN 360) z ratunkowym systemem podnoszenia (EN 1496),
- łącznik (EN 362),
- uprzęż zatrzymująca upadki (EN 361) (zalecany punkt zaczepienia z tyłu (na plecach)).

Wszelkie inne elementy są zabronione.

10. Konserwacja i przechowywanie

- Jeżeli automatyczny zwijacz zatrzymujący upadki blocfor™ jest zanieczyszczony, należy go umyć czystą zimną wodą z użyciem, w razie potrzeby, detergentu do delikatnych tkanin. Należy używać szcztotki syntetycznej.
- Jeżeli w trakcie użytkowania lub w wyniku mycia automatyczny zwijacz zatrzymujący upadki blocfor™ uległ zamoczeniu, należy pozostawić go do naturalnego wyschnięcia w cieniu z dala od źródeł ciepła.

- Przed transportem i przechowywaniem należy umieścić sprzęt w opakowaniu, które zabezpieczy go przed wilgocią i wszelkimi uszkodzeniami (bezpośrednie źródła ciepła, środki chemiczne, promieniowanie UV itp.).
- Sprawdzić, czy system ratunkowy można prawidłowo włączyć/wyłączyć.
- Sprawdzić, czy lina nie jest uszkodzona na całej długości.
- Jeżeli urządzenie jest zanieczyszczone, skontaktować się z firmą Tractel® lub jednym z jej przedstawicieli.

11. Zgodność sprzętu

TRACTEL SAS RD 619 — Saint-Hilaire-sous-Romilly — F-10102 Romilly-sur-Seine — Francja niniejszym oświadcza, że sprzęt ochronny opisany w niniejszej instrukcji jest identyczny ze sprzętem sprawdzonym pod kątem zgodności z normą EN 1496(2017) przez APAVE SUDEUROPE SAS — CS 60193 — 13322 Marseille — Francja.

12. Oznakowanie

Wyjaśnienie nazwy produktu:

B X R ESD Z

B: nazwa urządzenia, blocfor™.

X: typ urządzenia blocfor™ w serii (20 R/30 R).

R: model ratunkowy (ratunkowe urządzenie podnoszące wg normy EN 1496).

ESD: ogólne określenie serii.

Z: typ łącznika na końcu zwijanej liny asekuracyjnej.

Przykład:

B20 R ESD M47

Automatyczny zwijacz zatrzymujący upadki blocfor™, model ratunkowy należący do serii ESD, typ 20, wyposażony w łącznik M47 na końcu liny asekuracyjnej.

Etykieta na każdym automatycznym zwijaczu zatrzymującym upadki blocfor™ zawiera następujące dane:

- a. Nazwa handlowa: TRACTEL®.
- b. Nazwa produktu.
- c. Odpowiednia norma i rok jej wprowadzenia.
- d. Oznaczenie wyrobu.
- e. Logo CE z następującym po nim numerem 0082 stanowiącym numer identyfikacyjny zatwierdzonej instytucji odpowiedzialnej za kontrolę produkcji.
- f. Rok i tydzień produkcji.
- g. Numer seryjny.
- h. Piktogram informujący o konieczności przeczytania instrukcji obsługi przed użyciem.
- w. Graniczne obciążenie robocze.

- aa. Data następnego przeglądu okresowego.
- ab. Minimalna nośność punktu zakotwienia.

13. Przeglądy okresowe i naprawy

Obowiązkowe jest przeprowadzanie okresowych przeglądów rocznych, ale zależnie od intensywności i częstotliwości użytkowania, warunków otoczenia oraz przepisów obowiązujących w przedsiębiorstwie lub kraju, w którym sprzęt jest używany, przeglądy okresowe mogą być wykonywane częściej.

Przeglądy okresowe muszą być przeprowadzane przez uprawnionego, kompetentnego technika, zgodnie z procedurami kontrolnymi producenta, określonymi w pliku „Instrukcje dotyczące weryfikacji środków ochrony indywidualnej firmy TRACTEL®”.

Potwierdzenie czytelności oznakowania znajdującego się na produkcie stanowi integralną część przeglądu okresowego.

Ponowne oddanie produktu do użytkowania po zakończeniu przeglądu okresowego musi zostać pisemnie stwierdzone przez upoważnionego i wykwalifikowanego technika, który wykonał przegląd. Ponowne oddanie produktu do użytkowania musi zostać potwierdzone na karcie kontrolnej, która znajduje się w środku tej instrukcji. Karta kontrolna musi być przechowywana przez cały okres użytkowania produktu, aż do jego zniszczenia.

Jeżeli niniejszy produkt zatrzymał upadek, musi przejść przegląd okresowy opisany w niniejszym artykule. Tekstylny element produktu należy wymienić, nawet jeżeli nie wykazują widocznych uszkodzeń.

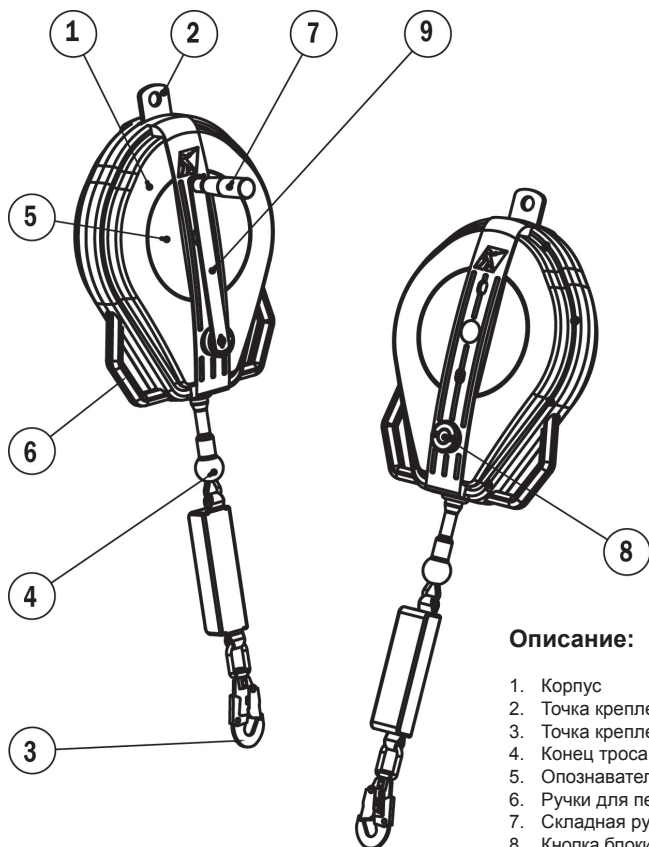
14. Okres przydatności do użytku

Tekstylny środki ochrony indywidualnej firmy TRACTEL® takie jak uprząże, linki oraz pochłaniacze wstrząsów, mechaniczne środki ochrony indywidualnej firmy TRACTEL®, takie jak urządzenia zatrzymujące upadki stopcable™ i stopfor™, automatyczne związce zatrzymujące upadki blocfor™ oraz poziome linowe systemy asekuracyjne firmy TRACTEL® mogą być użytkowane bez ograniczeń pod warunkiem, że od daty ich produkcji są one:

- Normalnie użytkowane zgodnie z zaleceniami podanymi w niniejszej instrukcji.
- Poddawane przeglądom okresowym dokonywanym co najmniej raz w roku przez autoryzowanego i kompetentnego technika. Możliwość powrotu do użytkowania środków ochrony indywidualnej po przeglądzie okresowym musi zostać potwierdzona na piśmie.
- Przechowywane i transportowane ze ścisłym przestrzeganiem warunków podanych w niniejszej instrukcji.

15. Utylizacja

Podczas wycofywania produktu z użytkowania, należy przeznaczyć poszczególne elementy do recyklingu, przeprowadzając sortowanie metali oraz materiałów z tworzyw sztucznych. Materiały te muszą zostać przekazane do recyklingu w wyspecjalizowanych zakładach. Podczas wycofywania produktu z użytkowania, czynności dotyczące jego demontażu i separacji poszczególnych komponentów powinny zostać przeprowadzone przez osobę odpowiednio przeszkoloną.



Описание:

1. Корпус
2. Точка крепления к конструкции
3. Точка крепления к привязи
4. Конец троса
5. Оповестительная этикетка
6. Ручки для переноски
7. Складная ручка
8. Кнопка блокировки/разблокировки
9. Рукоятка

blocfor™ 20R/30R

Техническая спецификация

Стандарты: EN 360, EN 1496 тип B

Модель	blocfor™ 20R ESD 150 кг	blocfor™ 30R ESD 150 кг
Масса (кг)	9,34	16
Размер Д x Ш x В (мм)	400 x 275 x 100	600 x 320 x 130
Длина стального оцинкованного стропа Ø 4,9 мм (м)	18	30
Сила втягивания (Н)	25	25
Сила остановки падения (кН)	5	5
Тормозной путь (мм)	800	800

blocfor™ – это линейка страховочных устройств втягивающего типа, имеющих маркировку CE и соответствующих Директиве ЕС о средствах индивидуальной защиты (СИЗ). Сертификат соответствия, выданный сертификационным центром ARAVE, предусматривает их эксплуатацию в соответствии с требованиями стандарта EN 360:2002.

Сертификат соответствия в отношении СИЗ, выданный сертификационным центром ARAVE, исключает применение в других целях, например, соответствия стандарту EN 1496:2017 (подъемные спасательные системы).

1. Основные инструкции по использованию устройств для эвакуации

1. Для обеспечения безопасного и эффективного использования снаряжения перед началом использования страховочного устройства втягивающего типа blocfor™ следует прочесть данную инструкцию фирмы TRACTEL SAS и соблюдать ее положения. Каждый пользователь должен сохранить эту инструкцию и иметь доступ к ней в любой момент. Дополнительные копии инструкции предоставляются по требованию.
2. Прежде чем начать использовать это устройство для защиты от падения, необходимо пройти соответствующий инструктаж. Проверьте состояние используемого снаряжения и убедитесь, что вы имеете достаточный запас высоты.
3. Стопорный механизм страховочного устройства втягивающего типа blocfor™ может использоваться только прошедшим инструктаж и обучение оператором или под контролем такого оператора.
4. Если страховочное устройство втягивающего типа blocfor™ выглядит поврежденным, или если оно уже было использовано для предотвращения падения, всё снаряжение должно быть проверено в TRACTEL SAS или компетентным специалистом, который должен выдать письменное разрешение на повторное использование снаряжения. Рекомендуется осуществлять визуальную проверку снаряжения каждый раз перед началом использования.
5. Внесение каких бы то ни было изменений в конструкцию снаряжения или монтаж дополнительных элементов может быть осуществлено только при наличии предварительного письменного разрешения фирмы TRACTEL SAS. Транспортировку и хранение снаряжения следует осуществлять в фабричной упаковке.
6. Если страховочное устройство втягивающего типа blocfor™ не прошло регулярную проверку в течение последних 12 месяцев или хотя бы один раз сработало для остановки падения, его дальнейшее использование не допускается. Дальнейшее использование комплекта допускается только после проведения новой периодической проверки, которую выполняет уполномоченный компетентный специалист с последующей выдачей письменного разрешения на использование комплекта. В отсутствие таких проверок и разрешений страховочное устройство втягивающего типа blocfor™ подлежит списанию и уничтожению.
7. Максимальная рабочая нагрузка страховочного устройства втягивающего типа blocfor™ составляет 150 кг.
8. Если масса оператора со снаряжением и оборудованием составляет от 100 до 150 кг, необходимо убедиться, что общая масса (оператор + снаряжение + оборудование) не превышает максимальную рабочую нагрузку для каждого из элементов системы защиты от падения.
9. Данное снаряжение предназначено для использования на открытом воздухе и в диапазоне температур от -35°C до +60°C. Следует избегать соприкосновения с острыми краями, абразивными поверхностями и химическими продуктами.
10. Если данное оборудование будет использоваться одним из ваших сотрудников, рабочих и т.п., вы обязаны соблюдать соответствующие положения законодательства по охране труда.
11. Данное оборудование предназначено для использования физически и психически здоровыми лицами. В случае сомнения следует обратиться к его/ее лечащему врачу или к врачу предприятия. Категорически воспрещается использовать данное снаряжение при беременности.
12. Снаряжение можно использовать только в рамках применения и только в ситуациях, для которых оно предусмотрено: см. раздел «4. Функции и описание».
13. Рекомендуется выдать личное страховочное устройство втягивающего типа blocfor™ каждому индивидуальному пользователю, в особенности, если речь идет о сотрудниках предприятия.
14. До начала использования системы защиты от падения EN 363 пользователь должен убедиться в том, что все ее элементы (система безопасности, замки) находятся в рабочем состоянии. После монтажа устройств обеспечения безопасности важно убедиться, что страховочные функции никоим образом не нарушены.

RU

15. В системе предотвращения падений крайне важным является проверка наличия свободного пространства под оператором на месте работы перед началом каждого использования, таким образом, чтобы в случае падения не было опасности травмы в результате соприкосновения с землей или с иными объектами, находящимися на траектории падения (до активации системы остановки падения).
16. Страховочная привязь — единственное удерживающее тело человека приспособление, разрешенное к применению в системе для защиты от падения.
17. В целях обеспечения безопасности оператора необходимо соблюдать правильное положение устройства или узла крепления, а также выполнять работу таким образом, чтобы свести к минимуму риск падения и его высоту.
18. В целях обеспечения безопасности оператора, при реализации продукции за пределами первой страны назначения дистрибьютор должен предоставить следующие сведения: руководство по эксплуатации, инструкции по техническому обслуживанию, документацию о проведении периодического контроля и починки на языке страны, в которой снаряжение будет использоваться.
19. Максимальная рабочая нагрузка страховочного устройства втягивающего типа blocfor™ 20R/30R составляет 150 кг вне зависимости от того, используется он в качестве страховочного устройства (EN 360) или подъемного спасательного устройства (EN 1496 тип B).
20. План спасения должен быть разработан и реализован.

ПРИМЕЧАНИЕ

Если предполагается использовать снаряжение в особых условиях, убедительно просим обратиться в компанию TRACTEL® S.A.S.

2. Определения и условные обозначения

2.1. Определения

“Пользователь”: – лицо или служба, ответственные за обращение и безопасность использования изделия, описанного в инструкции.

“Техник”: – квалифицированный сотрудник, отвечающий за операции по техническому обслуживанию, предусмотренные руководством. Специалист обладает необходимыми знаниями и хорошо знаком с продукцией.

“Оператор”: – лицо, способное использовать продукцию в соответствии с ее назначением.

“СИЗ”: – средства индивидуальной защиты от падения с высоты.

“Карабин”: – устройство, соединяющее элементы страховочной системы. Соответствует требованиям стандарта EN 362.

“Страховочная привязь”: – система удержания корпуса, предназначенная для защиты от падения. Состоит из ремней и пряжек. Оснащена узлами крепления для защиты от падения. Узлы крепления, обозначенные символом «А», могут использоваться самостоятельно, узлы крепления с обозначением «А/2» следует использовать в сочетании с другими узлами крепления «А/2». Страховочная привязь соответствует требованиям стандарта EN 361.

“Страховочное устройство втягивающего типа”: – система защиты от падения с функцией автоматической блокировки и автоматической системой натяжения и возврата регулируемого страховочного троса.

“Втягивающийся строп”: – соединительный элемент автоматической системы защиты от падения. Может представлять собой стальной трос, текстильный или синтетический ремень в зависимости от типа устройства.

Максимальная рабочая нагрузка – максимальная масса оператора, включая снаряжение, СИЗ, рабочую одежду, оборудование и прочие элементы, необходимые для выполнения работ.

Система защиты от падения – комплект, состоящий из следующих элементов.

- Страховочная привязь для защиты от падения;
- Страховочное устройство втягивающего типа, амортизатор или подвижная анкерная точка на гибкой или жесткой анкерной линии;
- Крепление;
- Соединительный элемент.

Элемент системы защиты от падения. – общий термин, обозначающий один из следующих элементов:

- Страховочная привязь;
- Страховочное устройство втягивающего типа, амортизатор или подвижная анкерная точка на гибкой или жесткой анкерной линии;
- Крепление;
- Соединительный элемент.

Подъемное спасательное устройство EN 1496 типа B – элемент или узел спасательной системы, используемой спасателем для поднятия подвешенного человека с более низкого на более высокое место и включающей в себя

дополнительную функцию эвакуации, приводимую в действие вручную, для спуска человека с высоты не превышающей 2 м.

Спасательное оборудование – система индивидуальной защиты от падения с высоты, с помощью которой человек может, предотвратив падение, спасти себя или других.

2.2. Условные обозначения



ОПАСНО! Размещается в начале линии, обозначает инструкции, направленные на предупреждение травматизма (причинение смертельных, тяжелых и незначительных травм) и нанесения ущерба окружающей среде.



ВАЖНО! Размещается в начале линии, обозначает инструкции, направленные на предупреждение неисправностей или повреждений снаряжения, не угрожающих непосредственно жизни или здоровью оператора или других лиц и не представляющих опасность для окружающей среды.



ПРИМЕЧАНИЕ. Размещается в начале линии, обозначает инструкции, направленные на обеспечение эффективности и удобства установки, эксплуатации или технического обслуживания.

3. Условия использования

Проверка перед началом использования:

- Проверить состояние фала, вытянув его во всю длину:
 - ни на тросе с синтетическим сердечником, ни на ремне не должно быть видно потеростей, выдернутых ниток, прожогов или дыр.
 - на стальном тросе не должно быть следов сгибов, абразивного износа, коррозии или перерезанных проводов.
- Следует убедиться в том, что трос тормозится, если резко потянуть за его конец и легко разворачивается и сворачивается по всей длине.
- Проверить состояние корпуса (отсутствие деформации, наличие винтов и пр.).
- Следует проверить состояние и работу карабинов: отсутствие видимой деформации, легко открыты, закрыты и защелкнуты.
- Следует проверить состояние пряжек на страховочных привязях. См. инструкции по эксплуатации каждого изделия.
- Следует полностью проверить систему защиты от падения.
- Убедитесь, что все анкерные консоли надежно прикреплены к временной анкерной точке треножного типа Tracode (см. § 4.2.2)

- Убедитесь, что оборудование находится в режиме остановки падения путем втягивания, т. е. функция эвакуации не активирована.
- Убедитесь, что устройство, блокирующее строп, активируется, если резко потянуть за конец стропа, и легко разворачивается и сворачивается по всей длине.
- Убедитесь, что функция открытия правильно срабатывает и отключается.
- Убедитесь, что устройство, блокирующее строп, может выдержать вес, присоединенный к концу стропа, и легко разворачивается и сворачивается по всей длине при вращении рукоятки лебедки.

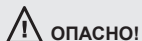
4. Функции и описание

4.1. blocfor™ 20R/30R 150 кг

- Страховочное устройство blocfor™ 20R/30R 150 кг – это страховочное устройство втягивающего типа, соответствующее стандарту EN 360 (см. § 4 приложенной инструкции для blocfor™ ESD - EN 360).
- Оно оснащено спасательным устройством для поднятия и спуска подвешенного человека (EN 1496 тип B): функция эвакуации позволяет спасателю поднимать и/или спускать подвешенного человека после падения. Устройство может использоваться:
 - вертикально в случае крепления к узлу крепления;
 - под углом в случае крепления к анкерной консоли, установленной на Tracode.
- Спасательная функция отключена, когда blocfor™ используется в режиме остановки падения.
- В случае срыва механизм устройства blocfor блокируется для прекращения дальнейшего движения. Для спасения подвешенного человека (путем поднятия или спуска) активируйте функцию эвакуации, нажав красную кнопку блокировки, и затем вращайте рукоятку.
- На кожухе страховочного устройства втягивающего типа blocfor™ 20R/30R 150 кг имеется 2 ручки для переноски блока. Они также могут использоваться во время спасательной операции: одной рукой удерживайте одну из ручек для переноски, а другой вращайте рукоятку.
- Для закрепления страховочного устройства втягивающего типа blocfor™ 20R/30R 150 кг на одной из ножек спасательной треноги Tracode используется специально разработанная анкерная консоль.
- Функция эвакуации при спуске подвешенного человека выполняется не более чем на 2 метра. Чтобы спустить человека более чем на 2 метра, используйте устройство для спуска, соответствующее стандарту EN 341.

4.2. Анкерная консоль

4.2.1 Установка устройства blocfor™ 20R/30R на анкерную консоль

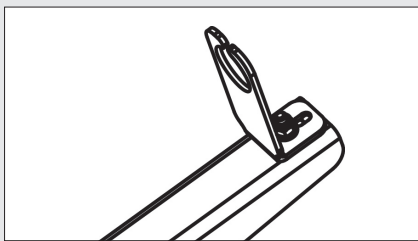


Страховочное устройство втягивающего типа blocfor™ 20R/30R 150 кг можно устанавливать только на анкерную консоль Tractel Tracode.

Подготовка анкерной консоли

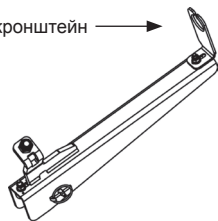
Установите угловой кронштейн на конце анкерной консоли в положении, предусмотренном для используемого типа устройства blocfor™: 20R или 30R.

Разместите угловой кронштейн таким образом, чтобы на него можно было установить B20R

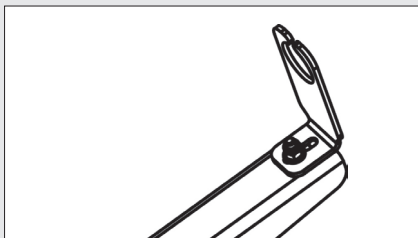


Закончите сбор анкерной консоли

Угловой кронштейн →

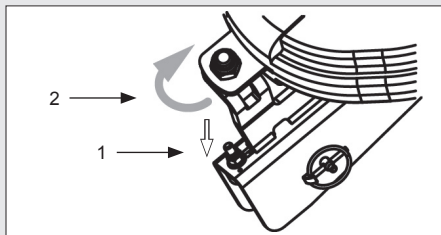
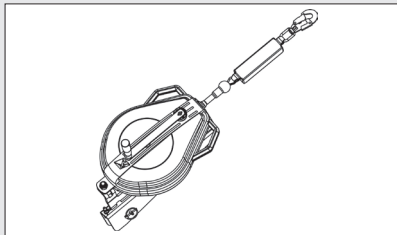


Установите угловой кронштейн таким образом, чтобы на него можно было установить B30R

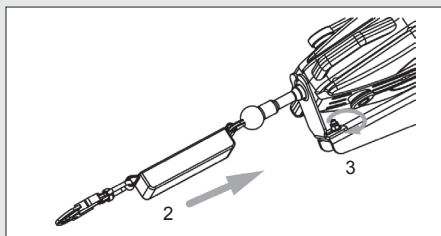
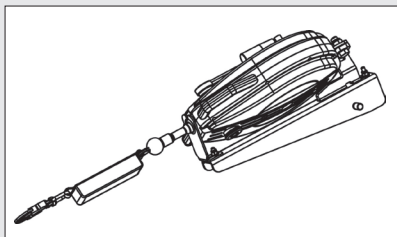


RU

1. Установите blocfor™ 20R/30R 150 кг на болт анкерной консоли (1) и закрепите его, плотно затянув замковую гайку (2)



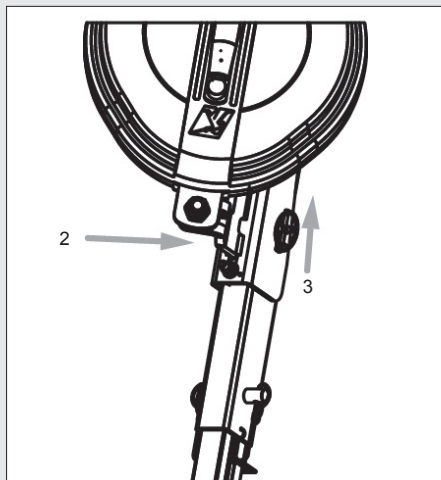
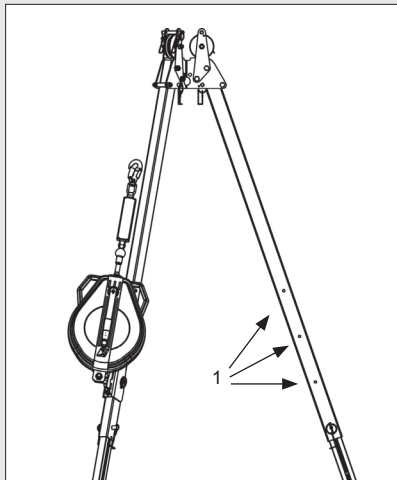
2. В положении ослабленного натяжения болта углового кронштейна, прижмите его к устройству blocfor™ для центровки положения направляющего троса.
3. Затяните гайку углового кронштейна



RU

4.2.2 Установка устройства blocfor™ 20R/30R 150 кг и сборка анкерной консоли на Tracode

1. Удалите стопорный штифт и затем разместите устройство blocfor™ 20R/30R 150 кг на необходимой высоте на Tracode (существует 3 возможных положения). Для этой операции см. инструкцию по эксплуатации для Tracode.
2. Протолкните стопорный штифт через отверстия в анкерной консоли и через отверстие в Tracode.
3. Закрепите стопорный штифт, используя пружинный зажим



4.2.3 Установка устройства blocfor™ 20R/30R 150 кг на конструкцию / на точку крепления.

- Точка крепления для blocfor™ 20R/30R 150 кг всегда должна находиться выше или на уровне стоп оператора, но не ниже этого уровня.
- Используйте соединительное устройство, соответствующее стандарту EN 362 для соединения страховочного устройства втягивающего типа blocfor™ 20R/30R с точкой крепления или с конструкцией, допустимая нагрузка которой составляет не менее 12 кН.

5. Принцип работы

Проведение спасательной операции с использованием blocfor™ R



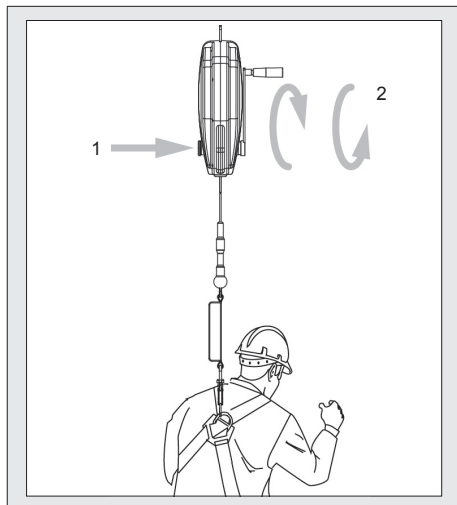
ОПАСНО!

Второй человек должен быть доступен поблизости, чтобы при необходимости осуществить спасательную операцию.

Необходимые спасательные операции необходимо изучить и оценить заранее, чтобы определить необходимые людские ресурсы и оборудование для спасения подвешенного человека менее чем за 15 минут. Неспособность уложиться в этот промежуток времени подвергает сорвавшегося человека опасности.

5.1. Активация функции эвакуации (спасения).

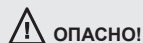
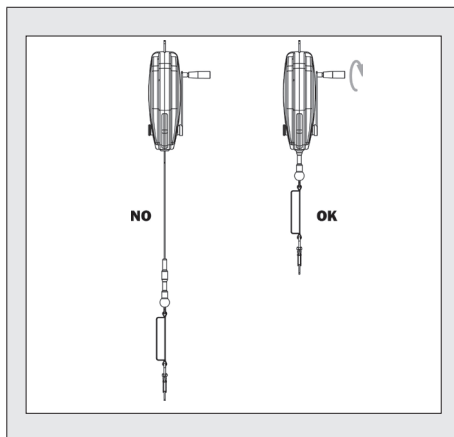
- (1) Нажмите на красную кнопку блокировки для активации функции эвакуации.
- (2) Для спасения оператора вытащите рукоятку и начните ее вращать:
 - вращайте рукоятку по часовой стрелке для того, чтобы поднять оператора,
 - вращайте рукоятку против часовой стрелки для того, чтобы спустить оператора ниже.



5.2. Возвращение к функции остановки падения

5.2.1 Обратное закручивание троса в устройство

По завершении спасательных работ закрутите трос в устройство, вращая рукоятку по часовой стрелке.



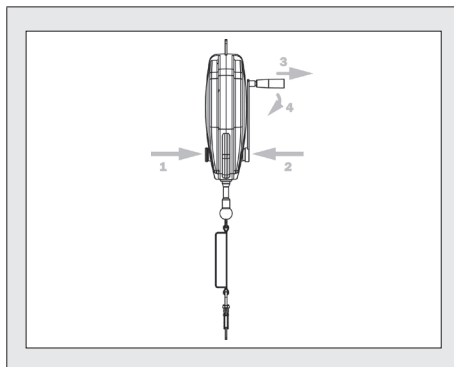
ОПАСНО!

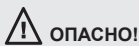
Не отключайте функцию эвакуации до тех пор, пока трос не будет полностью закручен в кожух, так как в обратном случае трос может закрутиться самостоятельно на опасно высокой скорости.

RU

5.2.2 Выключение функции эвакуации

- Для отключения лебедочного механизма нажмите одновременно на красную кнопку (1) и на ось рукоятки (2).
- Убедитесь, что рукоятка в это время установлена вертикально и ее ручка находится наверху.
- Потяните ручку (3) на себя и затем сложите ее (4).





ОПАСНО!

Подъемные операции с использованием устройства blocfor™ R

blocfor™ R не разрешается использовать для каких-либо других подъемных операций, кроме подъемных спасательных операций.

Лебедочная система предназначена только для спасательных операций.

На все время проведения спасательной операции между спасателем и другими лицами, участвующими в спасении, должен поддерживаться прямой или косвенный зрительный контакт или иное средство коммуникации.

Для спасательных операций рекомендуется использовать удобную страховочную привязь EN 813 (например Promast™, Transport, Rescue) или страховочную привязь, оснащённую спасательными ремнями EN 1497.

6. Категорически запрещается:

Следующее категорически запрещено:

- устанавливать или использовать страховочное устройство blocfor™ без соответствующего на то разрешения, инструктажа и компетенции; использовать без надзора компетентного лицензированного оператора, прошедшего инструктаж.
- использовать страховочное устройство вытягивающего типа blocfor™, если маркировка стерта.
- устанавливать или использовать страховочное устройство вытягивающего типа blocfor™, не прошедшее предварительную проверку.
- использовать страховочное устройство вытягивающего типа blocfor™, не проходившее на протяжении последних 12 месяцев периодическую проверку техником с выдачей письменного разрешения на использование оборудования.
- крепить страховочное устройство вытягивающего типа blocfor™ к точке, не проходившей на протяжении последних 12 месяцев периодическую проверку техником с выдачей письменного разрешения на ее использование.
- использовать страховочное устройство вытягивающего типа blocfor™ не по назначению (каким бы то ни было иным образом, чем систему предотвращения падения со встроенным втяжным механизмом для подъема оператора).
- присоединять страховочное устройство вытягивающего типа blocfor™ к узлу крепления, используя для этого какие-либо иные средства или оборудование.
- использовать страховочное устройство blocfor™ в нарушение правил, указанных в разделе «15. Срок службы».

- использовать страховочное устройство blocfor™ для предотвращения падения более, чем 1 оператора.
- закреплять страховочное устройство blocfor™ при нагрузке от 100 до 150 кг (общая масса оператора, снаряжения и оборудования) в случае, если один из элементов системы защиты от падения имеет более низкую максимальную рабочую нагрузку.
- использовать страховочное устройство вытягивающего типа blocfor™, если оно уже послужило для предотвращения падения человека.
- использовать страховочное устройство вытягивающего типа blocfor™ в качестве подвесного крепления на месте работы.
- использовать страховочное устройство вытягивающего типа blocfor™ в высоко коррозионной или взрывоопасной среде.
- использовать страховочное устройство вытягивающего типа blocfor™ вне температурного диапазона, указанного в данном руководстве.
- использовать страховочное устройство вытягивающего типа blocfor™, если запас высоты под работником в случае падения будет недостаточным.
- использовать страховочное устройство вытягивающего типа blocfor™, если кто-либо из пользователей находится в недостаточно хорошей физической форме.
- использовать страховочное устройство вытягивающего типа blocfor™ во время беременности.
- использовать страховочное устройство вытягивающего типа blocfor™, если функция защиты одного из его элементов нарушена в результате неисправности другого элемента или они несовместимы.
- отпускать фал страховочного устройства blocfor™, если он не полностью намотан (рис. 2.а).
- использовать страховочное устройство вытягивающего типа blocfor™ для крепления оборудования.
- присоединять страховочное устройство вытягивающего типа blocfor™ к структурному узлу крепления, допустимая нагрузка которого ниже 12 кН (или ее невозможно рассчитать).
- использовать страховочное устройство вытягивающего типа blocfor™ при углах более 20° в вертикальной плоскости (рис. 1.с).
- использовать фал страховочного устройства blocfor™ в качестве компонента системы строп.
- препятствовать выравниванию страховочного устройства вытягивающего типа blocfor™ по отношению к стропу.
- препятствовать свободной размотке и намотке фала страховочного устройства blocfor™.
- выполнять действия по ремонту или техническому обслуживанию страховочного устройства blocfor™, не пройдя предварительный инструктаж TRACTEL® и не имея письменного на то разрешения компании® (рис. 2.б).

RU

- использовать страховочное устройство втягивающего типа blocfog™ в неукomплектованном, предварительно разобранном или повторно собранном виде или в случае замены некоторых деталей лицом, не уполномоченным на совершение данных действий со стороны TRACTEL®.
- использовать страховочное устройство втягивающего типа blocfog™ 20R/30R 150 кг лицу, чья общая масса вместе с оборудованием и инструментами превышает 150 кг.
- поднимать груз с помощью страховочного устройства втягивающего типа blocfog™ 20R/30R.
- создавать на тросе провисающий участок при спускании работника во время операции спасения.

7. Установка

- По мере возможности, точка крепления к конструкции должна находиться выше оператора. Допустимая нагрузка точки крепления к конструкции должна составлять не менее 12 кН.
- Устройство следует присоединить к узлу крепления или к конструкции при помощи соединителя EN 362 или винта на анкерной консоли Tractel, предназначенной специально для устройства blocfog™ 20 и 30 R
- При соединении страховочного устройства со страховочной привязью см. инструкции по эксплуатации привязи и страховочного устройства для выбора правильной точки и метода крепления.

8. Компоненты и материалы

- Тросы: оцинкованная сталь
- Амортизатор: ПА+полиэфир-сульфон.
- Корпус: ПА/АБС-пластик или алюминий для моделей длиной в 30 м.
- Карабины: оцинкованная сталь

9. Дополнительное оборудование

В соответствии со стандартом EN 363, страховочное устройство втягивающего типа blocfog™ 20R/30R 150 кг является одним из компонентов системы защиты от падения с высоты, которая должна включать в себя:

- Анкеры (EN 795).
- Концевые карабины (EN 362).
- Систему защиты от падения (EN 360) с подъемной спасательной системой (EN 1496).
- Карабины (EN 362).
- Страховочные привязи (EN 361), (рекомендуется привязь с задней (наспинной) точкой крепления).

Любые иные элементы дополнительного оборудования запрещены.

10. Техническое обслуживание и хранение

- Если страховочное устройство втягивающего типа blocfog™ грязное, его следует вымыть чистой холодной водой, при необходимости с моющим средством для деликатных тканей, используя синтетическую щетку.
- Если страховочное устройство втягивающего типа blocfog™ намочило при использовании или осталось мокрым после мытья, ему нужно дать высохнуть естественным образом в защищенном от солнечного света и источников тепла месте.
- Перед транспортировкой и хранением устройства упакуйте его так, чтобы защитить его от влаги и повреждений (прямых источников тепла, химикатов, ультрафиолетового излучения и т. д.).
- Убедитесь, что функцию эвакуации можно должным образом активировать и отключить.
- Убедитесь что трос не имеет повреждений по всей длине.
- В случае загрязнения устройства обратитесь в компанию Tractel® или к одному из его дилеров.

11. Соответствие нормативам

Настоящим компания TRACTEL SAS (RD 619, Сен-Илер-су-Ромийи, F-10102 Ромийи-сюр-Сен, Франция) подтверждает, что оборудование для обеспечения безопасности, описанное в данной инструкции, соответствует оборудованию, протестированному на соответствие стандарту EN 1496(2017) компанией APAVE SUEUROPE SAS (CS 60193, 13322 Марсель, Франция).

12. Маркировка

Толкование наименования продукта:

V X R ESD Z

V – соответствует названию устройства (blocfog™)

X – тип устройства blocfog™ в данной линейке (20 R / 30 R)

R – Модель эвакуации (подъемное спасательное устройство, EN 1496)

ESD – общий термин для данной линейки

Z – Модель карабина на втягивающемся стропе

Например,

V20 R ESD M47

Страховочное устройство втягивающего типа blocfog™, модель с функцией эвакуации линейки ESD, типа 20, крепящееся карабином M47 к втягивающемуся стропу.

На этикетке каждого страховочного устройства вытягивающего типа blocfor™ указана следующая информация:

- a. Товарный знак: TRACTEL®;
- b. наименование изделия;
- c. номер соответствующего стандарта с указанием года его принятия;
- d. артикул изделия;
- e. логотип CE, за которым следует номер 0082, идентификационный номер уполномоченного органа, отвечающего за надзор за продукцией;
- f. год и неделя выпуска;
- g. серийный номер;
- h. символ, указывающий, что перед использованием изделия необходимо прочитать инструкцию по его эксплуатации;
- w. максимальная рабочая нагрузка;
- aa. дата следующей регулярной проверки.
- ab. минимальная допустимая нагрузка узла крепления.

13. Регулярная проверка и ремонт

Проверку необходимо выполнять ежегодно, однако в зависимости от частоты использования, погодных условий и нормативных актов предприятия или страны, в которой используется снаряжение, периодическую проверку можно проводить и чаще.

Периодическая проверка должна выполняться в соответствии с инструкциями производителя, изложенными в файле «TRACTEL®PPE inspection instructions» (Инструкции по проверке СИЗ компании TRACTEL®), уполномоченным компетентным специалистом.

В процессе периодического осмотра необходимо проверять четкость маркировки изделия.

По завершении периодической проверки выполнивший ее лицензированный компетентный специалист должен дать письменное разрешение на продолжение эксплуатации проверенного снаряжения. Передача изделия в эксплуатацию должна быть зафиксирована на контрольном листке, который находится в середине настоящей инструкции. Данный контрольный листок должен храниться на протяжении срока службы снаряжения вплоть до его утилизации.

После того как система сработала и предотвратила падение человека, необходимо подвергнуть ее регулярной проверке, как описано в данной статье. Необходимо заменить текстильные компоненты изделия, даже если на них нет видимых повреждений.

14. Срок службы

Текстильные СИЗ компании TRACTEL®, такие как страховочные привязи, стропы, канаты и амортизаторы, механические СИЗ компании TRACTEL®, такие как страховочные устройства stopcable™ и stopfor™, страховочные устройства вытягивающего типа blocfor™ и анкерные линии TRACTEL®, можно использовать при условии, что начиная со дня выпуска:

- оборудование используется в нормальных условиях согласно рекомендациям, приведенным в данной инструкции.
- оборудование подвергается регулярной проверке не реже одного раза в год, проверки выполняет утверждённое компетентное лицо. По завершении каждой такой регулярной проверки специалист, проверявший оборудование, должен письменно подтвердить возможность продолжения эксплуатации проверенных СИЗ.
- строго выполняются условия хранения и транспортировки, описанные в данной инструкции.

15. Утилизация

При утилизации изделия все его компоненты необходимо переработать. Для этого надо сначала рассортировать их на металлические и синтетические материалы. Эти материалы проходят переработку в специализированных учреждениях. При утилизации изделия к работам по демонтажу и разделению компонентов следует допускать только лиц, прошедших соответствующую подготовку.

RU

CDN**Tractel Ltd.**

11020 Mirabeau Street
 Montréal, QC H1J 2S3 Canada
 Phone: +1 514 493 3332
 Fax: +1 514 493 3342
 Email: tractel.canada@tractel.com

MEX**Tractel México S.A. de C.V.**

Galileo #20, Oficina 504.
 Colonia Polanco
 Mexico, D.F. CP. 11560
 Phone: +52 55 6721 8719
 Fax: +52 55 6721 8718
 Email: tractel.mexico@tractel.com

USA**Tractel Inc.**

51 Morgan Drive
 Norwood, MA 02062 USA
 Phone: +1 781 401 3288
 Fax: +1 781 826 3642
 Email: tractel.usa-east@tractel.com

168 Mason way Unit B2
 City of Industry, CA 91746
 Phone: +1 626 937 6727
 Fax: +1 626 937 6730
 Email: tractel.usa-west@tractel.com

Safety Product Group

4064 Peavey Road
 Chaska, MN 55318 USA
 Phone: +1 866 933 2935
 Email: info@safetypg.com

Bluewater

4064 Peavey Road
 Chaska, MN 55318 USA
 Phone: +1 866 579 3965
 Email: info@bluewater-mfg.com

Fabenco, Inc

2002 Karbach St.
 Houston, Texas 77092
 Phone: +1 713 686 6620
 Fax: +1 713 688 8031

D A**Tractel Greifzug GmbH**

Scheidtbackstrasse 19-21
 51469 Bergisch Gladbach
 Germany
 Phone: +49 22 02 10 04-0
 Fax: +49 22 02 10 04 70
 Email: info.greifzug@tractel.com

E**Tractel Ibérica S.A.**

Carretera del Medio, 265
 08907 L'Hospitalet del Llobregat
 (Barcelona) Spain
 Phone : +34 93 335 11 00
 Fax : +34 93 336 39 16
 Email: infotib@tractel.com

F**Tractel S.A.S.**

RD619 Saint-Hilaire-sous-Romilly
 BP 38
 10102 Romilly-sur-Seine France
 Phone: +33 3 25 21 07 00
 Fax: +33 3 25 21 07 11
 Email: info.tsas@tractel.com

Tractel Solutions SAS

77-79 rue Jules Guesde
 69230 St Genis-Laval France
 Phone: +33 4 78 50 18 18
 Fax: +33 4 72 66 25 41
 Email: info.tractelsolutions@tractel.com

GB IRL**Tractel Limited**

Old Lane Halfway
 Sheffield S20 3GA United
 Kingdom
 Phone: +44 114 248 22 66
 Fax: +44 114 247 33 50
 Email: info@tractel.co.uk

I**Tractel Italiana SpA**

Viale Europa 50
 Cologno Monzese (Milano)
 20093 Italy
 Phone: +39 02 254 47 86
 Fax: +39 02 254 71 39
 Email: infoit@tractel.it

NL B DK L**Tractel Benelux BV**

Paardeweide 38
 Breda 4824 EH The Netherlands
 Phone: +31 76 54 35 135
 Fax: +31 76 54 35 136
 Email: sales.benelux@tractel.nl

P ANG MOC**Lusotractel Lda**

Bairro Alto Do Outeiro Armazém 1
 Trajouce, 2785-653 S. Domingos
 de Rana Portugal
 Phone: +351 214 459 800
 Fax: +351 214 459 809
 Email: comercial.lusotractel@tractel.com

PL**Tractel Polska Sp. z.o.o.**

ul. Byslawska 82
 Warszawa 04-993 Poland
 Phone: +48 22 616 42 44
 Fax: +48 22 616 42 47
 Email: tractel.polska@tractel.com

FIN**Scanclimber Oy**

Turkkirata 26
 FI - 33960
 PIRKKALA, Finland
 Phone: +358 10 680 7000
 Fax: +358 10 680 7033
 E-mail: marketing@scanclimber.com

RUS**Tractel Russia, O.O.O.**

Olympiysky prospect 38, office
 411
 Mytishchi, Moscow region
 141006 Russia
 Phone: +7 495 989 5135
 E-mail: info.russia@tractel.com

CHN**Shanghai Tractel****Mechanical Equip. Tech. Co. Ltd.**

2nd floor, Block 1, 3500 Xiupu
 road, Kangqiao, Pudong,
 Shanghai-People's Republic of China
 Phone: +86 21 6322 5570
 Fax : +86 21 5353 0982

SGP BRU CL MAL**RI****Tractel Singapore Pte Ltd**

50 Woodlands Industrial Park E7
 Singapore 757824
 Phone: +65 6757 3113
 Fax: +65 6757 3003
 Email: enquiry@tractelsingapore.com

TURKEY**TR****Knot Yapı ve İş Güvenliği San. Tic. A.Ş.**

Cevizli Mh. Tugay Yolu CD.
 Nuvo Dragos Sitesi
 A/120 Kat.11 Maltepe
 34846 Istanbul TURKEY
 Phone: +90 216 377 13 13
 Fax: +90 216 377 54 44
 Email: info@knot.com.tr

ANY OTHER COUNTRIES:**Tractel S.A.S.**

RD619 Saint-Hilaire-sous-Romilly
 BP 38
 10102 Romilly-sur-Seine France
 Phone: +33 3 25 21 07 00
 Fax: +33 3 25 21 07 11
 Email: info.tsas@tractel.com