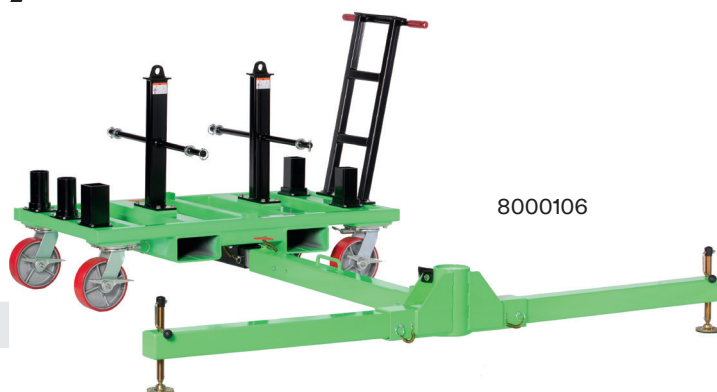


# 3M™ DBI-SALA® Counterweight Base High Capacity with Cart

**Part Number(s):** 8000106  
**Product Type:** Counterweight Base High Capacity with Cart



See page 2 for dimensions

## Description

<b>Sub-brand:</b>	DBI-SALA®
<b>Industry:</b>	Various confined space
<b>Applications:</b>	<ul style="list-style-type: none"> <li>• Fall arrest</li> <li>• Rescue</li> <li>• Access</li> </ul>

## Features

<b>Base Material:</b>	<ul style="list-style-type: none"> <li>• Front base: Aluminium 6061-T6, powder coat painted</li> <li>• Cart: Steel, powder coat painted</li> </ul>
<b>Capacity:</b>	<ul style="list-style-type: none"> <li>• Fall arrest: 2 users (140 kg max. each)</li> <li>• Load 205 kg</li> <li>• Rescue: 1 user (140 kg max.)</li> </ul>
<b>Net Weight:</b>	<ul style="list-style-type: none"> <li>• 241 kg (total unit without weights)</li> <li>• 206 kg (cart only without weights)</li> <li>• 606 kg (cart only with weights for short reach davit)</li> <li>• 926 kg (cart only with weights for long reach davit)</li> </ul>
<b>Mast Rotation:</b>	360° (*)
<b>Operating Temperature:</b>	-40°C to +60°C
<b>Standards:</b>	<ul style="list-style-type: none"> <li>• CE EN795:2012 Type B</li> <li>• EN1496:2006 Class B</li> <li>• CEN/TS16415:2013 Type B</li> <li>• AS/NZS 5532:2013</li> </ul>
<b>Cart Features:</b>	<ul style="list-style-type: none"> <li>• Non marking urethane wheels with swivel locks and brakes.</li> <li>• Forklift pockets for transporting with forklift.</li> <li>• 2 Lifting rings for transporting with overhead crane.</li> <li>• Mast and base storage on the cart.</li> </ul>
<b>Weight Plates:</b>	Use with weight plates with a bar opening of 25.4 mm - 38.1 mm, max. thickness of 36.5 mm and max diameter of 457.2 mm. (ref 8000123).



Model Shown: 8000123

## Compatibility with other davit HC component (\*)

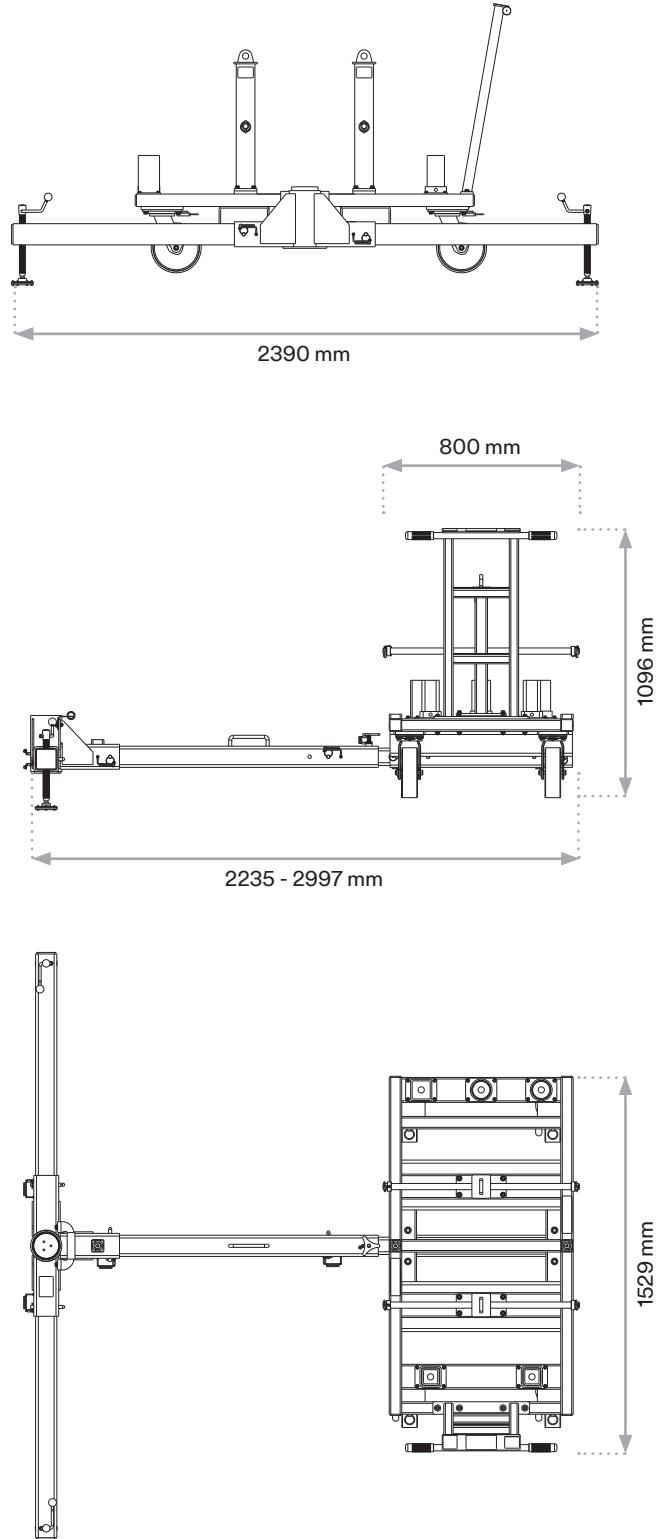
<b>Davit Arm:</b>	Suitable for use with short or long reach davit arm HC
<b>Mast Extension:</b>	Only 1 davit mast extension can be used

## Structure and load requirements (\*)

<b>Structure:</b>	<ul style="list-style-type: none"> <li>• Structures capable of withstanding a 13.79 kN (3 100 lb) vertical load.</li> <li>• Levelling feet for uneven surfaces.</li> </ul>
<b>Weight Loading Requirements</b>	<ul style="list-style-type: none"> <li>• 20 × 20 kg athletic weight plates (ref 8000123) for short reach davit HC use.</li> <li>• 36 × 20 kg athletic weight plates (ref 8000123) for long reach davit HC use.</li> </ul>

\*See Instructions For Use (IFU)

# Counterweight Base High Capacity with Cart.



## 3M Fall Protection

Capital Safety (Northern Europe) Limited  
3M Centre, Cain Road  
Bracknell, Berkshire, RG12 8HT, UK

Email [informationfallprotection@mmm.com](mailto:informationfallprotection@mmm.com)

3M, DBI-SALA, belongs to 3M Company and its affiliates.

## Capital Safety Group (EMEA)

Le Broc Center, Bâtiment A, Z.1. 1re Avenue – BP15  
06511 Carros Le Broc, Cedex, FRANCE

Web [3M.com/FallProtection](http://3M.com/FallProtection)



Fall Protection

---

## Important Notice

The mounting and use of the product described within this document assumes that the user has previous experience of this type of product and that it will be assembled by a competent professional according to product documentation. Before any use of this product it is recommended to complete some trials to validate the performance of the product within its expected application.

All information and specification details contained within this document are inherent to this specific 3M product and would not be applied to other products or environment. Any action or usage of this product made in violation of this document is at the risk of the user.

Compliance to the information and specification relative to the product contained within this document does not exempt the user from compliance with additional guidelines (safety rules, procedures). Compliance to operational requirements especially in respect to the environment and usage of tools with this product must be observed. The 3M Group (who cannot verify or control these elements) would not be held responsible for the consequences of any violation of these rules which remain external to its decision and control.

Warranty conditions for products are determined with the sales contract documents and with the mandatory and applicable law, excluding any other warranty or compensation.

### 3M Fall Protection

**Capital Safety (Northern Europe) Limited**  
3M Centre, Cain Road  
Bracknell, Berkshire, RG12 8HT, UK

**Capital Safety Group (EMEA)**  
Le Broc Center, Bâtiment A, Z.1. 1re Avenue – BP15  
06511 Carros Le Broc, Cedex, FRANCE

Email [informationfallprotection@mmm.com](mailto:informationfallprotection@mmm.com) Web [3M.com/FallProtection](http://3M.com/FallProtection)

3M, DBI-SALA, belongs to 3M Company and its affiliates.



Fall Protection